



Chipsmall Limited consists of a professional team with an average of over 10 year of expertise in the distribution of electronic components. Based in Hongkong, we have already established firm and mutual-benefit business relationships with customers from,Europe,America and south Asia,supplying obsolete and hard-to-find components to meet their specific needs.

With the principle of "Quality Parts,Customers Priority,Honest Operation,and Considerate Service",our business mainly focus on the distribution of electronic components. Line cards we deal with include Microchip,ALPS,ROHM,Xilinx,Pulse,ON,Everlight and Freescale. Main products comprise IC,Modules,Potentiometer,IC Socket,Relay,Connector.Our parts cover such applications as commercial,industrial, and automotives areas.

We are looking forward to setting up business relationship with you and hope to provide you with the best service and solution. Let us make a better world for our industry!



## Contact us

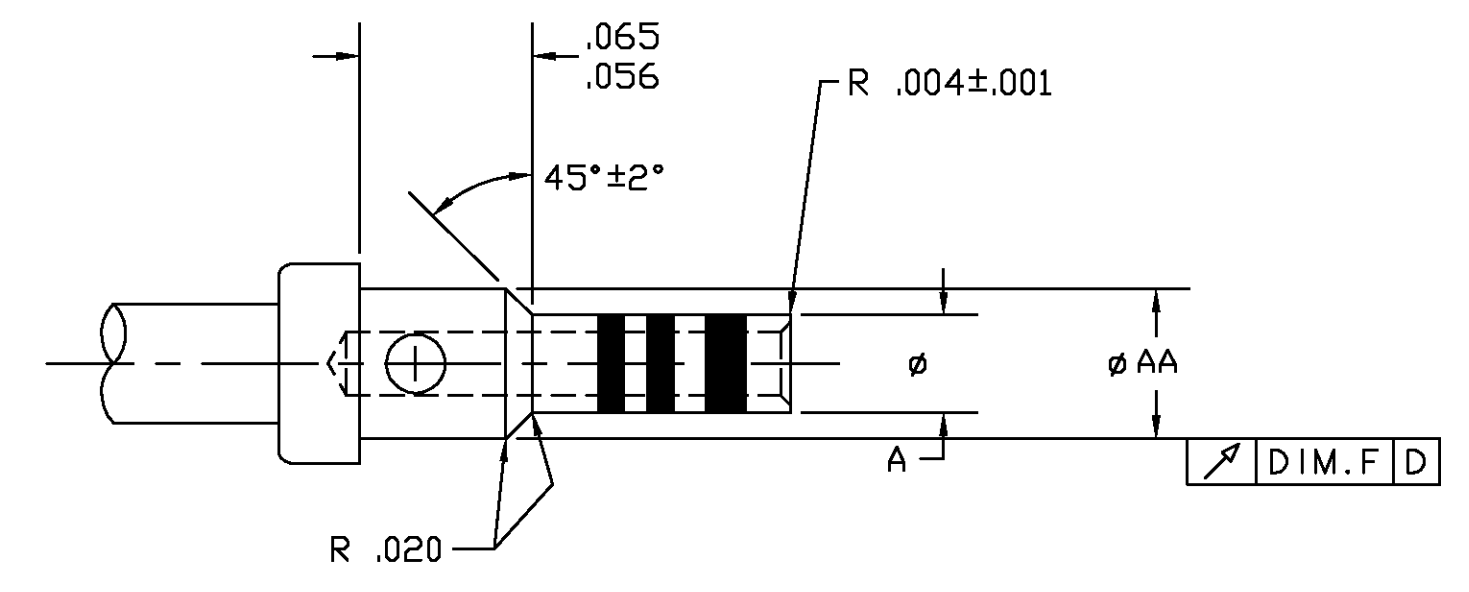
Tel: +86-755-8981 8866 Fax: +86-755-8427 6832

Email & Skype: info@chipsmall.com Web: www.chipsmall.com

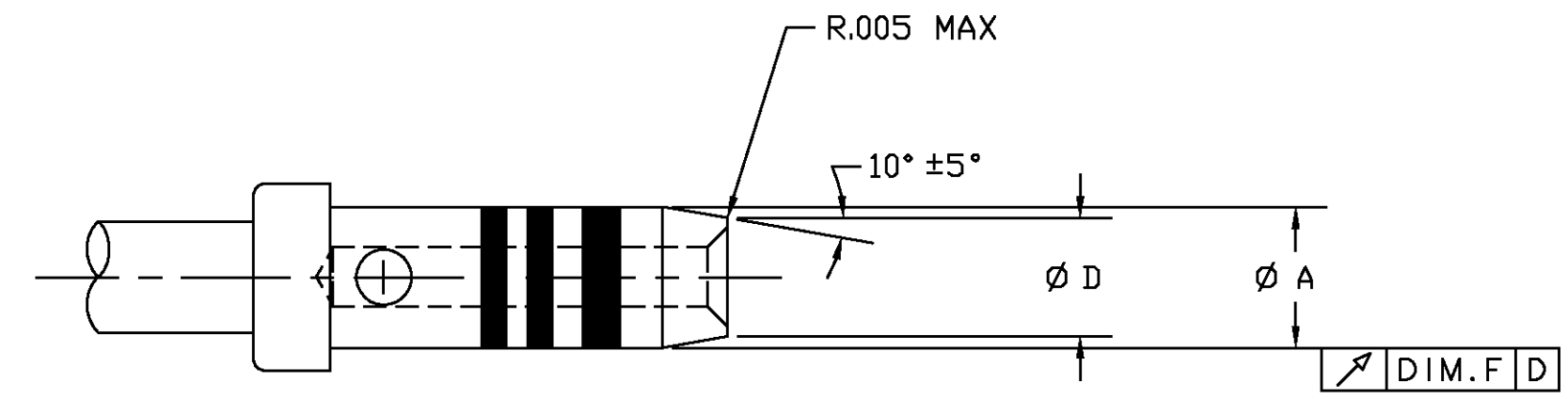
Address: A1208, Overseas Decoration Building, #122 Zhenhua RD., Futian, Shenzhen, China



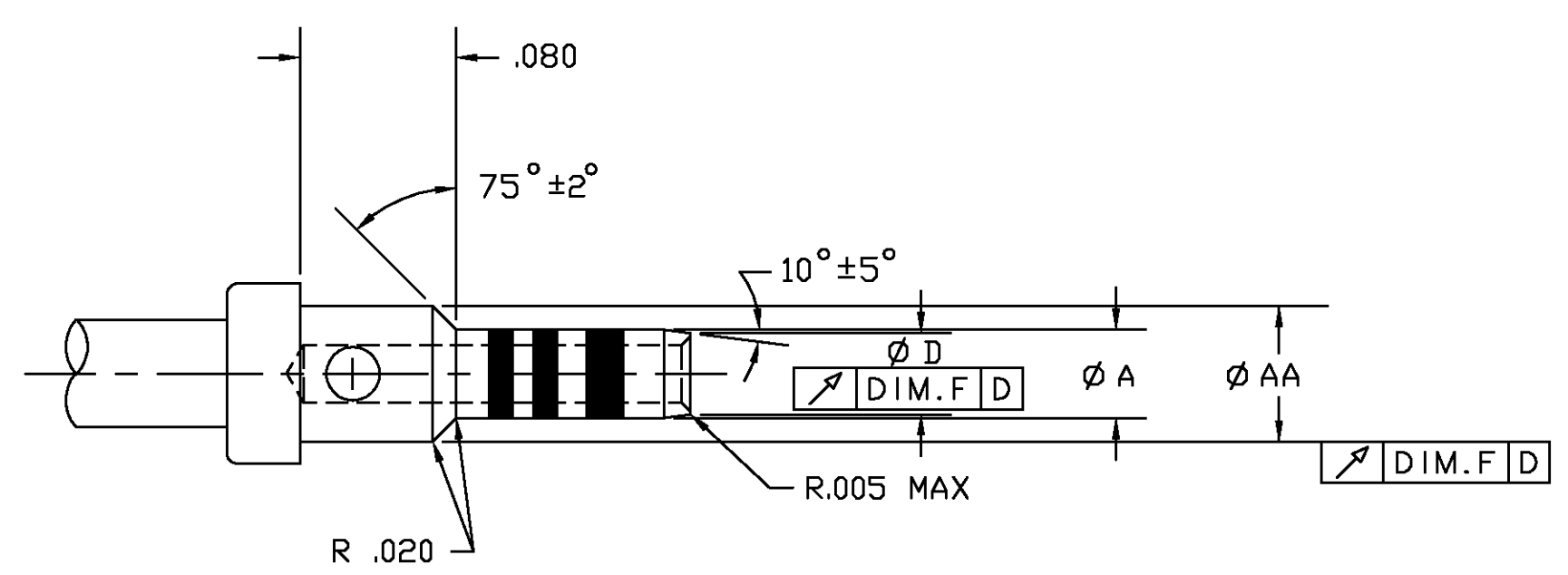
LOC		DIST	
P	F	DF	AD
REVISIONS			
ZONE	LTR	DESCRIPTION	DATE
D		RELEASE OF NEW PRODUCT	03/95 NF
A		REV PER 0600-8213-99 JB	03-99 DM



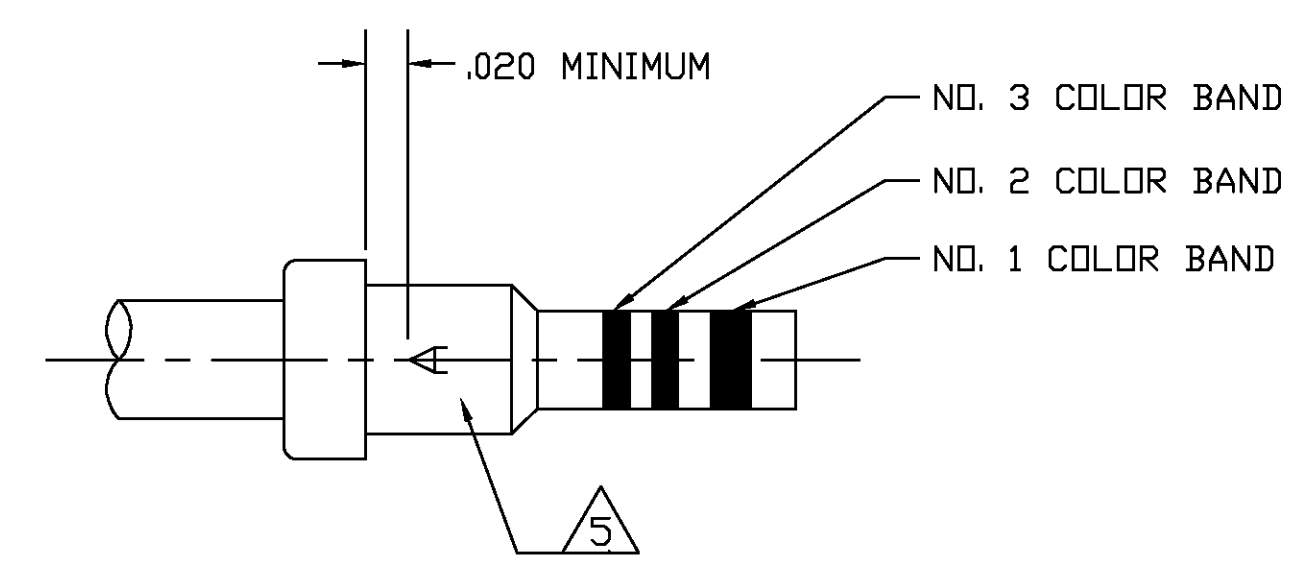
3-592404-1  
SIZE 22



1-592404-1  
SIZE 16

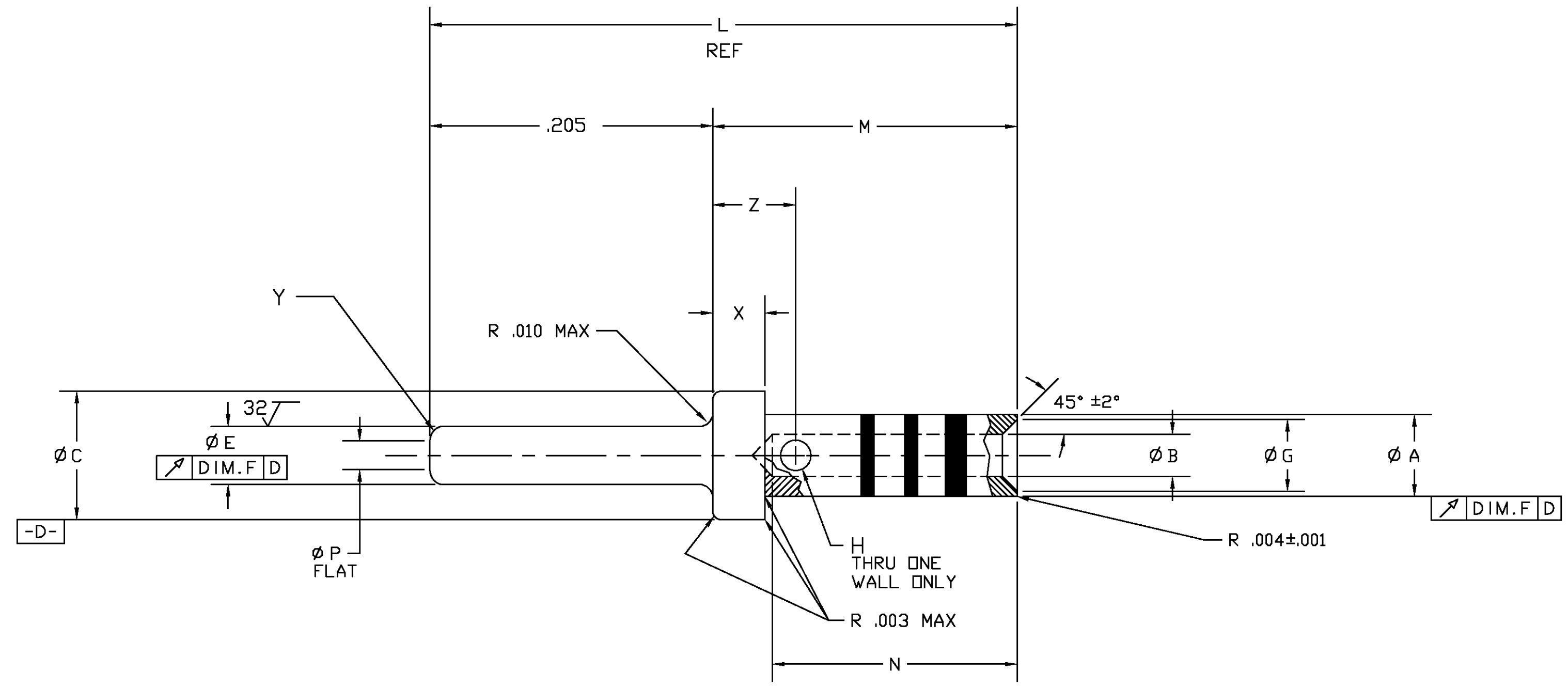


592404-1  
SIZE 12



BAND IDENTIFICATION  $\triangle 3$

- $\triangle 1$  FINISH: GOLD PLATE PER MIL-G-45204, TYPE I, GRADE C .000050/.000100 THK OVER NICKEL PER QQ-N-290, MATTE FINISH .000050/.000150 THK.
- $\triangle 2$  MATERIAL: BRASS PER ASTM B 16, 1/2 H
- $\triangle 3$  CONTACTS SHALL BE COLOR CODED WITH THREE BANDS ON CRIMP BARREL AT APPROXIMATE LOCATION SHOWN.
- $\triangle 4$  MATERIAL: LEADED COPPER PER ASTM-B-301, CONDITION H.
- $\triangle 5$  GOTHIC 'A' .016±.002 HIGH STAMPED .001/.002 DEEP.



2-592404-1  
SIZE 20

$\triangle 2$	BLACK	BLACK	BROWN	.017/.032	.124	.025	.005	---	.076/.078	.057/.063	.015/.025	.029/.033	.157/.186	.211/.215	.418	.018/.022	.042/.046	.061/.063	.100/.103	.035/.037	.048/.051	3-592404-1
$\triangle 2 \triangle 4$	BROWN	BLACK	BROWN	.017/.032	.124	.025	.005	---	---	.057/.063	.015/.025	.029/.033	.157/.186	.211/.215	.418	.026/.032	.060/.064	.061/.063	.100/.103	.048/.050	.076/.078	2-592404-1
$\triangle 2$	RED	BLACK	BROWN	.024/.039	.144	.050	.006	.086/.092	---	.073/.079	.025/.035	.044/.048	.250/.281	.294/.298	.501	.036/.042	.080/.090	.076/.078	.130/.133	.066/.068	.101/.105	1-592404-1
$\triangle 2$	ORANGE	BLACK	BROWN	.047/.062	.094	.050	.006	.130/.136	.155/.158	.073/.079	.035/.045	.044/.048	.250/.281	.294/.298	.501	.036/.042	.115/.125	.093/.095	.187/.190	.098/.102	.147/.153	592404-1
MATERIAL	COLOR BAND NO. 3	COLOR BAND NO. 2	COLOR BAND NO. 1	DIM. P	DIM. J	DIM. K	DIM. F	DIM. D	DIM. AA	DIM. Z	DIM. Y	DIM. X	DIM. N	DIM. M	DIM. L	DIM. H	DIM. G	DIM. E	DIM. C	DIM. B	DIM. A	PART NO.

DO NOT SCALE PRINT. UNLESS OTHERWISE SPECIFIED DIMENSIONS ARE IN INCHES. TOLERANCES IN: 2 PLC DEC ± --- 3 PLC DEC ± .005 ANGLES ± ---		CONTRACT NO DR N. FRITZ CHK J. HARMAN APPD J. HARMAN APPD S. WRIGHT DSGN APPD OTHER APPD		PART NO NAME CONTACT, PIN CRIMP TYPE SIZE D FSCM NO 00779 DRAWING NO 592404 SCALE 10: 1 SHEET 1 OF 1	
MATERIAL SEE TABLE FINISH $\triangle 1$		AMP INCORPORATED Harrisburg, Pa. 17105		CUSTOMER DRAWING	