



Chipsmall Limited consists of a professional team with an average of over 10 year of expertise in the distribution of electronic components. Based in Hongkong, we have already established firm and mutual-benefit business relationships with customers from,Europe,America and south Asia,supplying obsolete and hard-to-find components to meet their specific needs.

With the principle of "Quality Parts,Customers Priority,Honest Operation,and Considerate Service",our business mainly focus on the distribution of electronic components. Line cards we deal with include Microchip,ALPS,ROHM,Xilinx,Pulse,ON,Everlight and Freescale. Main products comprise IC,Modules,Potentiometer,IC Socket,Relay,Connector.Our parts cover such applications as commercial,industrial, and automotives areas.

We are looking forward to setting up business relationship with you and hope to provide you with the best service and solution. Let us make a better world for our industry!



Contact us

Tel: +86-755-8981 8866 Fax: +86-755-8427 6832

Email & Skype: info@chipsmall.com Web: www.chipsmall.com

Address: A1208, Overseas Decoration Building, #122 Zhenhua RD., Futian, Shenzhen, China

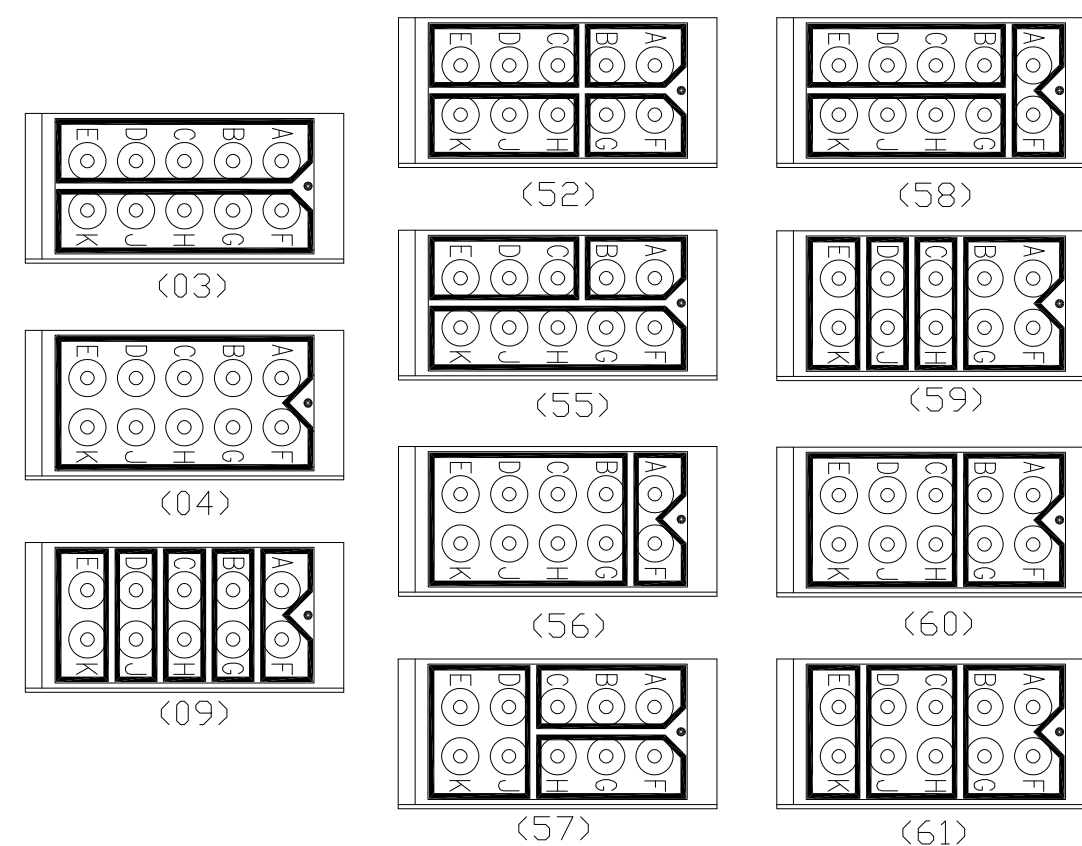
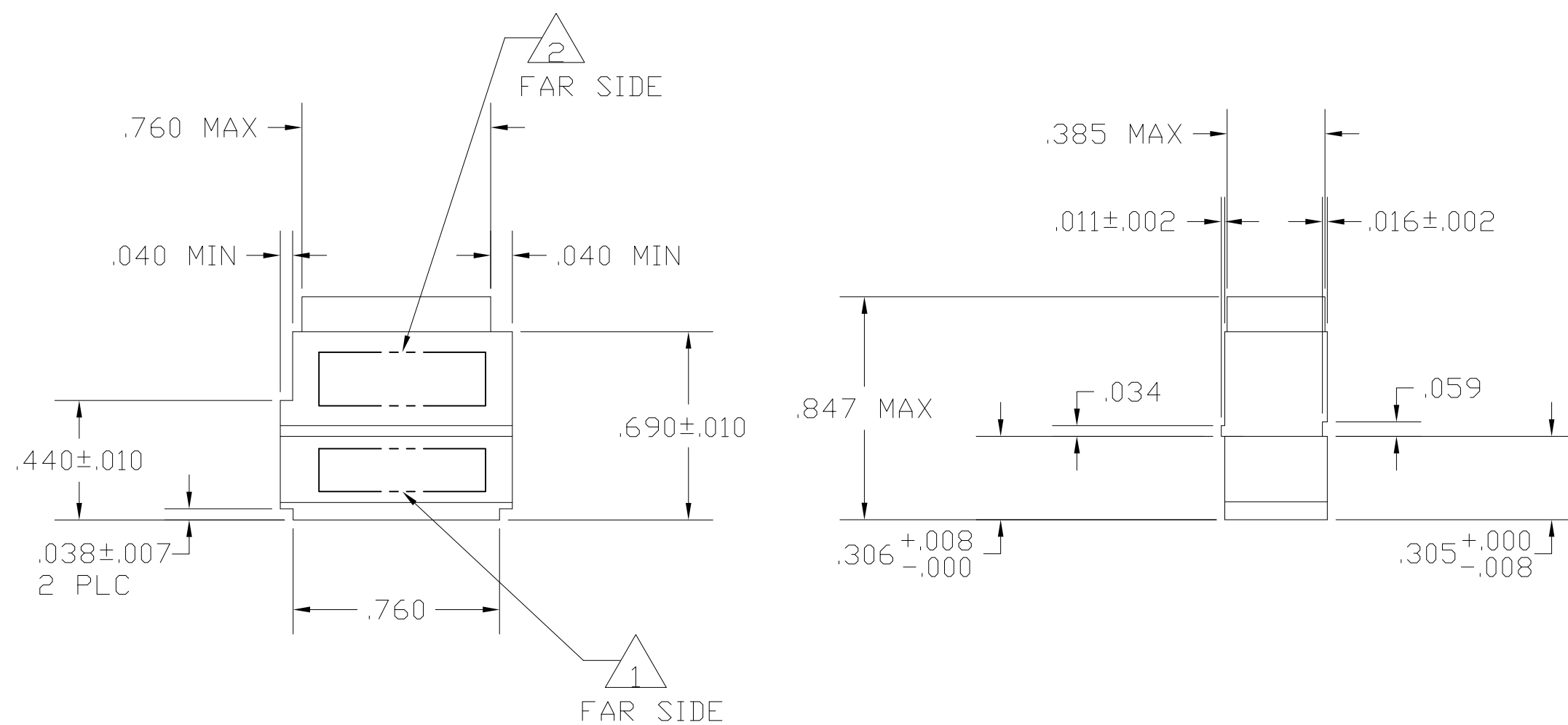
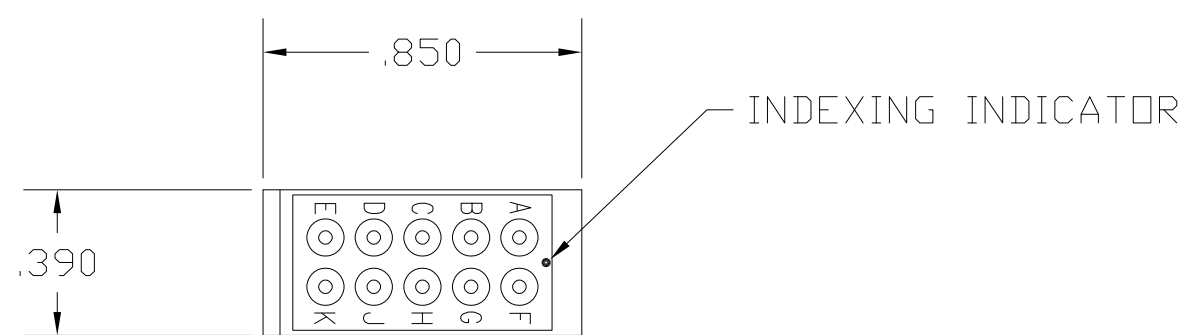


THIS DRAWING IS UNPUBLISHED. RELEASED FOR PUBLICATION , 19

© COPYRIGHT 19 BY ALL INTERNATIONAL RIGHTS RESERVED

REVISIONS						
P	F	ZONE	LTR	DESCRIPTION	DATE	APPROVED
			A1	REVISED PER ECO-11-005030	21MAR11	HMR

DESCRIPTION	MATERIAL	FINISH
MODULE ASSEMBLY	EPOXY EPIALL 1908-B, 703381-1 OR E-484, 703510-1 OR FIBERITE E-8354, 18756-1	COLOR: BLACK
GROMMET	FLUORSILICONE BLEND	COLOR: BLUE
CONTACT SOCKET	BERYLLIUM COPPER ASTM-B194	GOLD PLATE PER MIL-G-45204
RETAINING CLIP	BERYLLIUM COPPER ASTM-B194 OR STAINLESS STEEL PER QQ-S-766	NONE
CONTACTS	COPPER ALLOY PER MIL-C-39029/1	GOLD PLATE PER MIL-G-45204
SEALING PLUGS	F.E.P. PER MIL-P-19468	COLOR: RED



BUSSING ARRANGEMENTS $\triangle 3$

- $\triangle 4$ CONTACTS AND SEALING PLUGS ARE PACKAGED SEPARATELY WHEN REQUIRED.
- $\triangle 3$ BUSSING ARRANGEMENT OUTLINE DENOTES INTERNAL ARRANGEMENT OF SOCKET CONTACTS.
- $\triangle 2$ MARK MODULE ASSEMBLY WITH CUSTOMER PART NO., MILITARY PART NO. IF REQUIRED .060 MINIMUM HIGH CHARACTERS AT APPROXIMATE AREA SHOWN.
- $\triangle 1$ MARK MODULE ASSEMBLY WITH "AMP", PART NO. AND DATE CODE .060 MINIMUM HIGH CHARACTERS AT APPROXIMATE AREA SHOWN.


DO NOT SCALE PRINT. UNLESS OTHERWISE SPECIFIED DIMENSIONS ARE IN INCHES. TOLERANCES ON: 2 PLC DEC ± --- 3 PLC DEC ± .005 ANGLES ± ---		CONTRACT NO DR T. THOMPSON 06-24-94 CHK J. HARMAN 7-7-94 APPD J. HARMAN 7-7-94 APPD S. WRIGHT 7-7-94 DSGN APPD OTHER APPD		PART NO	
MATERIAL		FINISH		TE Connectivity NAME MODULE, FEED-BACK SIZE 20 ASSEMBLY TJ	
		SIZE C	FSCM NO 00779	DRAWING NO 592624	
		SCALE 2 : 1		SHEET 1 OF 2	

THIS DRAWING IS UNPUBLISHED. RELEASED FOR PUBLICATION , 19

© COPYRIGHT 19 BY ALL INTERNATIONAL RIGHTS RESERVED

REVISIONS						
P	F	ZONE	LTR	DESCRIPTION	DATE	APPROVED
		-	-	--- SEE SHEET ONE ---	-	-

M81714/2-DC2						X				X	X	2-592624-2
	X											2-592624-1
	X									X	X	2-592624-0
		X										1-592624-9
M81714/2-DB3		X								X	X	1-592624-8
			X									1-592624-7
			X							X	X	1-592624-6
				X								1-592624-5
				X						X	X	1-592624-4
					X							1-592624-3
M81714/2-DC1					X					X	X	1-592624-2
						X						1-592624-1
M81714/2-DB2						X				X	X	1-592624-0
							X					592624-9
								X				592624-8
M81714/2-DD1								X		X	X	592624-7
									X			592624-6
M81714/2-DE1									X	X	X	592624-5
												592624-4
M81714/2-DA1									X	X	X	592624-3
												592624-2
M81714/2-DB1									X	X	X	592624-1
MARKING	6160595857565552090403						SEALING PLUG QTY 2		CONTACTS QTY 11		PART NO.	
	BUSSING ARRANGEMENTS											

DO NOT SCALE PRINT. UNLESS OTHERWISE SPECIFIED DIMENSIONS ARE IN INCHES. TOLERANCES ON: 2 PLC DEC ± — 3 PLC DEC ± — ANGLES ± —		CONTRACT NO		 TE Connectivity NAME MODULE, FEED-BACK SIZE 20 ASSEMBLY TJ							
MATERIAL		DR T. THOMPSON 06-24-94									
FINISH		CHK J. HARMAN 7-7-94		SIZE C		FSCM NO 00779		DRAWING NO 592624		SHEET 2 OF 2	
		APPD J. HARMAN 7-7-94		SCALE 1 : 1							
		APPD S. WRIGHT 7-7-94		OTHER APPD							
		DSGN APPD									