



Chipsmall Limited consists of a professional team with an average of over 10 year of expertise in the distribution of electronic components. Based in Hongkong, we have already established firm and mutual-benefit business relationships with customers from,Europe,America and south Asia,supplying obsolete and hard-to-find components to meet their specific needs.

With the principle of “Quality Parts,Customers Priority,Honest Operation,and Considerate Service”,our business mainly focus on the distribution of electronic components. Line cards we deal with include Microchip,ALPS,ROHM,Xilinx,Pulse,ON,Everlight and Freescale. Main products comprise IC,Modules,Potentiometer,IC Socket,Relay,Connector.Our parts cover such applications as commercial,industrial, and automotives areas.

We are looking forward to setting up business relationship with you and hope to provide you with the best service and solution. Let us make a better world for our industry!



## Contact us

Tel: +86-755-8981 8866 Fax: +86-755-8427 6832

Email & Skype: info@chipsmall.com Web: www.chipsmall.com

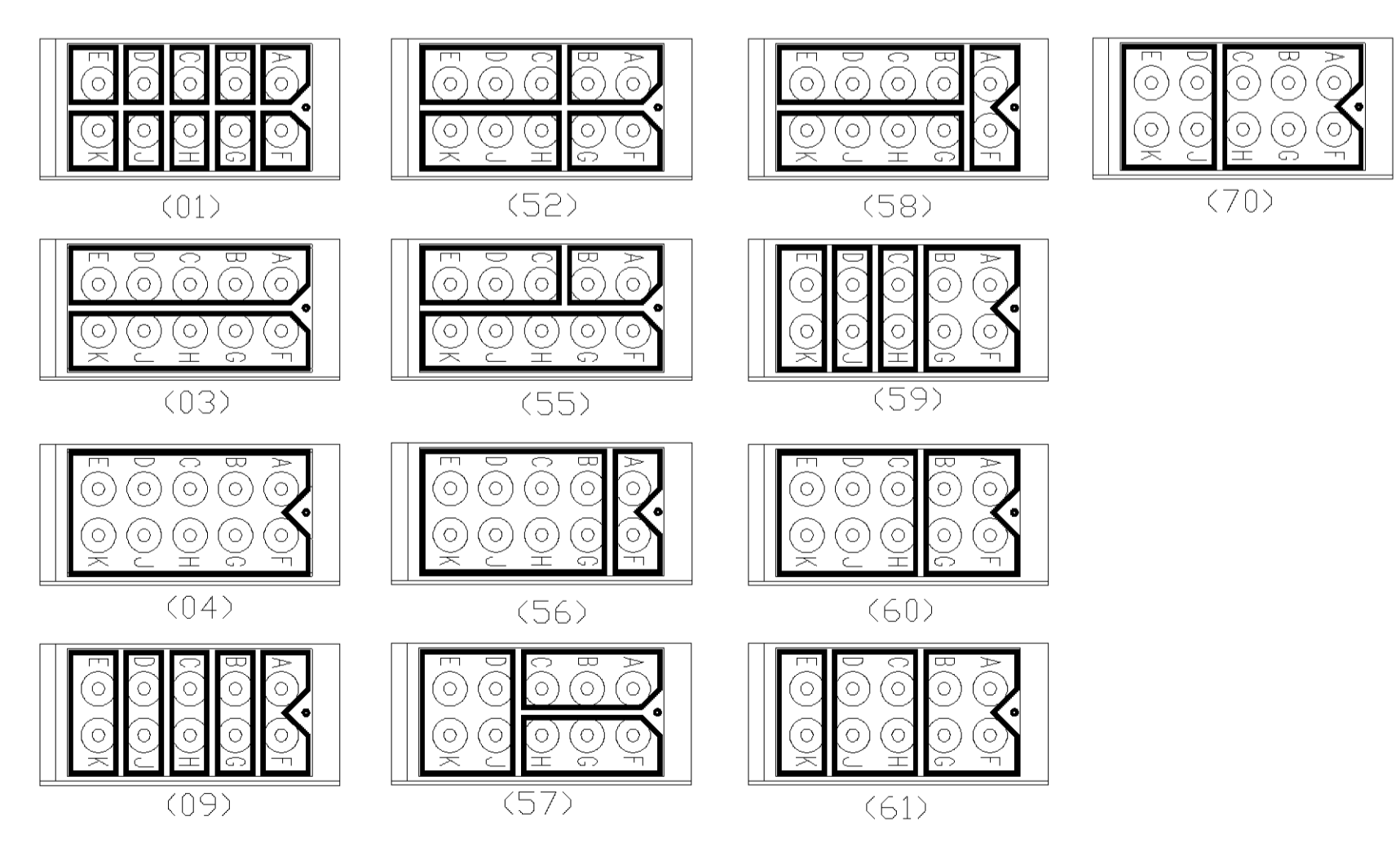
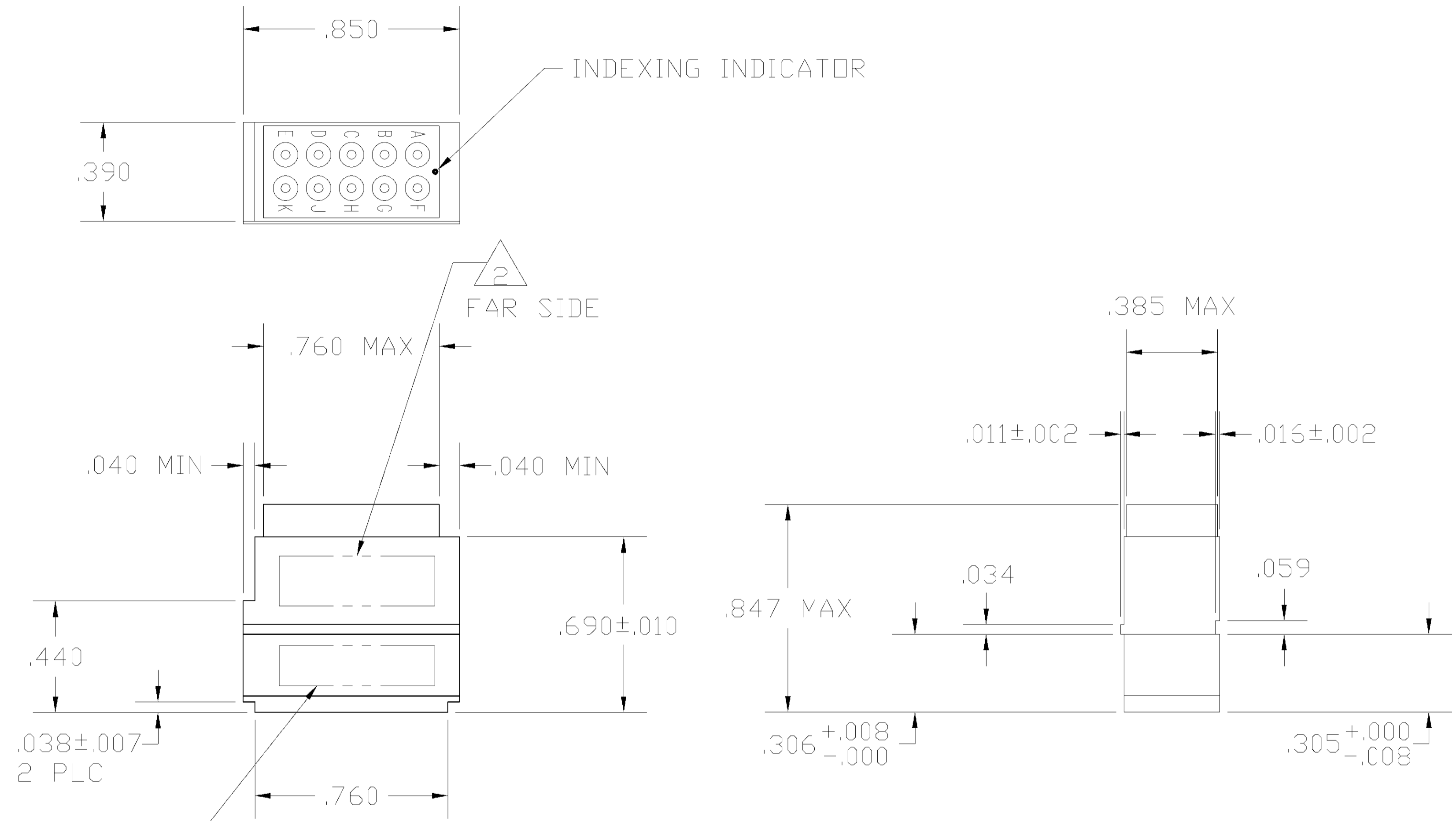
Address: A1208, Overseas Decoration Building, #122 Zhenhua RD., Futian, Shenzhen, China



DESCRIPTION	MATERIAL	FINISH
MODULE ASSEMBLY	D.A.P. PER MIL-M14 TYPE SDG-F	COLOR: GREEN
GROMMET	FLUORSILICONE RUBBER 70/30 BLEND	COLOR: GREEN
CONTACT SOCKET	BERYLLIUM COPPER PER QQ-C-533	GOLD PLATE PER MIL-G-45204
RETAINING CLIP	BERYLLIUM COPPER PER QQ-C-533 OR STAINLESS STEEL PER QQ-S-766	NONE
CONTACTS	COPPER ALLOY PER MIL-C-39029/1	GOLD PLATE PER MIL-G-45204
SEALING PLUGS	F.E.P. PER MIL-P-19468	COLOR: RED

- 3 BUSSING ARRANGEMENT OUTLINE DENOTES INTERNAL ARRANGEMENT OF CONTACT SOCKETS.
- 2 MARK MODULE ASSEMBLY WITH CUSTOMER PART NO., MILITARY PART NO. IF REQUIRED .060 MINIMUM HIGH CHARACTERS AT APPROXIMATE AREA SHOWN.
- 1 MARK MODULE ASSEMBLY WITH "AMP", AMP PART NO. AND DATE CODE .060 MINIMUM HIGH CHARACTERS AT APPROXIMATE AREA SHOWN.

LOC	DIST	REV	DATE	BY	APPD
DF	AO	A	1-02	CT	DM



ST257T20M				X					X	X	4-592625-3
ST257T20L					X				X	X	4-592625-2
ST257T20K						X			X	X	4-592625-1
ST257T20G		X							X	X	4-592625-0
ST257T20J								X	X	X	3-592625-9
ST257T20H								X	X	X	3-592625-8
ST257T20N								X	X	X	3-592625-7
37210-2	X								X	X	3-592625-6
37210-1		X							X	X	3-592625-5
MRTB20E60		X									3-592625-4
MRTB20E56					X						3-592625-3
MRTB20E55						X					3-592625-2
MRTB20E52							X				3-592625-1
MRTB20E09								X			3-592625-0
MRTB20E04									X		2-592625-9
MRTB20E03										X	2-592625-8
MRTB20E57				X							2-592625-7
	X										2-592625-6
	X								X	X	2-592625-5
		X									2-592625-4
	X								X	X	2-592625-3
		X									2-592625-2
538121-28											2-592625-1
M81714/2-AB3			X						X	X	2-592625-0
				X							1-592625-9
					X				X	X	1-592625-8
											1-592625-7
538121-29									X	X	1-592625-6
M81714/2-AC1				X					X	X	1-592625-5
538121-27							X				1-592625-4
M81714/2-AB2								X		X	1-592625-3
538121-30								X			1-592625-2
M81714/2-AC2									X	X	1-592625-1
538121-31											1-592625-0
M81714/2-AD1									X	X	592625-9
538121-32											592625-8
M81714/2-AE1									X	X	592625-7
538121-25											592625-6
M81714/2-AA1									X	X	592625-5
											592625-4
M81714/2-AB1									X	X	592625-3
											592625-2
									X	X	592625-1

SUPERSEDED BY 1-592624-8

SUPERSEDED BY 1-592624-2

SUPERSEDED BY 1-592624-0

SUPERSEDED BY 2-592624-2

SUPERSEDED BY 592624-7

SUPERSEDED BY 592624-5

SUPERSEDED BY 592624-3

SUPERSEDED BY 592624-1

MARKING	70616059585756555209040301	SEALING PLUG QTY 2	CONTACTS QTY 11	PART NO.
	BUSSING ARRANGEMENTS			

BUSSING ARRANGEMENTS 3

THIS DRAWING IS A CONTROLLED DOCUMENT.		DWG: C. C. THOMAS 31JAN2002		Tyco Electronics Corporation	
DIMENSIONS: INCHES		TOLERANCES UNLESS OTHERWISE SPECIFIED:		Harrisburg, Pa. 17105-3608	
0 PLC ± .010 1 PLC ± .005 2 PLC ± .003 3 PLC ± .002 4 PLC ± .001 5 HOLE ± .005		PRODUCT SPEC: - APPLICATION SPEC: - WEIGHT: - MATERIAL: - FINISH: -		NAME: J. MILLER DATE: 1-31-02 FEED-BACK MODULE ASSY, SIZE 20, TJ SIZE: A1 CAGE CODE: 00779 DRAWING NO: 592625 RESTRICTED TO: - CUSTOMER DRAWING: - SCALE: NTS SHEET: 1 OF 1 REV: A	