



Chipsmall Limited consists of a professional team with an average of over 10 year of expertise in the distribution of electronic components. Based in Hongkong, we have already established firm and mutual-benefit business relationships with customers from,Europe,America and south Asia,supplying obsolete and hard-to-find components to meet their specific needs.

With the principle of “Quality Parts,Customers Priority,Honest Operation,and Considerate Service”,our business mainly focus on the distribution of electronic components. Line cards we deal with include Microchip,ALPS,ROHM,Xilinx,Pulse,ON,Everlight and Freescale. Main products comprise IC,Modules,Potentiometer,IC Socket,Relay,Connector.Our parts cover such applications as commercial,industrial, and automotives areas.

We are looking forward to setting up business relationship with you and hope to provide you with the best service and solution. Let us make a better world for our industry!



Contact us

Tel: +86-755-8981 8866 Fax: +86-755-8427 6832

Email & Skype: info@chipsmall.com Web: www.chipsmall.com

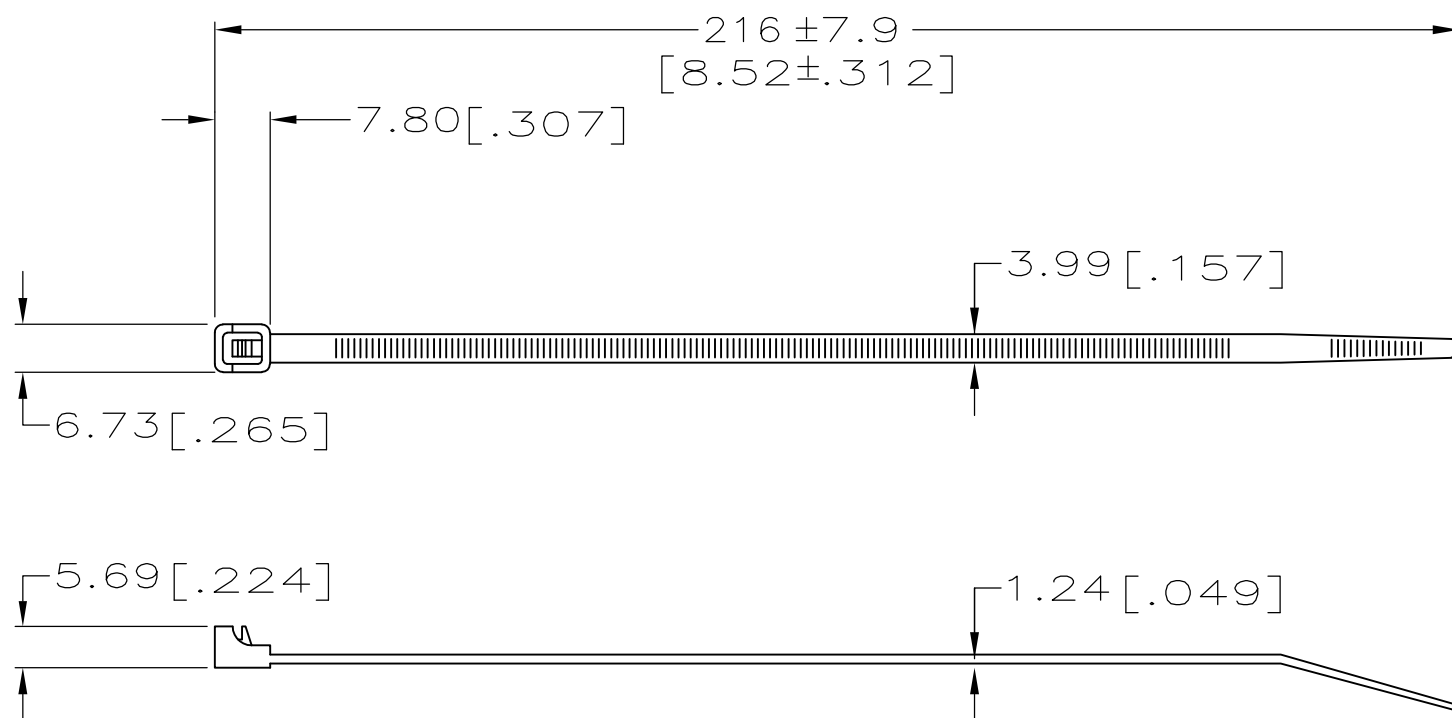
Address: A1208, Overseas Decoration Building, #122 Zhenhua RD., Futian, Shenzhen, China



THIS DRAWING IS UNPUBLISHED. RELEASED FOR PUBLICATION
 © COPYRIGHT BY TYCO ELECTRONICS CORPORATION. ALL INTERNATIONAL RIGHTS RESERVED.

LOC	DIST	REVISIONS					
F1	25	P	LTR	DESCRIPTION	DATE	DWN	APVD
		H2		REV PER ECR 10-005510	12MAR10	JR	TM

1. PACKAGED IN A HEAT SEALED 3 MIL POLYBAG.
2. MAXIMUM BUNDLE DIAMETER: 50.8[2.0].
3. MINIMUM TENSILE STRENGTH: 18.144 KG[40 LBS].
4. OBSOLETE PARTS: OBSOLETE CIS STREAMLINING PER D.RENAUD/D.SINISI



4	OBSOLETE	1000	PURPLE	-4-604476-0-
4	OBSOLETE	100	PURPLE	-3-604476-0-
4	OBSOLETE	1000	BLACK	-2-604476-0-
4	OBSOLETE	100	NATURAL	-2-604476-9-
4	OBSOLETE	1000	BLACK	-1-604476-0-
		100	NATURAL	1-604476-9-
		QUANTITY/BAG	COLOR	PART NUMBER

THIS DRAWING IS A CONTROLLED DOCUMENT.		DWN DL DRUMMOND 16 MAR 98	Tyco Electronics Corporation Harrisburg, PA 17105-3608	
DIMENSIONS: mm		CHK DL DRUMMOND 16 MAR 98	NAME CABLE TIE, RELEASABLE, 8 -1/2 INCHES	
TOLERANCES UNLESS OTHERWISE SPECIFIED: 0 PLC ± - 1 PLC ± - 2 PLC ± - 3 PLC ± 0.99[.039] 4 PLC ± - ANGLES ± -		APVD EJ HRYN 18 MAR 98	PRODUCT SPEC -	
MATERIAL NYLON		FINISH -	APPLICATION SPEC -	RESTRICTED TO -
		WEIGHT -	SIZE A3	CAGE CODE 00779
		CUSTOMER DRAWING	DRAWING NO G-604476	SCALE NONE
			SHEET 1 OF 1	REV H2