



Chipsmall Limited consists of a professional team with an average of over 10 year of expertise in the distribution of electronic components. Based in Hongkong, we have already established firm and mutual-benefit business relationships with customers from,Europe,America and south Asia,supplying obsolete and hard-to-find components to meet their specific needs.

With the principle of “Quality Parts,Customers Priority,Honest Operation,and Considerate Service”,our business mainly focus on the distribution of electronic components. Line cards we deal with include Microchip,ALPS,ROHM,Xilinx,Pulse,ON,Everlight and Freescale. Main products comprise IC,Modules,Potentiometer,IC Socket,Relay,Connector.Our parts cover such applications as commercial,industrial, and automotives areas.

We are looking forward to setting up business relationship with you and hope to provide you with the best service and solution. Let us make a better world for our industry!



Contact us

Tel: +86-755-8981 8866 Fax: +86-755-8427 6832

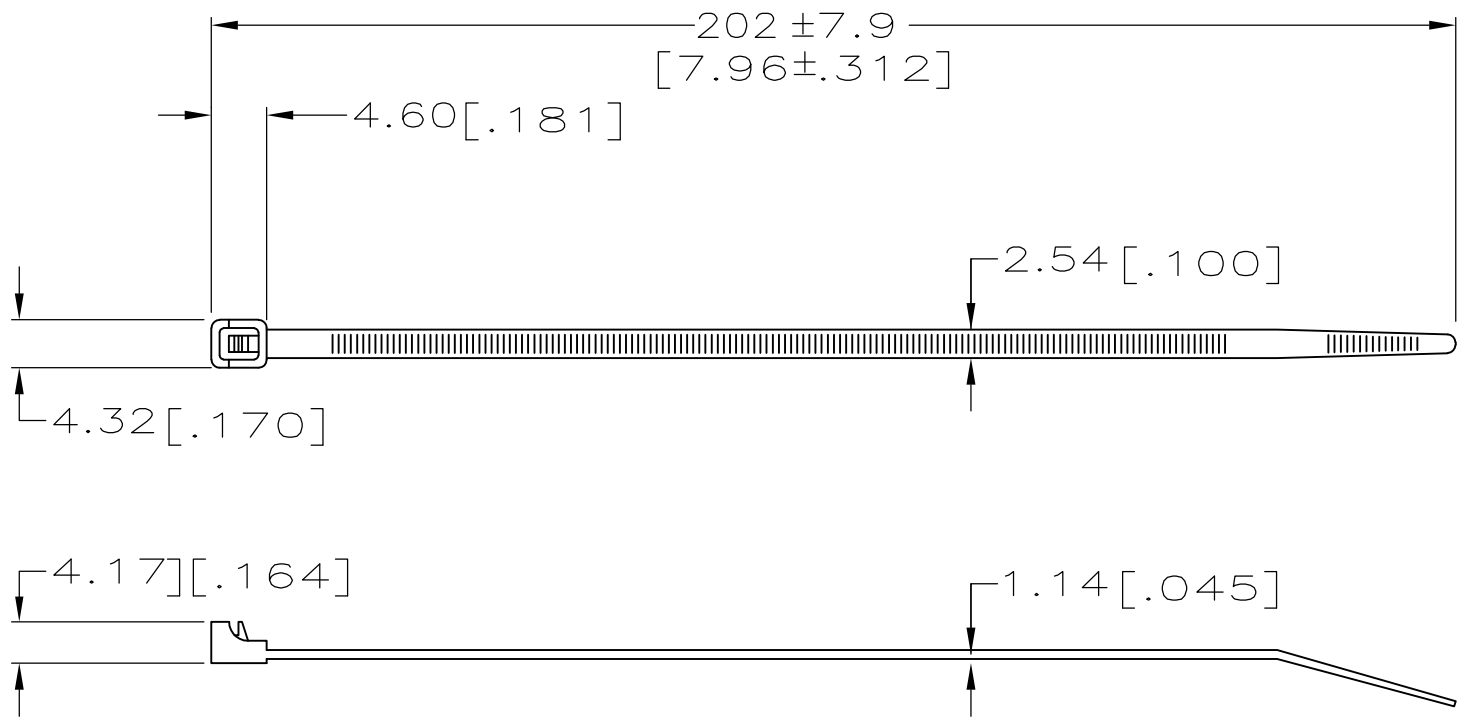
Email & Skype: info@chipsmall.com Web: www.chipsmall.com

Address: A1208, Overseas Decoration Building, #122 Zhenhua RD., Futian, Shenzhen, China



THIS DRAWING IS UNPUBLISHED. RELEASED FOR PUBLICATION
 © COPYRIGHT BY TYCO ELECTRONICS CORPORATION. ALL INTERNATIONAL RIGHTS RESERVED.

LOC	DIST	REVISIONS					
F1	25	P	LTR	DESCRIPTION	DATE	DWN	APVD
		G1		REV PER ECR 10-005510	12MAR10	JR	TM



1. PACKAGED IN A HEAT SEALED 3 MIL POLYBAG WITH LABEL PER DWG 404707.
2. MAXIMUM BUNDLE DIAMETER: 50.8 [2.0].
3. MINIMUM TENSILE STRENGTH: 8.165 KG [18 LBS].
- 4 MIL NO. MS3367-4
- 5 MOSITURIZED 1 TO 2.5% WATER

1000	TY2MB	BLACK	2-608687-0
1000	TY2M	NATURAL	2-608687-9
100	TY2CB	BLACK	1-608687-0
100	TY2C	NATURAL	1-608687-9
QUANTITY/BAG	REF	COLOR	PART NUMBER

THIS DRAWING IS A CONTROLLED DOCUMENT.		DWN JR RUTH 12MAR10	Tyco Electronics Corporation Harrisburg, PA 17105-3608	
DIMENSIONS: mm [INCHES]		CHK T MICHELUTTI 12MAR10		
		APVD T MICHELUTTI 12MAR10	NAME CABLE TIE, RELEASABLE, 8 INCHES	
TOLERANCES UNLESS OTHERWISE SPECIFIED:		PRODUCT SPEC	RESTRICTED TO	
0 PLC ± - 1 PLC ± - 2 PLC ± - 3 PLC ± 0.99 [.039] 4 PLC ± - ANGLES ± -		APPLICATION SPEC	SIZE A3	CAGE CODE 00779
MATERIAL NYLON 6/6		FINISH -	DRAWING NO G-608687	SCALE NONE
		WEIGHT -	SHEET 1 OF 1	REV G1
		CUSTOMER DRAWING		