



Chipsmall Limited consists of a professional team with an average of over 10 year of expertise in the distribution of electronic components. Based in Hongkong, we have already established firm and mutual-benefit business relationships with customers from,Europe,America and south Asia,supplying obsolete and hard-to-find components to meet their specific needs.

With the principle of "Quality Parts,Customers Priority,Honest Operation,and Considerate Service",our business mainly focus on the distribution of electronic components. Line cards we deal with include Microchip,ALPS,ROHM,Xilinx,Pulse,ON,Everlight and Freescale. Main products comprise IC,Modules,Potentiometer,IC Socket,Relay,Connector.Our parts cover such applications as commercial,industrial, and automotives areas.

We are looking forward to setting up business relationship with you and hope to provide you with the best service and solution. Let us make a better world for our industry!



## Contact us

Tel: +86-755-8981 8866 Fax: +86-755-8427 6832

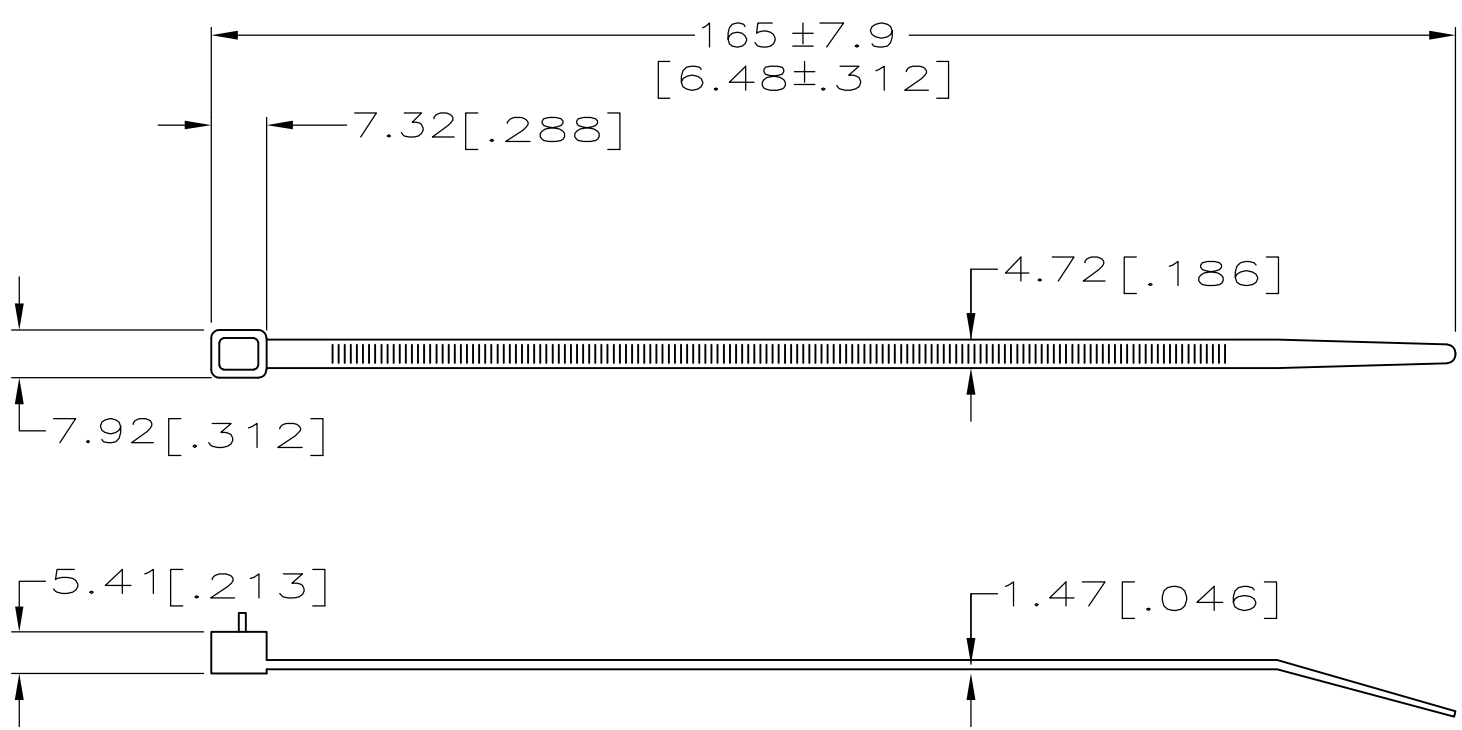
Email & Skype: info@chipsmall.com Web: www.chipsmall.com

Address: A1208, Overseas Decoration Building, #122 Zhenhua RD., Futian, Shenzhen, China



THIS DRAWING IS UNPUBLISHED. RELEASED FOR PUBLICATION  
 © COPYRIGHT - By - ALL RIGHTS RESERVED.

LOC	DIST	REVISIONS			
P	LTR	DESCRIPTION	DATE	DWN	APVD
	J3	REVISED PER ECO-12-004153	01MAR12	KH	DR



- 1 PACKAGED IN A HEAT SEALED 3 MIL POLYBAG.
- 2 MAXIMUM BUNDLE DIAMETER: 34.93[1.38].
- 3 MINIMUM TENSILE STRENGTH: 22.68 KG[50 LBS].
- △ 4 OBSOLETE PARTS

OBSOLETE	1000	PURPLE	4-608692-0
OBSOLETE	100	PURPLE	3-608692-0
OBSOLETE	1000	BLACK	2-608692-0
△ 4 OBSOLETE	100	NATURAL	2-608692-9
	1000	BLACK	1-608692-0
OBSOLETE	100	NATURAL	1-608692-9
	QUANTITY/BAG	COLOR	PART NUMBER

THIS DRAWING IS A CONTROLLED DOCUMENT.		DWN DL DRUMMOND 16 MAR 98	<b>STE</b> TE Connectivity	
DIMENSIONS: mm [INCHES]		CHK DL DRUMMOND 16 MAR 98		
TOLERANCES UNLESS OTHERWISE SPECIFIED:		APVD EJ HRYN 18 MAR 98	NAME CABLE TIE, RELEASABLE, 6-1/2 INCHES	
0 PLC ± -		PRODUCT SPEC -	SIZE A3	
1 PLC ± -		APPLICATION SPEC -	CAGE CODE 00779	DRAWING NO C-608692
2 PLC ± -		WEIGHT -	RESTRICTED TO -	
3 PLC ± 0.99[.039]		CUSTOMER DRAWING	SCALE NONE	SHEET 1 OF 1
4 PLC ± -				REV J3
ANGLES ± -				
MATERIAL NYLON 6/6				
FINISH -				