



Chipsmall Limited consists of a professional team with an average of over 10 year of expertise in the distribution of electronic components. Based in Hongkong, we have already established firm and mutual-benefit business relationships with customers from,Europe,America and south Asia,supplying obsolete and hard-to-find components to meet their specific needs.

With the principle of "Quality Parts,Customers Priority,Honest Operation,and Considerate Service",our business mainly focus on the distribution of electronic components. Line cards we deal with include Microchip,ALPS,ROHM,Xilinx,Pulse,ON,Everlight and Freescale. Main products comprise IC,Modules,Potentiometer,IC Socket,Relay,Connector.Our parts cover such applications as commercial,industrial, and automotives areas.

We are looking forward to setting up business relationship with you and hope to provide you with the best service and solution. Let us make a better world for our industry!



Contact us

Tel: +86-755-8981 8866 Fax: +86-755-8427 6832

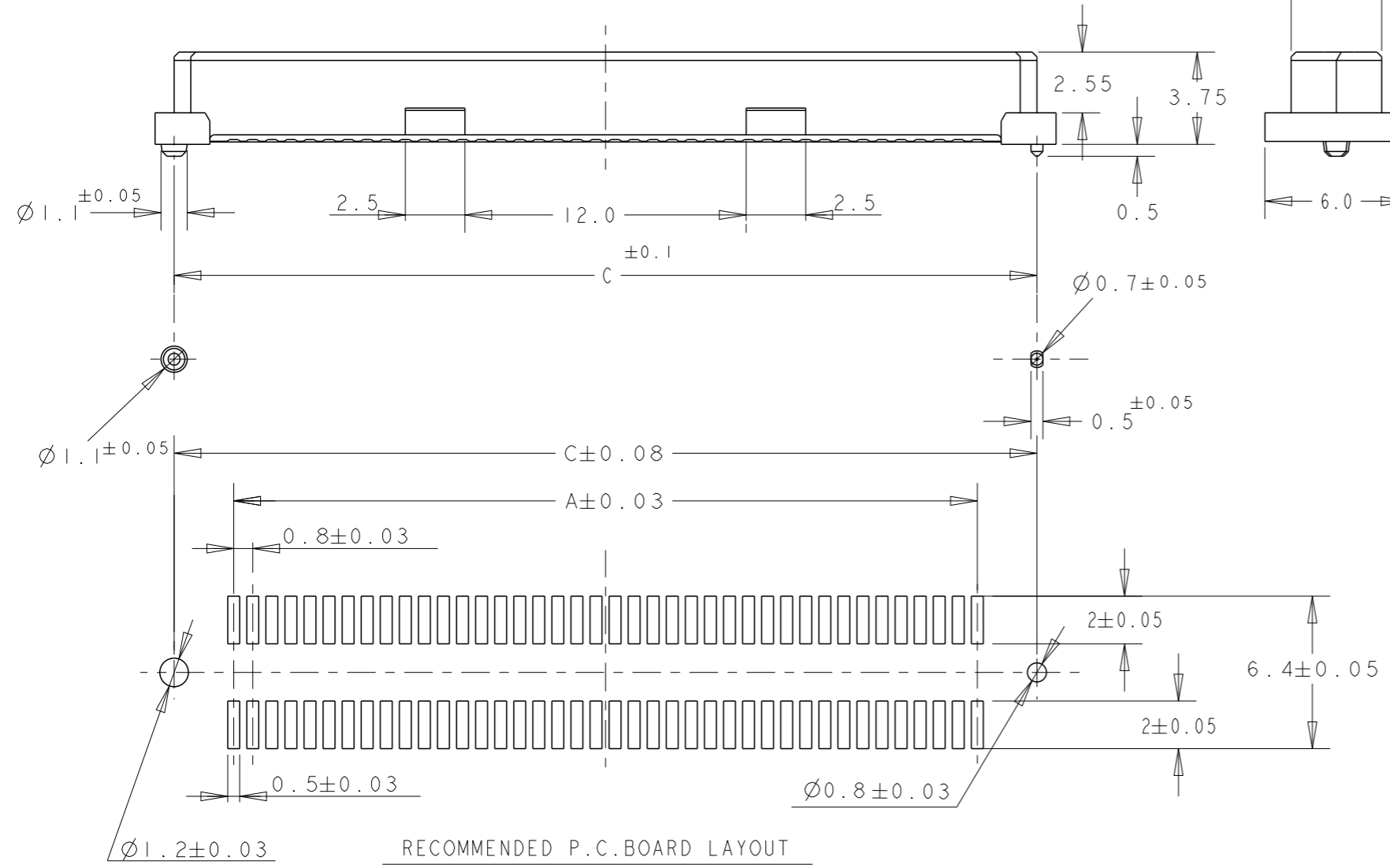
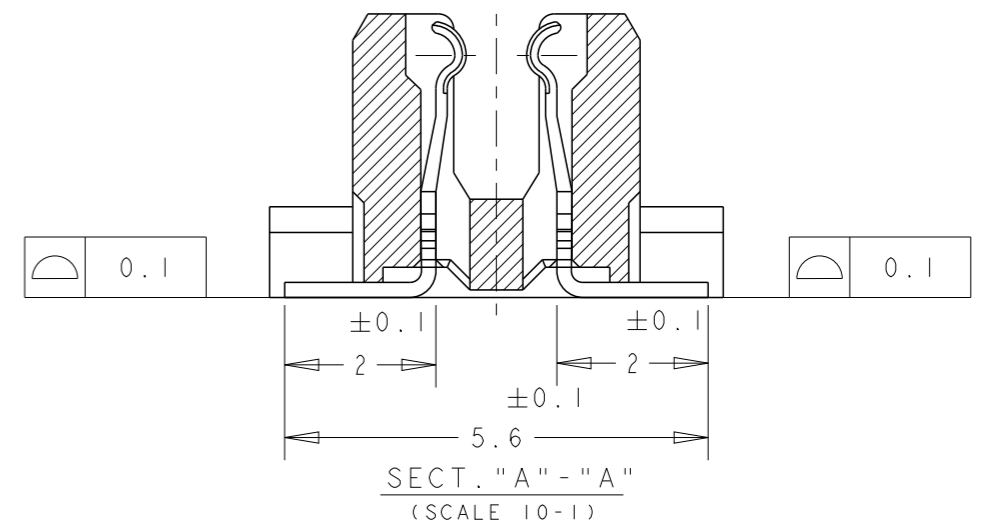
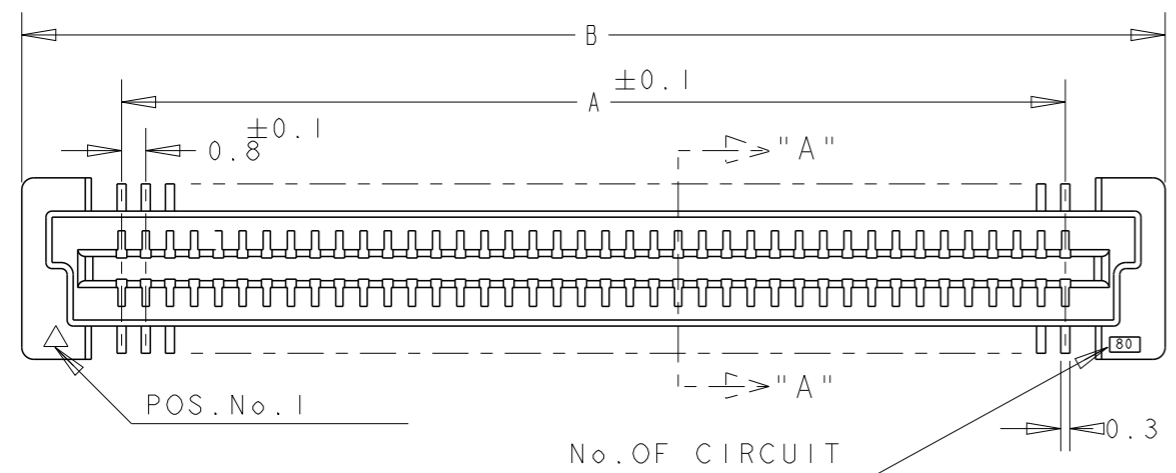
Email & Skype: info@chipsmall.com Web: www.chipsmall.com

Address: A1208, Overseas Decoration Building, #122 Zhenhua RD., Futian, Shenzhen, China



THIS DRAWING IS UNPUBLISHED. RELEASED FOR PUBLICATION 20
 © COPYRIGHT 20 BY - ALL RIGHTS RESERVED.

LOC		DIST		REVISIONS			
P	LTR	DESCRIPTION	DATE	DWN	APVD		
DY	-						
	A2	REVISED PER ECR-13-004900	19MAR13	I.T	S.Y		



- NOTES;
- 1 MATERIAL: HOUSING: L.C.P. (HIGH TEMP. THERMOPLASTIC)
UL 94V-0, NATURAL.
CONTACT: BERYLIUM COPPER.
 - 2 FINISH: CONTACT AREA: 0.00076 MIN GOLD ON
0.0013 MIN ALL OVER NICKEL.
SOLDERING AREA: 0.002 MIN MATTE-TIN.
 - 3. POSITION SERIES: SEE TABLE.
 - 4. CONN STACK HEIGHT COMBINE OF PLUG "Y" H VS REC "X" H.
STACK HEIGHT = Y + X - 5

P/N SEE SHEET 2 OF 2

THIS DRAWING IS A CONTROLLED DOCUMENT.		DWN 16SEP04 FLORENCE TAN		TE Connectivity	
DIMENSIONS: mm		CHK 20MAR2013 ERIC TNG			
TOLERANCES UNLESS OTHERWISE SPECIFIED: 0 PLC ±- 1 PLC ±0.30 2 PLC ±0.25 3 PLC ±0.20 4 PLC ±- ANGLES ±3°		APVD 20MAR2013 SE LEONG		NAME REC ASSY FOR FH 0.8BTB CONNECTOR 5H 0.5 BOSS LENGTH (0.76um GOLD)	
		MATERIAL -		FINISH -	
PRODUCT SPEC 108-5390		APPLICATION SPEC 114-5254		SIZE A3	CAGE CODE 00779
WEIGHT -		CUSTOMER DRAWING		DRAWING NO C-6123000	RESTRICTED TO -
				SCALE 4:1	SHEET 1 OF 2
				REV A2	

THIS DRAWING IS UNPUBLISHED.

RELEASED FOR PUBLICATION

20

LOC

DIST

REVISIONS

© COPYRIGHT 20 BY -

ALL RIGHTS RESERVED.

DY

-

P

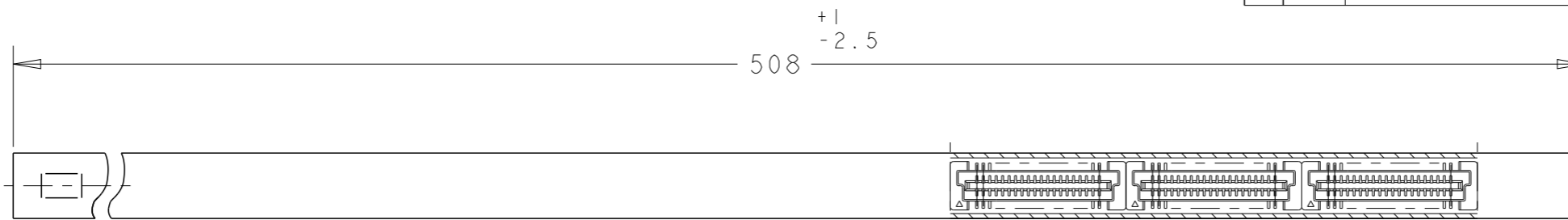
LTR

DESCRIPTION

DATE

DWN

APVD

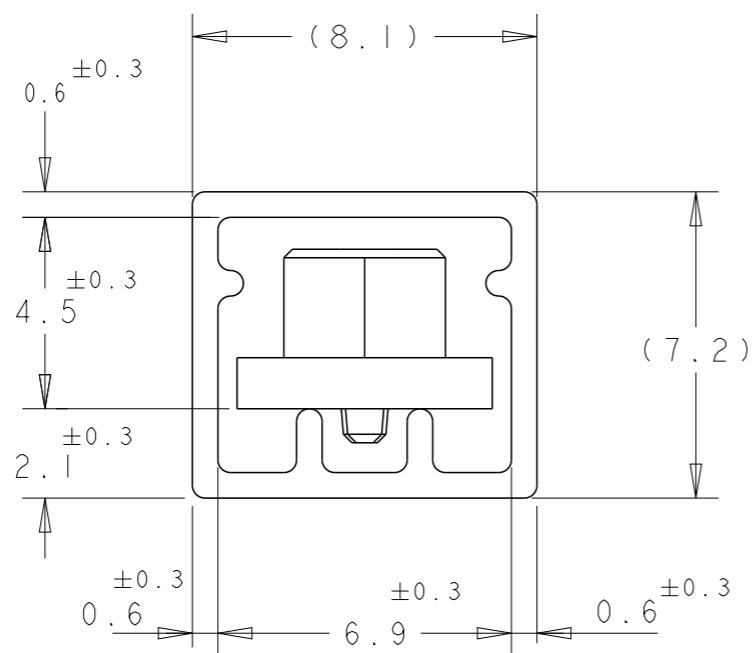
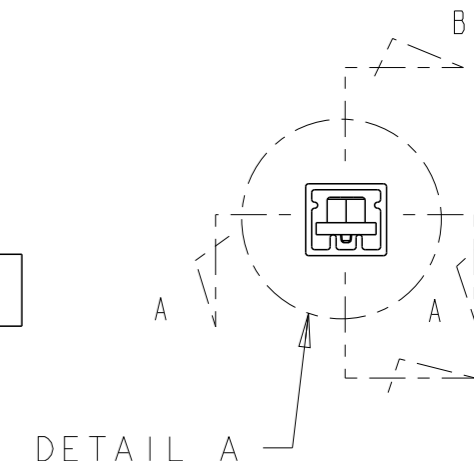


SECT A-A



REFERENCE PICTURE OF TUBE PACK

SECT B-B



DETAIL A

AVAILABLE	5	84.2	85.8	79.2	200	1-	-0
	6	76.2	77.8	71.2	180		-9
	6	68.2	69.8	63.2	160		-8
	7	60.2	61.8	55.2	140		-6
	9	52.2	53.8	47.2	120		-5
	10	44.2	45.8	39.2	100		-4
	12	36.2	37.8	31.2	80		-3
	16	28.2	29.8	23.2	60		-2
	22	20.2	21.8	15.2	40		6123000-1
STATUS	QTY	C	B	A	POS.	CONN P/N	

THIS DRAWING IS A CONTROLLED DOCUMENT.

DWN 16SEP04 FLORENCE TAN
CHK 20MAR2013 ERIC TNG
APVD 20MAR2013 SE LEONG

PRODUCT SPEC 108-5390
APPLICATION SPEC 114-5254
WEIGHT -

STE TE Connectivity

NAME REC ASSY FOR FH 0.8BTB CONNECTOR 5H 0.5 BOSS LENGTH (0.76um GOLD)

SIZE A3 CAGE CODE 00779 DRAWING NO C-6123000 RESTRICTED TO -

CUSTOMER DRAWING SCALE 4:1 SHEET 2 OF 2 REV A2