



Chipsmall Limited consists of a professional team with an average of over 10 year of expertise in the distribution of electronic components. Based in Hongkong, we have already established firm and mutual-benefit business relationships with customers from,Europe,America and south Asia,supplying obsolete and hard-to-find components to meet their specific needs.

With the principle of “Quality Parts,Customers Priority,Honest Operation,and Considerate Service”,our business mainly focus on the distribution of electronic components. Line cards we deal with include Microchip,ALPS,ROHM,Xilinx,Pulse,ON,Everlight and Freescale. Main products comprise IC,Modules,Potentiometer,IC Socket,Relay,Connector.Our parts cover such applications as commercial,industrial, and automotives areas.

We are looking forward to setting up business relationship with you and hope to provide you with the best service and solution. Let us make a better world for our industry!



Contact us

Tel: +86-755-8981 8866 Fax: +86-755-8427 6832

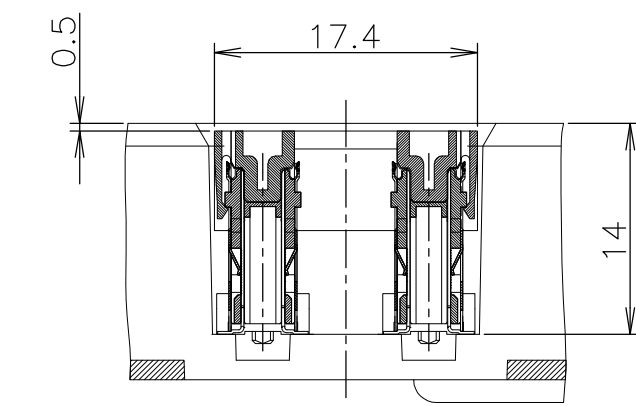
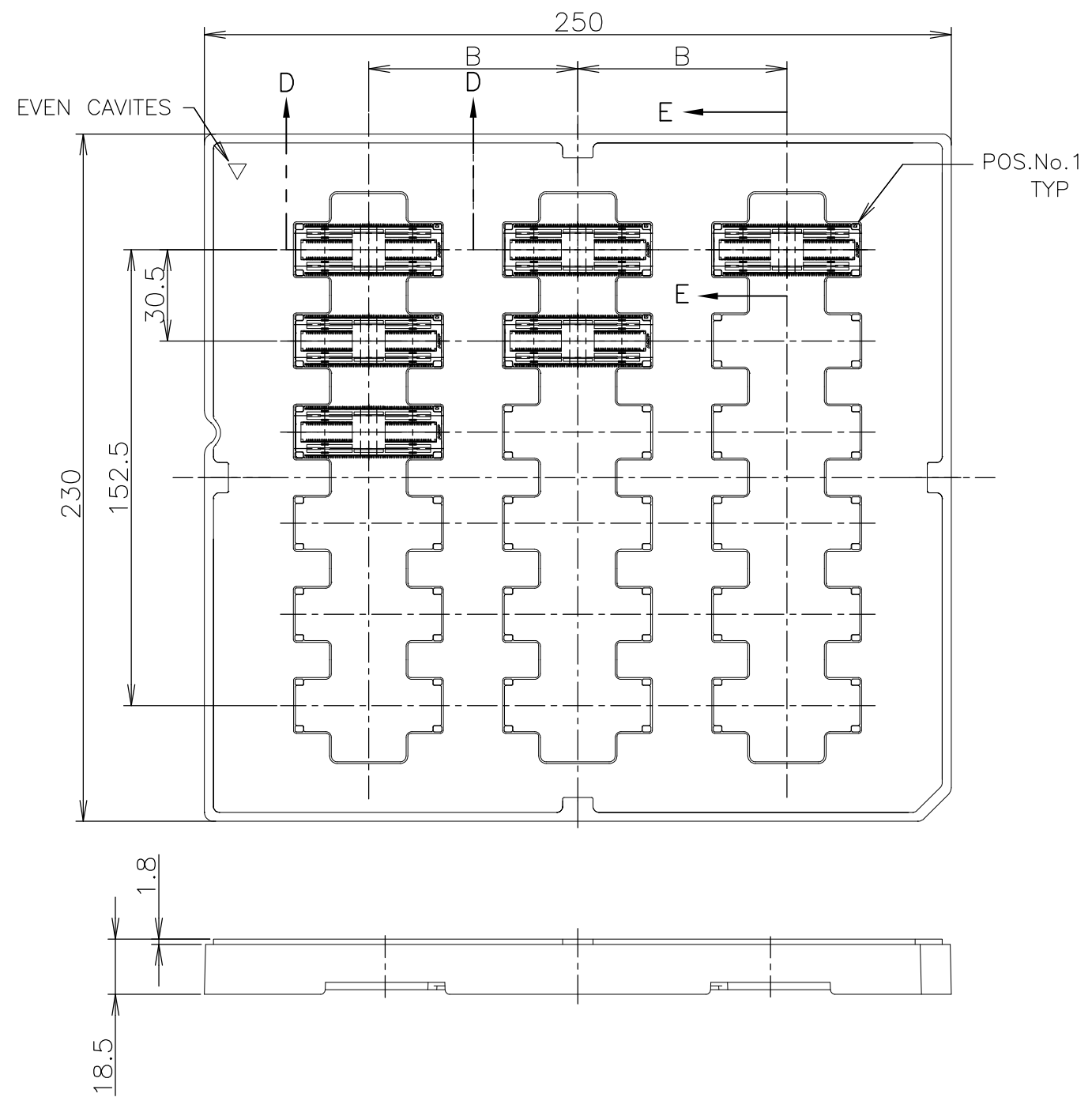
Email & Skype: info@chipsmall.com Web: www.chipsmall.com

Address: A1208, Overseas Decoration Building, #122 Zhenhua RD., Futian, Shenzhen, China

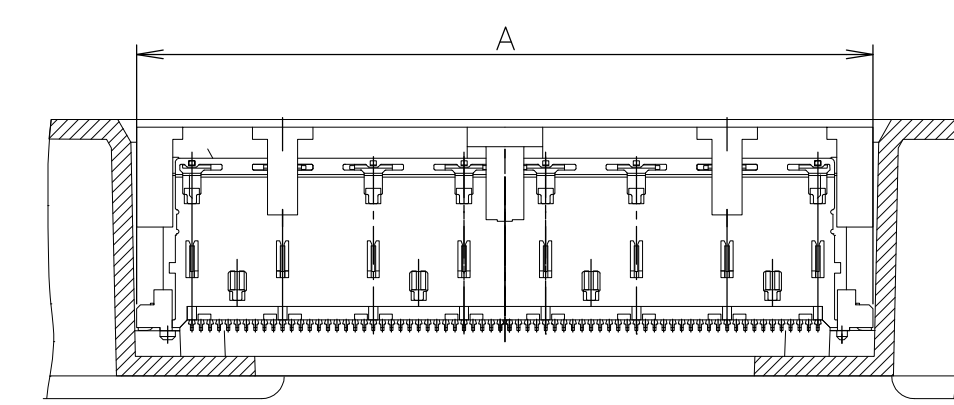


THIS DRAWING IS UNPUBLISHED. RELEASED FOR PUBLICATION JUL ,1997.
 © COPYRIGHT 1997 By - ALL RIGHTS RESERVED.

LOC	DIST	REVISIONS			DATE	DWN	APVD
J		P	LTR	DESCRIPTION			
		B		REVISED ECR-11-019335	20SEP2011	I.T	C.W



E-E
(SCALE 2:1)



D-D
(SCALE 2:1)

NON	AVAILABLE	△4	3	18	70	48.7	280	2-912071-1	2-6123098-0
NON	NOT AVAILABLE	△2	3	18	70	48.7	280	2-912071-1	1-6123098-0
SEALANT	TOOLING STATUS	FINISH	ROW	QTY	B	A	POS.	TRAY P/N	PART NO.

THIS DRAWING IS A CONTROLLED DOCUMENT.

DWN HAWKING HE 13DEC04	 TE Connectivity	NAME 姓名 HARD TRAY ASSY FH 0.6BTB CONNECTOR PLUG 12H W/G-PLATE 2ROW TYPE				
CHK STEVEN YAO 13DEC04						
APVD I.ENOMOTO 13DEC04						
PRODUCT SPEC 製品規格 108-60047						
APPLICATION SPEC 取付適用規格 114-5255	SIZE A3	CAGE CODE 00779	DRAWING NO 番号 G-6123098	RESTRICTED TO		
MATERIAL 材料	WEIGHT	CUSTOMER DRAWING		SCALE 尺度 1:2	SHEET 1 OF 2	REV B

GENERAL TOLERANCE
一般公差

10 ≥ ±0.2
30 ≥ >10: ±0.25
100 ≥ >30: ±0.3
ANGLES: ±3°

DIMENSIONS:
単位: 耗
mm

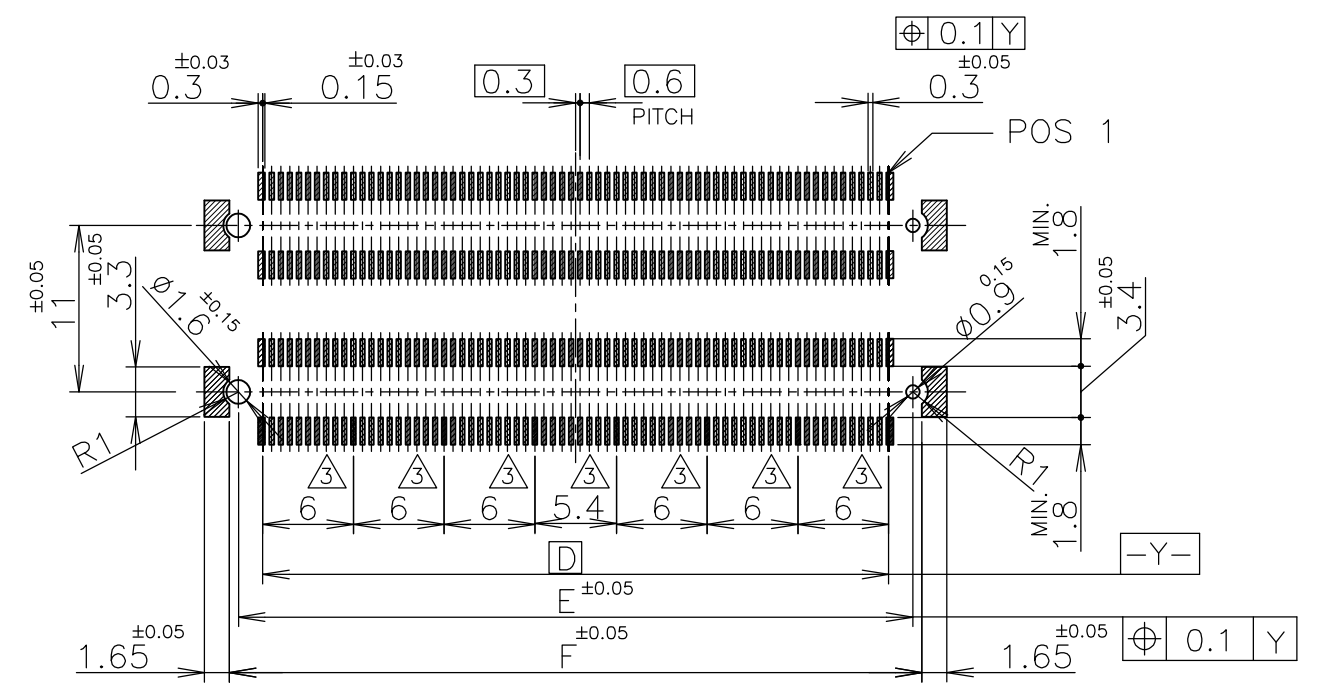
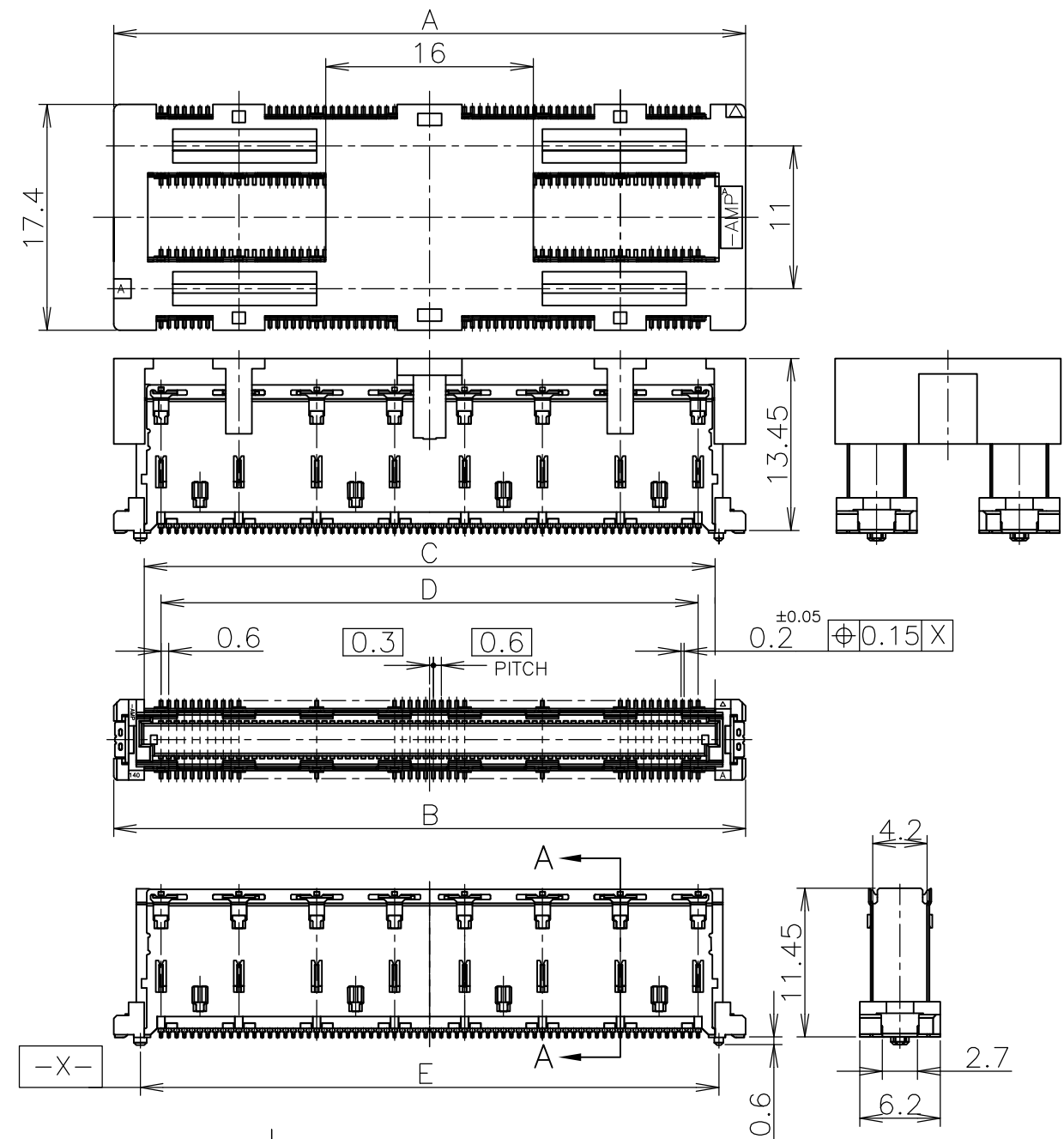
TOLERANCES UNLESS
OTHERWISE SPECIFIED:
一般公差

0 PLC ± -
1 PLC ± -
2 PLC ± -
3 PLC ± -
4 PLC ± -
ANGLES ± -

FINISH
仕上

THIS DRAWING IS UNPUBLISHED. RELEASED FOR PUBLICATION JUL ,1997.
 © COPYRIGHT 1997 By - ALL RIGHTS RESERVED.

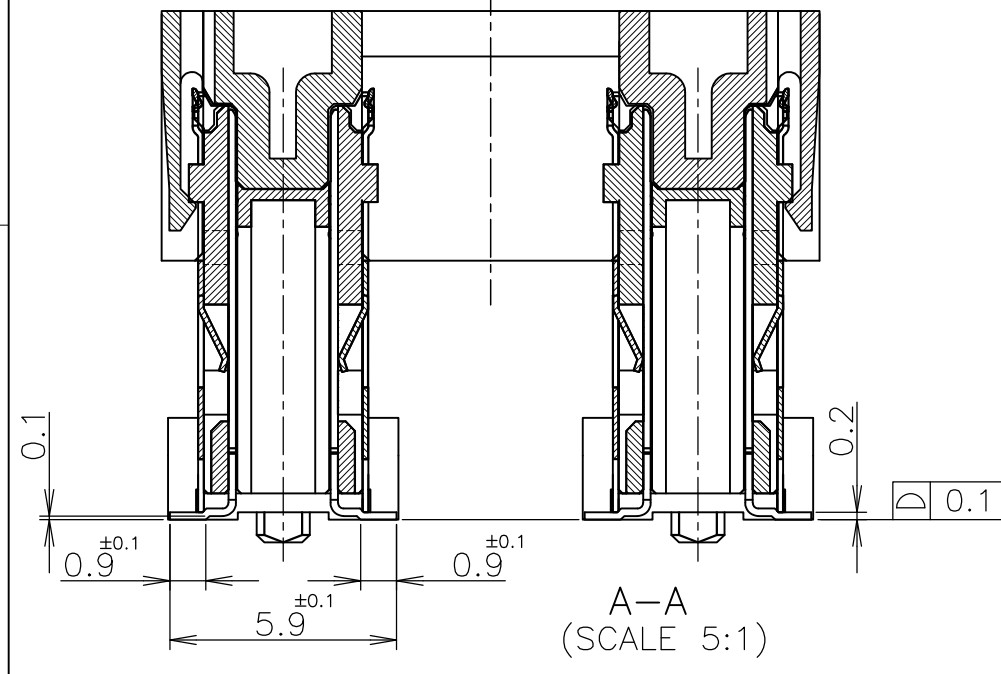
LOC	DIST	REVISIONS			DATE	DWN	APVD
J		P	LTR	DESCRIPTION			
		-		SEE SHEET 1	-	-	-



REFERENCE P.C.BOARD LAYOUT

- ① MATERIAL ; HOUSING : HIGH TEMP THERMO PLASTIC UL94V-0
CONTACT : COPPER ALLOY
- ② FINISH ; UNDER PL Ni 0.0013mm MIN ALL OVER.
CONTACT AREA 0.0002 MIN Au PL.
SOLDERING AREA 0.001 MIN TIN PL.
- ③ THIS POSITION IS GROUND CIRCUIT.
- ④ FINISH ; UNDER PL Ni 0.0013mm MIN ALL OVER.
CONTACT AREA 0.00076 MIN Au PL.
SOLDERING AREA 0.001 MIN TIN PL.

45.8	44.6	41.4	44	48.7	48.7	280	1-1123097-0
F	E	D	C	B	A	POS	CAP P/N



GENERAL TOLERANCE
 一般公差
 10 ≥ ±0.2
 30 ≥ >10: ±0.25
 100 ≥ >30: ±0.3
 ANGLES: ±3°

THIS DRAWING IS A CONTROLLED DOCUMENT.

DIMENSIONS: 单位: 耗 mm

TOLERANCES UNLESS OTHERWISE SPECIFIED: 一般公差

0 PLC	±-
1 PLC	±-
2 PLC	±-
3 PLC	±-
4 PLC	±-
ANGLES	±-
FINISH 仕上	

MATERIAL 材料

DWN
CHK
APVD
PRODUCT SPEC 製品規格
APPLICATION SPEC 取付適用規格
WEIGHT

STE TE Connectivity

NAME 名称
HARD TRAY ASSY
FH 0.6BTB CONNECTOR
PLUG 12H W/G-PLATE 2ROW TYPE

SIZE A3 CAGE CODE 00779 DRAWING NO 番号 G-6123098 RESTRICTED TO

CUSTOMER DRAWING SCALE 尺度 2:1 SHEET 2 OF 2 REV B