



Chipsmall Limited consists of a professional team with an average of over 10 year of expertise in the distribution of electronic components. Based in Hongkong, we have already established firm and mutual-benefit business relationships with customers from,Europe,America and south Asia,supplying obsolete and hard-to-find components to meet their specific needs.

With the principle of "Quality Parts,Customers Priority,Honest Operation,and Considerate Service",our business mainly focus on the distribution of electronic components. Line cards we deal with include Microchip,ALPS,ROHM,Xilinx,Pulse,ON,Everlight and Freescale. Main products comprise IC,Modules,Potentiometer,IC Socket,Relay,Connector.Our parts cover such applications as commercial,industrial, and automotives areas.

We are looking forward to setting up business relationship with you and hope to provide you with the best service and solution. Let us make a better world for our industry!



Contact us

Tel: +86-755-8981 8866 Fax: +86-755-8427 6832

Email & Skype: info@chipsmall.com Web: www.chipsmall.com

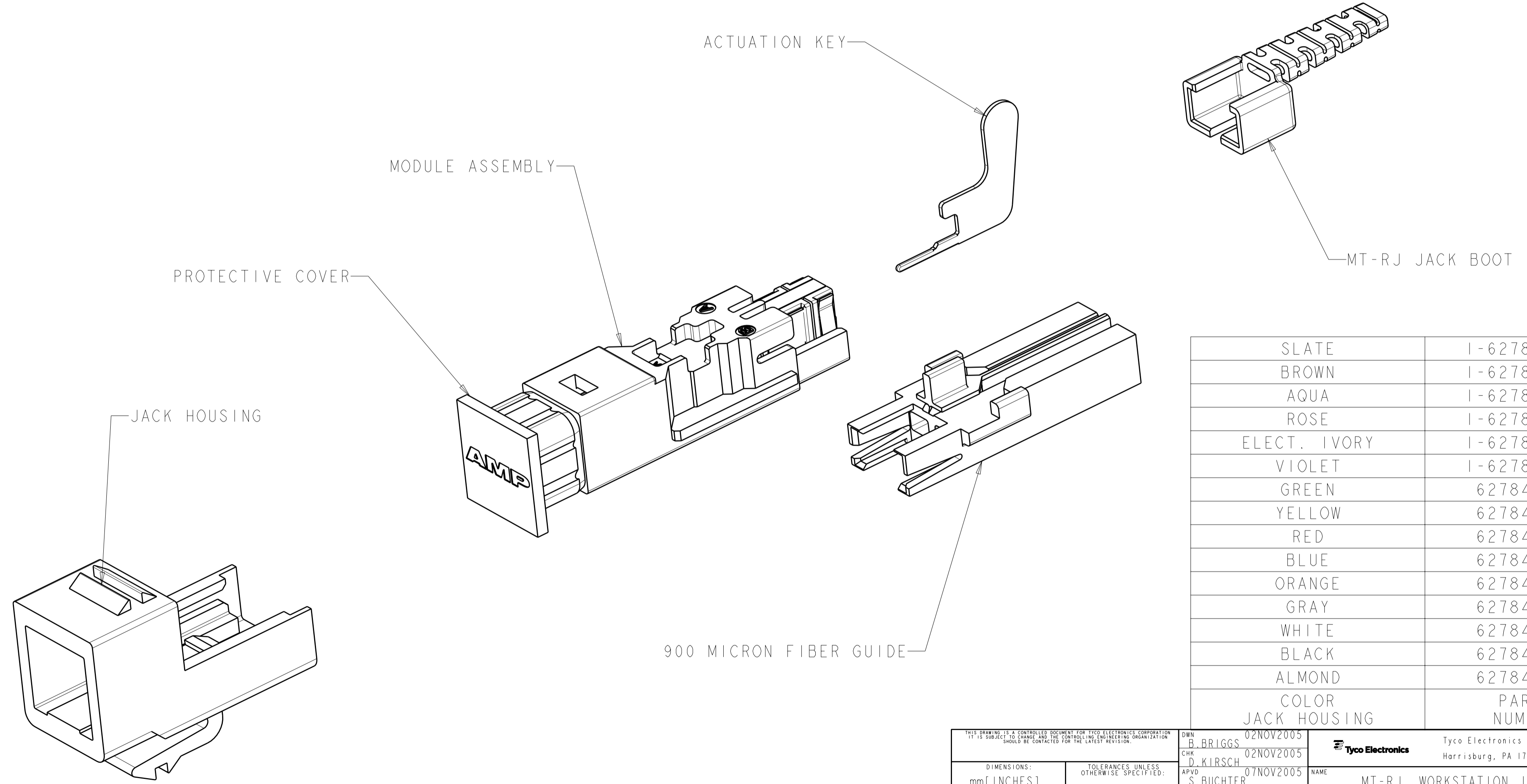
Address: A1208, Overseas Decoration Building, #122 Zhenhua RD., Futian, Shenzhen, China



THIS DRAWING IS UNPUBLISHED. RELEASED FOR PUBLICATION
 © COPYRIGHT 20 BY TYCO ELECTRONICS CORPORATION. ALL RIGHTS RESERVED.

LOC	DIST	REVISIONS			
P	LTR	DESCRIPTION	DATE	DWN	APVD
CE	00	A	REV PER ECR-06-003731	16FEB2006	BB DK
		AI	REMOVE WIREFRAME	29OCT2008	BB DK

1. ENSURE THAT THE WALL BOX IS AT LEAST 50.8mm [2.0 INCHES] DEEP, WHEN INSTALLING MT-RJ WORKSTATION JACK KITS.



COLOR JACK HOUSING	PART NUMBER
SLATE	1-6278415-5
BROWN	1-6278415-4
AQUA	1-6278415-3
ROSE	1-6278415-2
ELECT. IVORY	1-6278415-1
VIOLET	1-6278415-0
GREEN	6278415-9
YELLOW	6278415-8
RED	6278415-7
BLUE	6278415-6
ORANGE	6278415-5
GRAY	6278415-4
WHITE	6278415-3
BLACK	6278415-2
ALMOND	6278415-1

<small>THIS DRAWING IS A CONTROLLED DOCUMENT FOR TYCO ELECTRONICS CORPORATION. IT IS SUBJECT TO CHANGE AND THE CONTROLLING ENGINEERING ORGANIZATION SHOULD BE CONTACTED FOR THE LATEST REVISION.</small>		DWN B. BRIGGS 02NOV2005 CHK D. KIRSCH 02NOV2005 APVD S. BUCHTER 07NOV2005	Tyco Electronics Tyco Electronics Harrisburg, PA 17105-3608
DIMENSIONS: mm [INCHES]	TOLERANCES UNLESS OTHERWISE SPECIFIED: 0 PLC ± 1 PLC ± 2 PLC ± 3 PLC ± 4 PLC ± ANGLES ± FINISH	PRODUCT SPEC APPLICATION SPEC WEIGHT	NAME MT-RJ, WORKSTATION JACK KIT, 62.5/125
MATERIAL		SCALE 3:1 SHEET 1 OF 1 REV AI	RESTRICTED TO -
CUSTOMER DRAWING		SIZE CAGE CODE DRAWING NO A200779 C-6278415	