



Chipsmall Limited consists of a professional team with an average of over 10 year of expertise in the distribution of electronic components. Based in Hongkong, we have already established firm and mutual-benefit business relationships with customers from,Europe,America and south Asia,supplying obsolete and hard-to-find components to meet their specific needs.

With the principle of “Quality Parts,Customers Priority,Honest Operation,and Considerate Service”,our business mainly focus on the distribution of electronic components. Line cards we deal with include Microchip,ALPS,ROHM,Xilinx,Pulse,ON,Everlight and Freescale. Main products comprise IC,Modules,Potentiometer,IC Socket,Relay,Connector.Our parts cover such applications as commercial,industrial, and automotives areas.

We are looking forward to setting up business relationship with you and hope to provide you with the best service and solution. Let us make a better world for our industry!



## Contact us

Tel: +86-755-8981 8866 Fax: +86-755-8427 6832

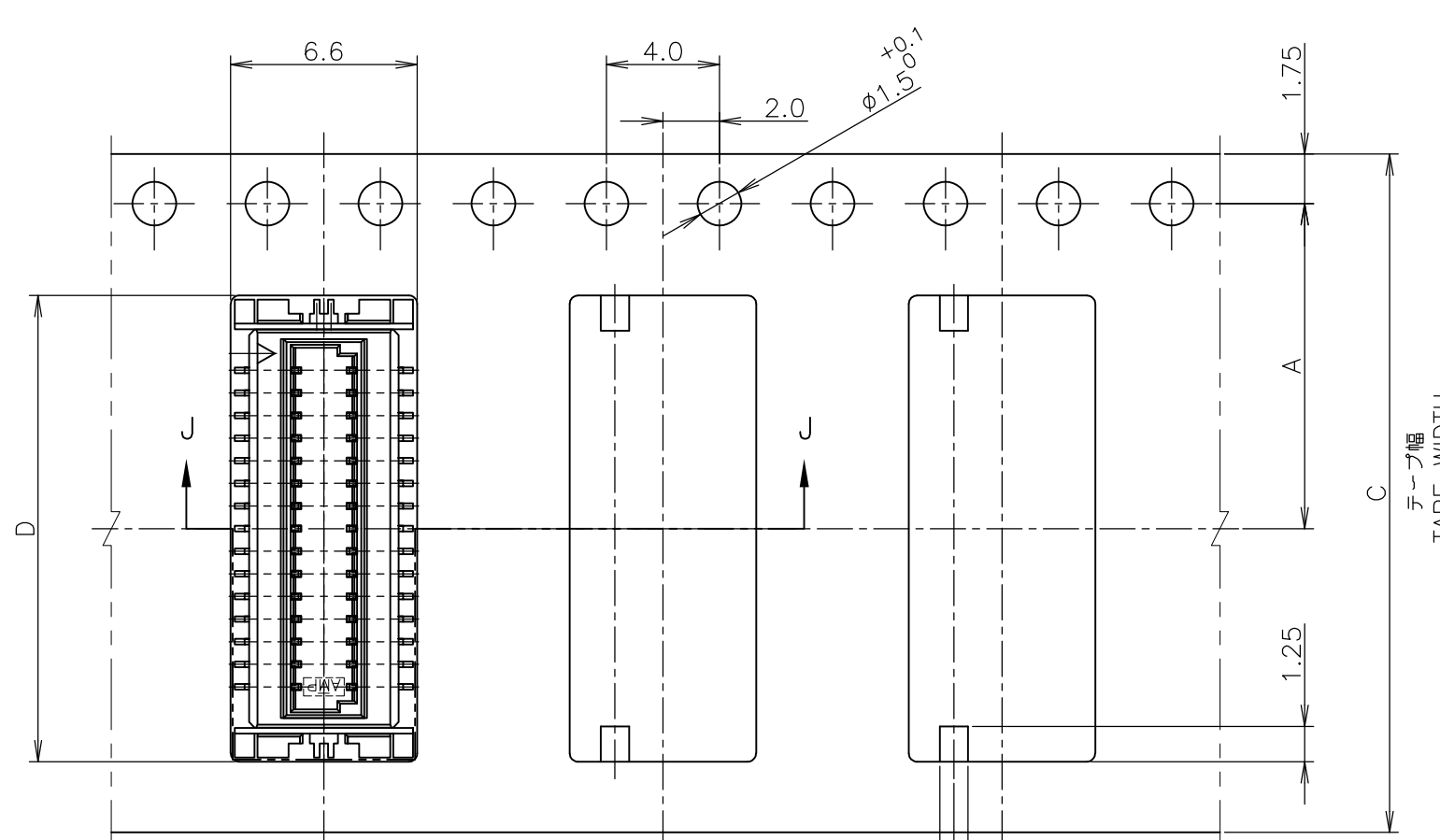
Email & Skype: info@chipsmall.com Web: www.chipsmall.com

Address: A1208, Overseas Decoration Building, #122 Zhenhua RD., Futian, Shenzhen, China

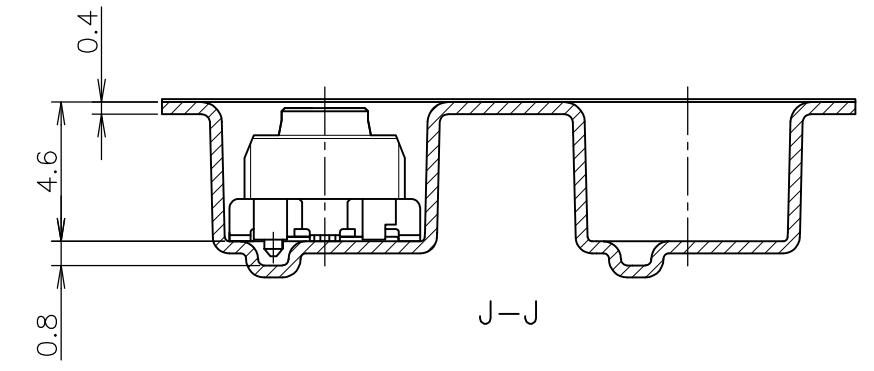


THIS DRAWING IS UNPUBLISHED. RELEASED FOR PUBLICATION DEC. 2004.  
 © COPYRIGHT 2004 By - ALL RIGHTS RESERVED.

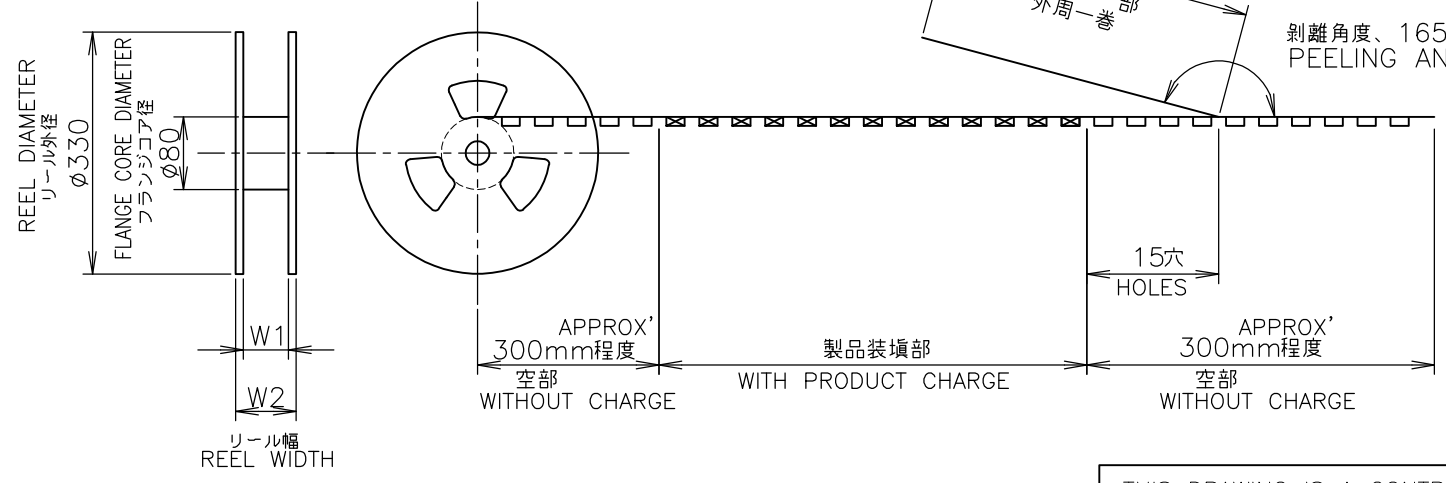
LOC	DIST	REVISIONS					
J		P	LTR	DESCRIPTION	DATE	DWN	APVD
			A1	REVISED ECR-14-013112	30JAN2015	I.T	W.H



TOP OF REEL  
 引出し方向



WEEDING THE COVER TAPE  
 AROUND THE OUTER PERIPHERY  
 IN A TURN.  
 カバーテープ  
 リーダー部  
 外周一巻  
 剥離角度、165°~180°  
 PEELING ANGLE.

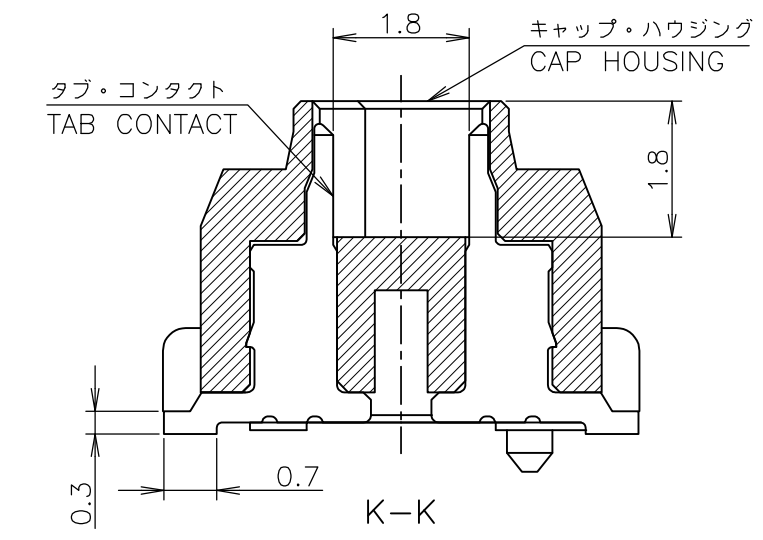
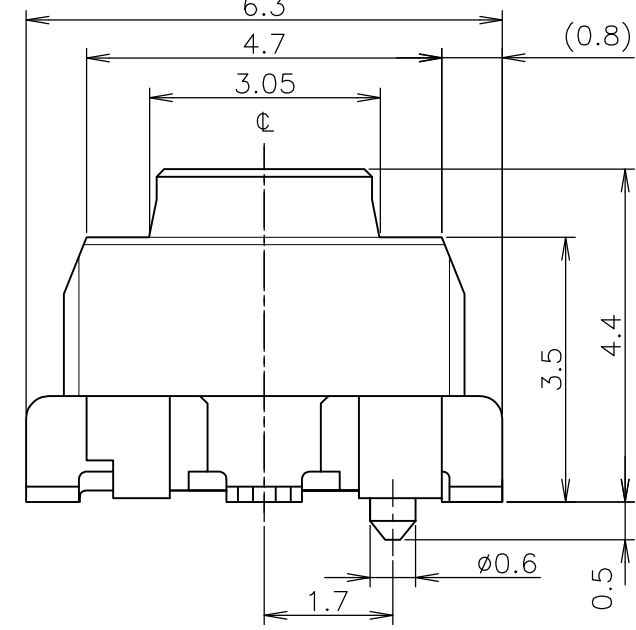
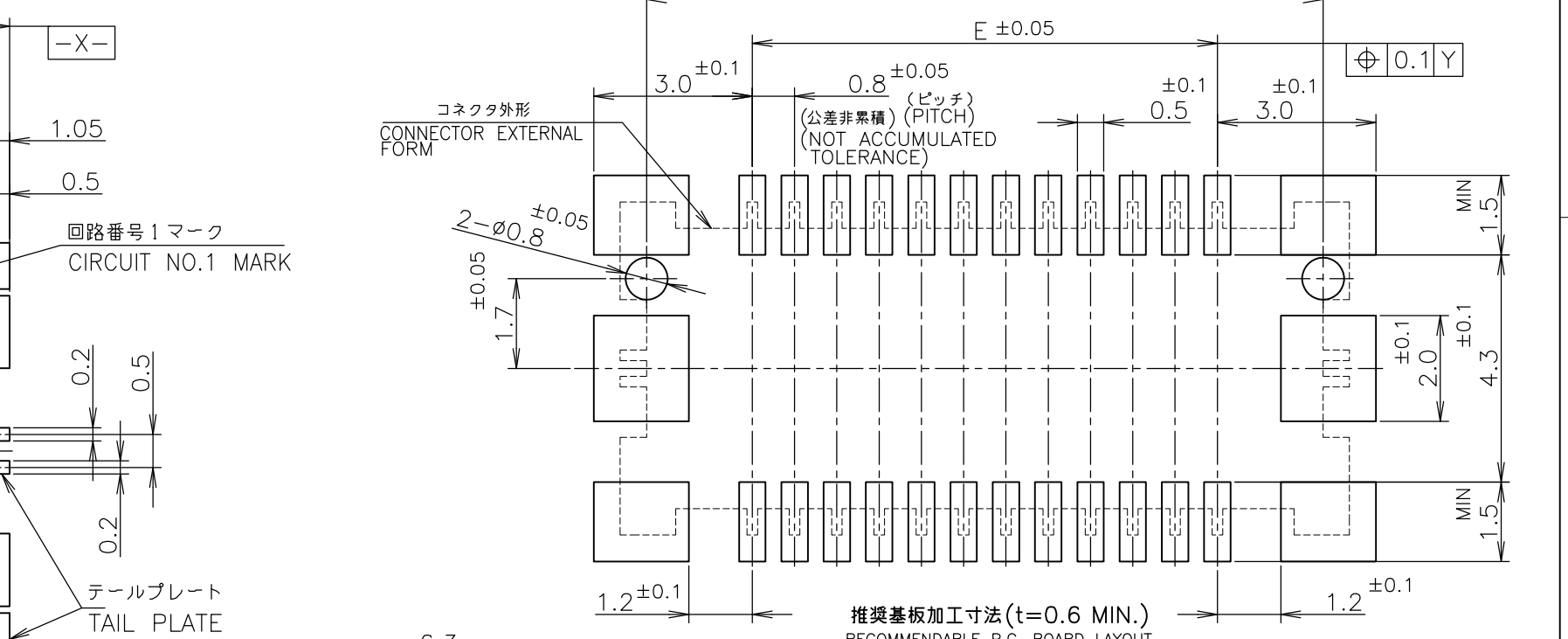
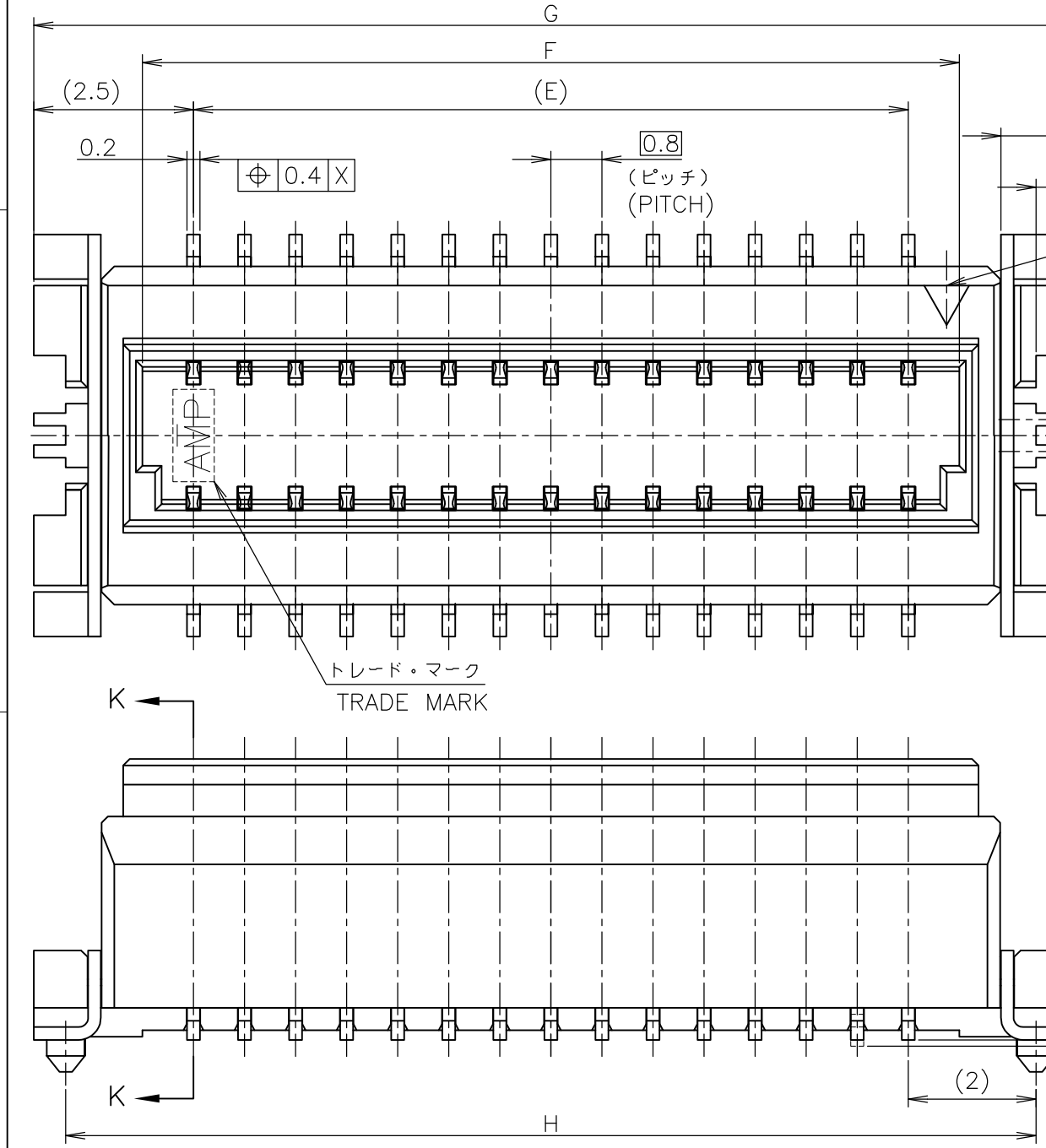


① OBSOLETE	22.4	16.4	9.3	16	7.5	800	12	1-6376038-2		
	29.5	25.5	16.5	24	11.5	800	30	3-6376038-0		
INSTRUCTION SHEET 取扱説明書	411-5654	W <sub>2</sub>	W <sub>1</sub>	D	C	B	A	数量 (ヶ) QTY/REEL	極数 POS	リール巻 コネクタ型番 TAPING P/N

THIS DRAWING IS A CONTROLLED DOCUMENT.

DIMENSIONS: 単位: 概 mm	TOLERANCES UNLESS OTHERWISE SPECIFIED: 一般公差	DWN M.IWASAKI 27DEC04	 TE Connectivity エンボス詰 キャップ・アッセンブリ (ボス付) ON TAPING EMBOSS CAP ASSEMBLY WITH BOSS 0.8mm PITCH FINE STACK CONNECTOR MATING HEIGHT 5.0mm
	0 PLC ± 0.2	CHK Y.NAKAZAWA 27DEC04	
	1 PLC ± 0.2	APVD T.KUSUHARA 27DEC04	
MATERIAL 材料	FINISH 仕上	PRODUCT SPEC 製品規格 108-5424	
	2 PLC ± 0.2	APPLICATION SPEC 取付適用規格	SIZE
	3 PLC ± 0.2	WEIGHT	CAGE CODE
	4 PLC ± 0.2		DRAWING NO 番号
	ANGLES ± 3°		RESTRICTED TO
		CUSTOMER DRAWING	SCALE 尺度 4:1
			SHEET 1 OF 3
			REV A1

本図：コネクタ図  
AS SHOWN: CONNECTOR DWG



△ 材料：ハウジング - 6T NYLON (高耐熱性ナイロン)  
ガラス30%, 色: ベージュ  
コンタクト - 銅合金・錫めっき (0.2t)  
テールプレート - 銅合金・錫めっき (0.2t)

△ MATERIAL: HOUSING - 6T NYLON (HIGH HEAT-RESISTED NYLON), GF30%,  
COLOR: BEIGE.  
CONTACT - POST-TIN/COPPER ALLOY (0.2t)  
TAIL PLATE - POST-TIN/COPPER ALLOY (0.2t)

INSTRUCTION SHEET  
取扱説明書  
411-5654

-	8	9	5.6	4	12	1-6376038-2
0.502	15.2	16.2	12.8	11.2	30	3-6376038-0
重量 (g) WEIGHT	H	G	F	E	極数 POS.	型番 PART NO.

THIS DRAWING IS A CONTROLLED DOCUMENT.

DIMENSIONS: 単位: 耗 mm	TOLERANCES UNLESS OTHERWISE SPECIFIED: 一般公差
	0 PLC ± 0.2 1 PLC ± 0.2 2 PLC ± 0.2 3 PLC ± 0.2 4 PLC ± 0.2 PLC ANGLES ± 3'
MATERIAL 材料	FINISH 仕上

DWN	CHK	APVD	PRODUCT SPEC 製品規格 108-5424	APPLICATION SPEC 取付適用規格	WEIGHT	NAME 名称 エンボス詰 キャップ・アッセンブリ (ボス付) ON TAPING EMBOSS CAP ASSEMBLY WITH BOSS 0.8mm PITCH FINE STACK CONNECTOR MATING HEIGHT 5.0mm
SIZE	CAGE CODE	DRAWING NO 番号	RESTRICTED TO		SCALE 尺度 10:1	SHEET 2 OF 3
A3	00779	C-6376038				REV A1

THIS DRAWING IS UNPUBLISHED.

RELEASED FOR PUBLICATION DEC ,2004.

© COPYRIGHT 2004 By -

ALL RIGHTS RESERVED.

LOC J  
DIST

REVISIONS

変更

DESCRIPTION

DATE

DWN

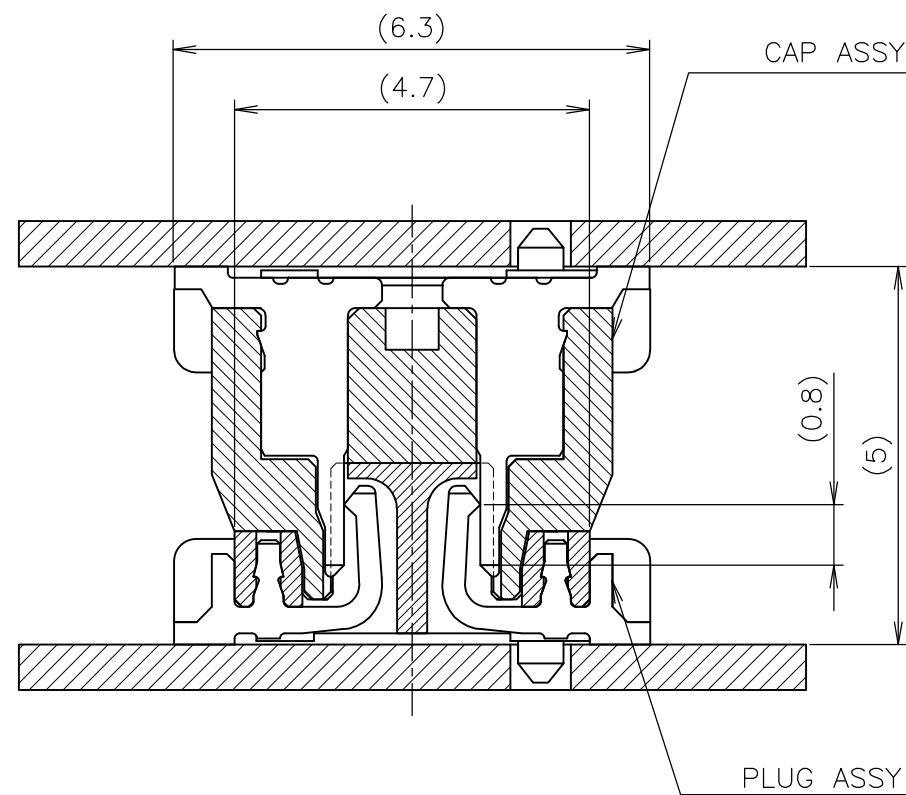
APVD

P

LTR

SEE SHEET 1

### 0.8mm PITCH FINE STACK CONNECTOR (MATING HEIGHT 5.0mm)



嵌合状態図

THIS DRAWING IS A CONTROLLED DOCUMENT.		DWN	<b>STE</b> TE Connectivity		
DIMENSIONS: 単位: 耗 mm		CHK			
TOLERANCES UNLESS OTHERWISE SPECIFIED: 一般公差		APVD	NAME 名称 エンボス詰 キャップ・アッセンブリ (ボス付) ON TAPING EMBOSS CAP ASSEMBLY WITH BOSS		
0 PLC ± 0.2		PRODUCT SPEC	0.8mm PITCH FINE STACK CONNECTOR		
1 PLC ± 0.2		製品規格	MATING HEIGHT 5.0mm		
2 PLC ± 0.2		108-5424	SIZE	CAGE CODE	DRAWING NO
3 PLC ± 0.2		APPLICATION SPEC	A3	00779	G-6376038
4 PLC ± 0.2		取付適用規格	RESTRICTED TO		
ANGLES ± 3°		WEIGHT	-		
MATERIAL 材料	FINISH 仕上	CUSTOMER DRAWING		SCALE 尺度 NTS	SHEET 3 OF 3
				REV A1	