



Chipsmall Limited consists of a professional team with an average of over 10 year of expertise in the distribution of electronic components. Based in Hongkong, we have already established firm and mutual-benefit business relationships with customers from,Europe,America and south Asia,supplying obsolete and hard-to-find components to meet their specific needs.

With the principle of "Quality Parts,Customers Priority,Honest Operation,and Considerate Service",our business mainly focus on the distribution of electronic components. Line cards we deal with include Microchip,ALPS,ROHM,Xilinx,Pulse,ON,Everlight and Freescale. Main products comprise IC,Modules,Potentiometer,IC Socket,Relay,Connector.Our parts cover such applications as commercial,industrial, and automotives areas.

We are looking forward to setting up business relationship with you and hope to provide you with the best service and solution. Let us make a better world for our industry!



Contact us

Tel: +86-755-8981 8866 Fax: +86-755-8427 6832

Email & Skype: info@chipsmall.com Web: www.chipsmall.com

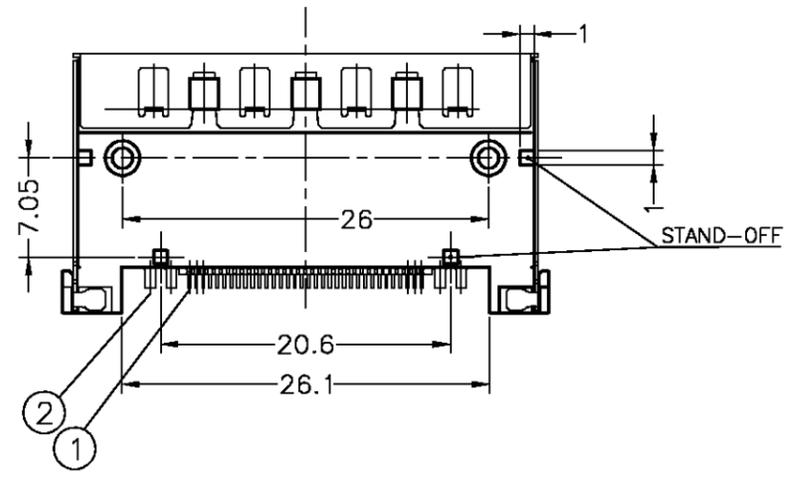
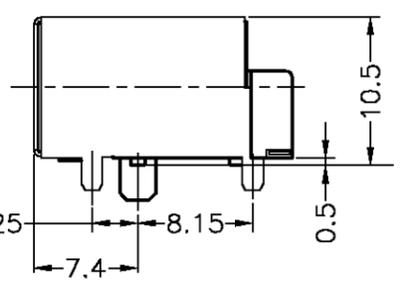
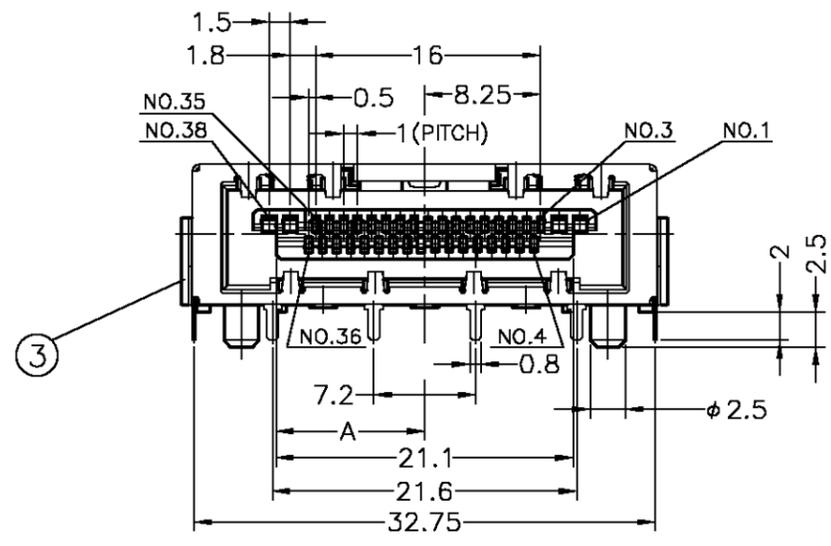
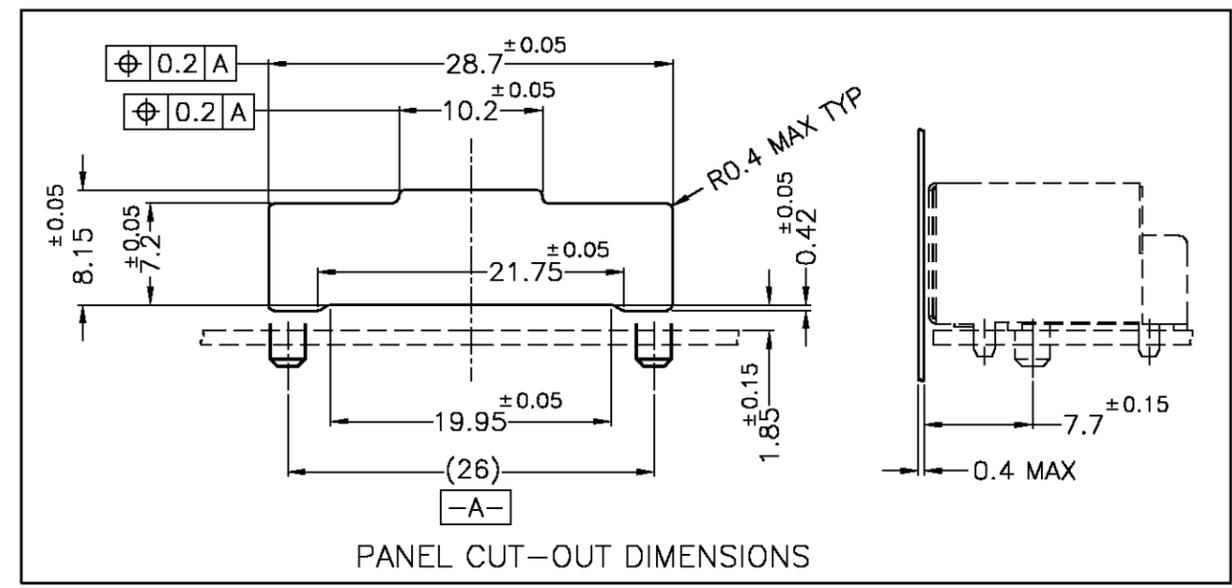
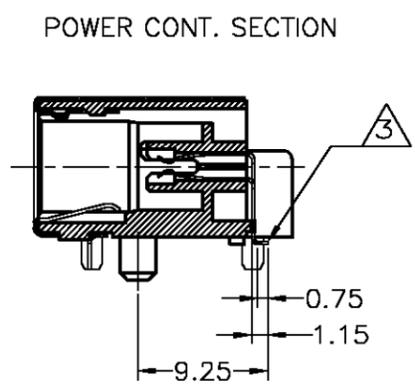
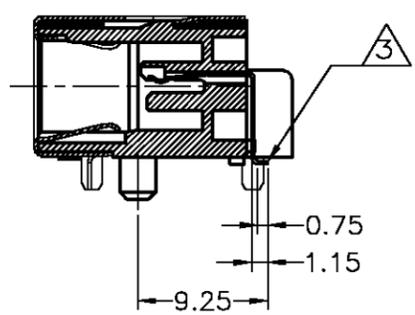
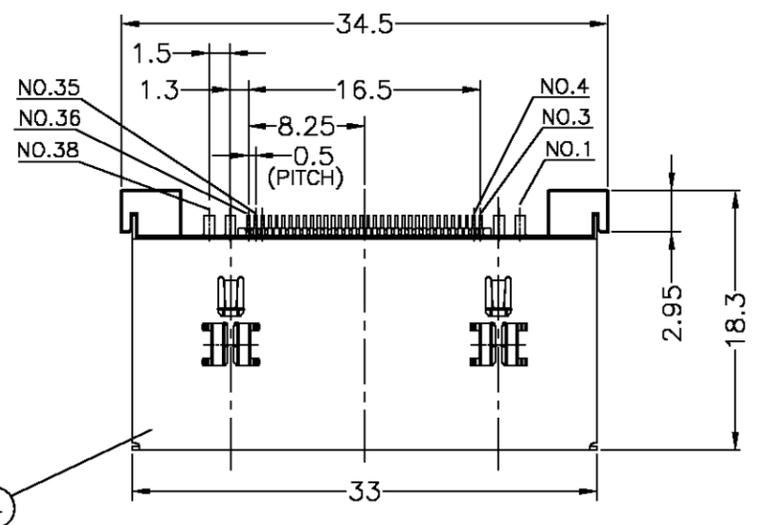
Address: A1208, Overseas Decoration Building, #122 Zhenhua RD., Futian, Shenzhen, China



THIS DRAWING IS UNPUBLISHED. RELEASED FOR PUBLICATION

© COPYRIGHT BY TYCO ELECTRONICS CORPORATION. ALL RIGHTS RESERVED.

LOC	DIST	REVISIONS					
		P	LTR	DESCRIPTION	DATE	DWN	APVD
J	-	0		RELEASED FJBO-1203-04	02NOV04	A.K	Y.Y



P/N	EMBOSS
6376818-1	1-6376818-1

QTY	NAME	DIM A	MATERIAL	FINISH	ITEM NO.
1	SHELL	-	COPPER ALLOY	Tin PLATING	4
1	HOUSING WITH KEY 4	12.2	THERMOPLASTIC	-	3
1	HOUSING WITH KEY 3	11.1	THERMOPLASTIC	-	3
1	HOUSING WITH KEY 2	10.0	THERMOPLASTIC	-	3
1	HOUSING WITH KEY 1	8.9	THERMOPLASTIC	-	3
4	POWER CONTACT	-	COPPER ALLOY	CONTACT AREA: Au PI. OVER Ni PI.	2
34	SIGNAL CONTACT	-	COPPER ALLOY	SOLDER TAIL: Tin PI. OVER Ni PI.	1

PARTS LIST

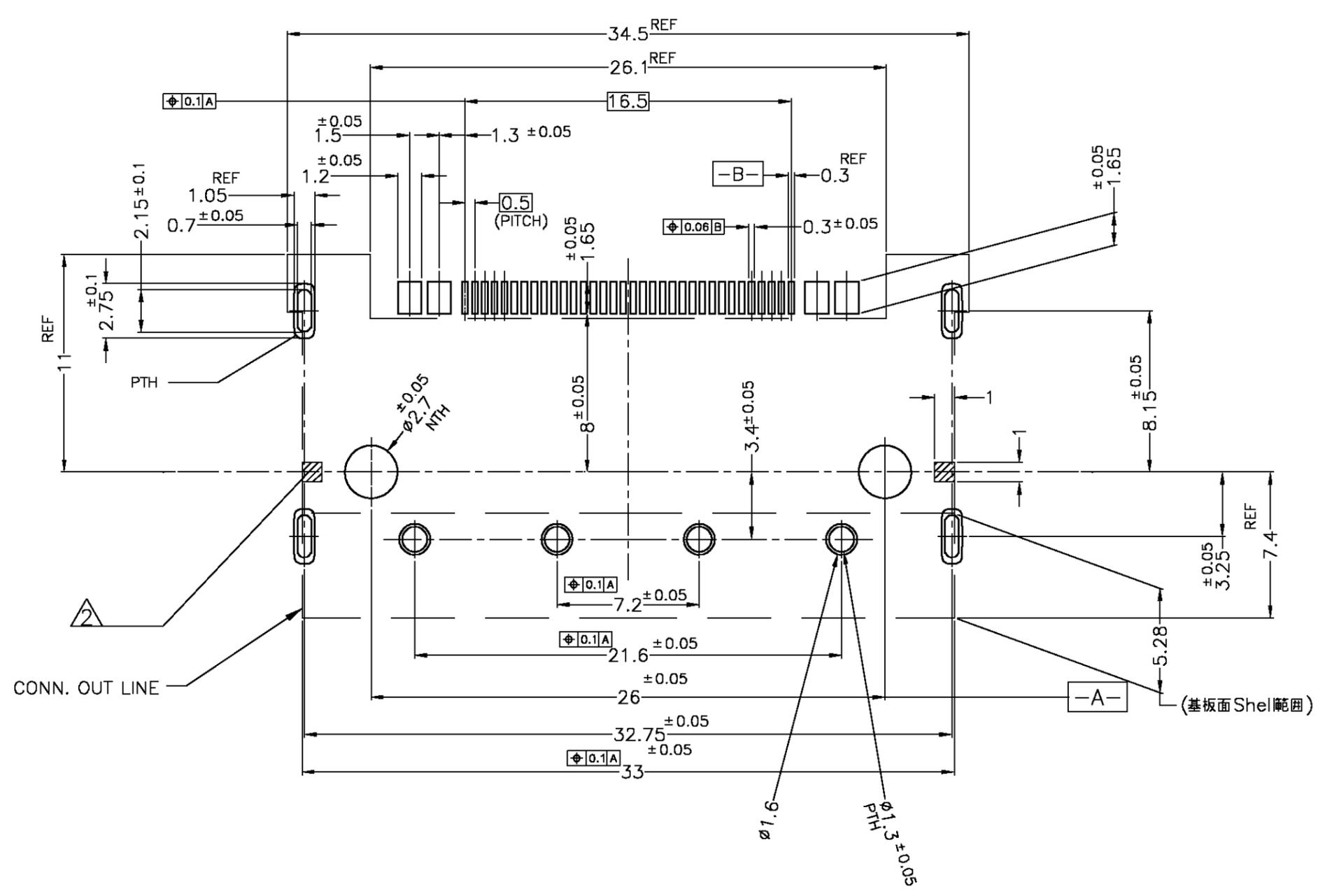
THIS DRAWING IS A CONTROLLED DOCUMENT.

DWN A.KUBO	01NOV04	tyco Electronics	Tyco Electronics AMP K.K. Kawasaki, Japan			
CHK S.KAJINUMA	02NOV04					
APVD Y.YAMAMOTO	02NOV04	NAME 名称	HEADER 1MM GIGA I/O CONN. LEAD-FREE			
DIMENSIONS: 单位: 耗 MM	TOLERANCES UNLESS OTHERWISE SPECIFIED: 一般公差	PRODUCT SPEC 製品規格	SIZE	CAGE CODE	DRAWING NO 番号	RESTRICTED TO
	0-PLC ± 1-PLC ± ± 0.5 2-PLC ± ± 3° 3-PLC ± 4-PLC ± ANGLES ±	108-78219	A3	00779	6376818	-
MATERIAL 材料 SEE TABLE	FINISH 仕上 SEE TABLE	APPLICATION SPEC 取付適用規格	WEIGHT 6.3 g	SCALE 尺度 2:1	SHEET 1 OF 4	REV 0

CUSTOMER DRAWING

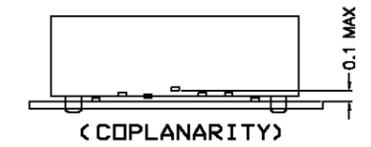
THIS DRAWING IS UNPUBLISHED. RELEASED FOR PUBLICATION
 © COPYRIGHT BY TYCO ELECTRONICS CORPORATION. ALL RIGHTS RESERVED.

LOC	DIST	REVISIONS					
J	-	P	LTR	DESCRIPTION	DATE	DWN	APVD
		-	-	SEE SHEET 1	-	-	-



1 PWB: 1.0t
 METAL MASK: 0.12t
 (リフロー後、スルーホール部は手半田でのフィレット形成を推奨)

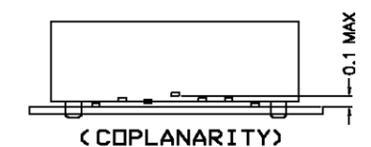
- ② スタンドオフ エリア (パターン 禁止領域)
- ③ コンタクトタイン部の平坦度 (COPLANARITY) は 0.1 MAX



4. パッキング仕様 : SHEET 3,4を参照のこと。

1 PWB: 1.0t
 METAL MASK: 0.12t
 (MANUAL TOUCH UP IS RECOMMENDED TO CREATE SOLDER FILET AT THROUGH HOLE AREA AFTER REFLOW MOUNTING)

- ② STAND-OFF AREA (PROHIBITED PATTERN AREA)
- ③ COPLANARITY AT CONTACT TINES : 0.1 MAX

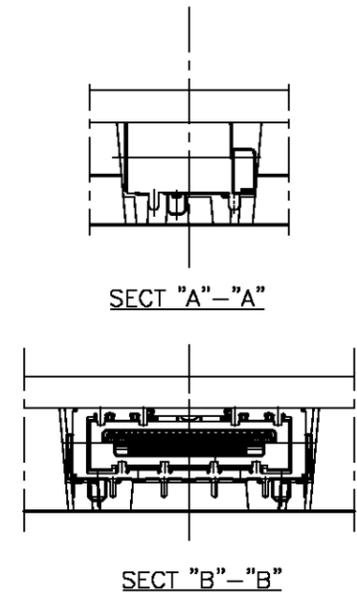
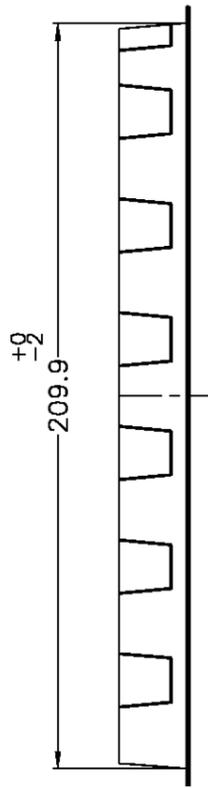
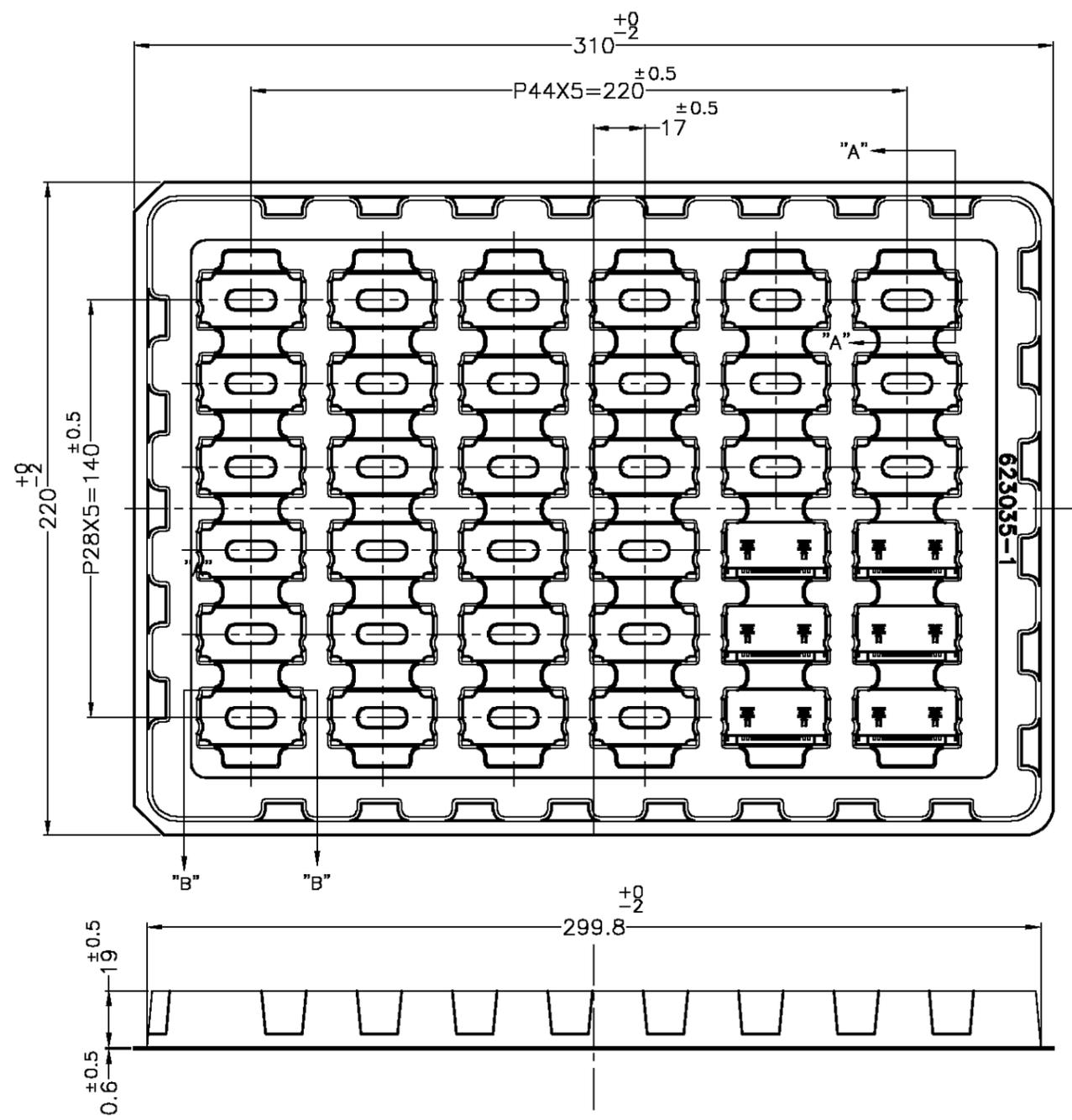


4. PACKING TYPE : REFERENCE TO SHEET 3,4

THIS DRAWING IS A CONTROLLED DOCUMENT.		DWN	Tyco Electronics AMP K.K. Kawasaki, Japan	
DIMENSIONS: 単位: 特 MM TOLERANCES UNLESS OTHERWISE SPECIFIED: 一般公差 0 PLC ± - 1 PLC ± - 2 PLC ± - 3 PLC ± - 4 PLC ± - ANGLES ± - MATERIAL 材料 FINISH 仕上		CHK		
		APVD	HEADER 1MM GIGA I/O CONN. LEAD-FREE	
MATERIAL 材料		PRODUCT SPEC 製品規格	SIZE	RESTRICTED TO
FINISH 仕上		APPLICATION SPEC 取付適用規格	CAGE CODE	
WEIGHT		WEIGHT	DRAWING NO 番号	
CUSTOMER DRAWING		A3 00779 C-6376818		
SCALE 尺度 4:1		SHEET 2 OF 4		REV 0

THIS DRAWING IS UNPUBLISHED. RELEASED FOR PUBLICATION
 © COPYRIGHT BY TYCO ELECTRONICS CORPORATION. ALL RIGHTS RESERVED.

LOC	DIST	REVISIONS					
J	—	P	LTR	DESCRIPTION	DATE	DWN	APVD
		—		SEE SHEET 1	—	—	—



PACKING TYPE : TRAY ASSY
 AS SHOWN : -1

TRAY ASSY LAYOUT

36 PCS/TRAY
 QTY

THIS DRAWING IS A CONTROLLED DOCUMENT.		DWN	tyco Tyco Electronics AMP K.K.	
DIMENSIONS: 單位: 耗 MM		CHK	Kawasaki, Japan	
TOLERANCES UNLESS OTHERWISE SPECIFIED: 一般公差		APVD	NAME 名称	
0 PLC ± -		PRODUCT SPEC 製品規格	HEADER	
1 PLC ± -		APPLICATION SPEC 取付適用規格	1MM GIGA I/O CONN.	
2 PLC ± -		WEIGHT	LEAD-FREE	
3 PLC ± -		CUSTOMER DRAWING	SIZE A3	CAGE CODE 00779
4 PLC ± -			DRAWING NO 番号	RESTRICTED TO
ANGLES ± -			C=6376818	—
FINISH 仕上			SCALE 尺度 NON	SHEET 3 OF 4
MATERIAL 材料				REV 0

