



Chipsmall Limited consists of a professional team with an average of over 10 year of expertise in the distribution of electronic components. Based in Hongkong, we have already established firm and mutual-benefit business relationships with customers from,Europe,America and south Asia,supplying obsolete and hard-to-find components to meet their specific needs.

With the principle of “Quality Parts,Customers Priority,Honest Operation,and Considerate Service”,our business mainly focus on the distribution of electronic components. Line cards we deal with include Microchip,ALPS,ROHM,Xilinx,Pulse,ON,Everlight and Freescale. Main products comprise IC,Modules,Potentiometer,IC Socket,Relay,Connector.Our parts cover such applications as commercial,industrial, and automotives areas.

We are looking forward to setting up business relationship with you and hope to provide you with the best service and solution. Let us make a better world for our industry!



Contact us

Tel: +86-755-8981 8866 Fax: +86-755-8427 6832

Email & Skype: info@chipsmall.com Web: www.chipsmall.com

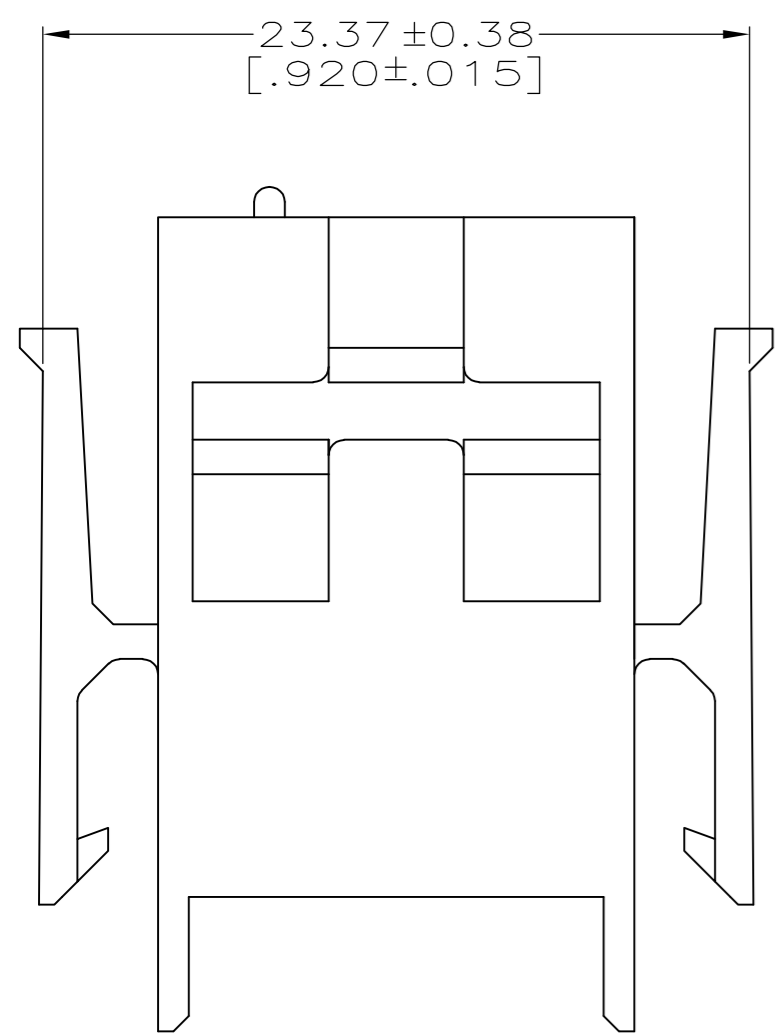
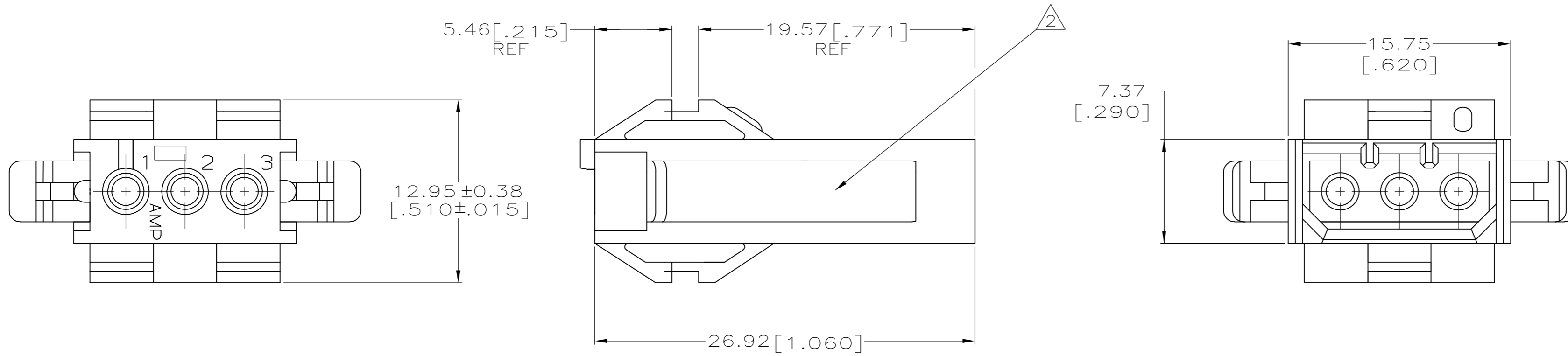
Address: A1208, Overseas Decoration Building, #122 Zhenhua RD., Futian, Shenzhen, China



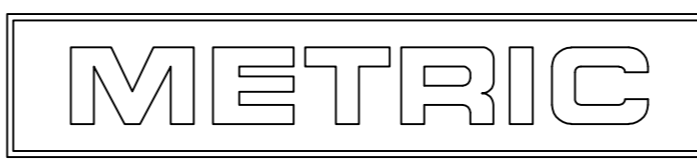
THIS DRAWING IS UNPUBLISHED. RELEASED FOR PUBLICATION
 © COPYRIGHT - By - ALL RIGHTS RESERVED.

LOC		DIST		REVISIONS			
P	LTR	DESCRIPTION		DATE	DWN	APVD	
CM	52	D1	REVISED PER ECO-11-004917		11MAR11	RK	HMR

- MATES WITH HOUSING 640518.
- UL LOGO AND CSA LOGO TO APPEAR ON EITHER LATCH SURFACE PER AMP SPEC 202-20, I.D. NO. 1-18838-3 AND 1-18839-3. FROST BACKGROUND OPTIONAL.
- DIMENSIONS IN BRACKETS ARE IN INCHES.



RECOMMENDED CUT OUT
 FOR 1.73 [0.068] MAX THICK PANEL
 SCALE 1:1



1-640508-0
 PART NUMBER

THIS DRAWING IS A CONTROLLED DOCUMENT.		DWN	R. VESTAL	7-12-96	TE TE Connectivity		
DIMENSIONS: mm [INCHES]		CHK	R. SWING	7-12-96			
TOLERANCES UNLESS OTHERWISE SPECIFIED:		APVD	A. BEDDICK	7-12-96	NAME		
0 PLC	± -	PRODUCT SPEC	HOUSING, CAP				
1 PLC	± -	APPLICATION SPEC	MRL				
2 PLC	± 0.13 [0.005]	WEIGHT	3 POSITION				
3 PLC	± -	CUSTOMER DRAWING	SCALE	4:1	SHEET	1 OF 1	REV
4 PLC	± -						
ANGLES	± 0° 30'						
FINISH	-						
MATERIAL NYLON, UL 94V-0, NATURAL (BRICK RED)		SIZE		A2	CAGE CODE	00779	DRAWING NO
		SCALE		4:1	SHEET		1 OF 1
		REV		D1		RESTRICTED TO	