



Chipsmall Limited consists of a professional team with an average of over 10 year of expertise in the distribution of electronic components. Based in Hongkong, we have already established firm and mutual-benefit business relationships with customers from,Europe,America and south Asia,supplying obsolete and hard-to-find components to meet their specific needs.

With the principle of “Quality Parts,Customers Priority,Honest Operation,and Considerate Service”,our business mainly focus on the distribution of electronic components. Line cards we deal with include Microchip,ALPS,ROHM,Xilinx,Pulse,ON,Everlight and Freescale. Main products comprise IC,Modules,Potentiometer,IC Socket,Relay,Connector.Our parts cover such applications as commercial,industrial, and automotives areas.

We are looking forward to setting up business relationship with you and hope to provide you with the best service and solution. Let us make a better world for our industry!



Contact us

Tel: +86-755-8981 8866 Fax: +86-755-8427 6832

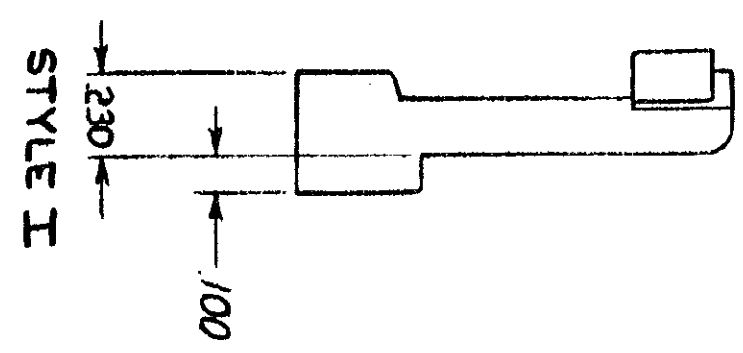
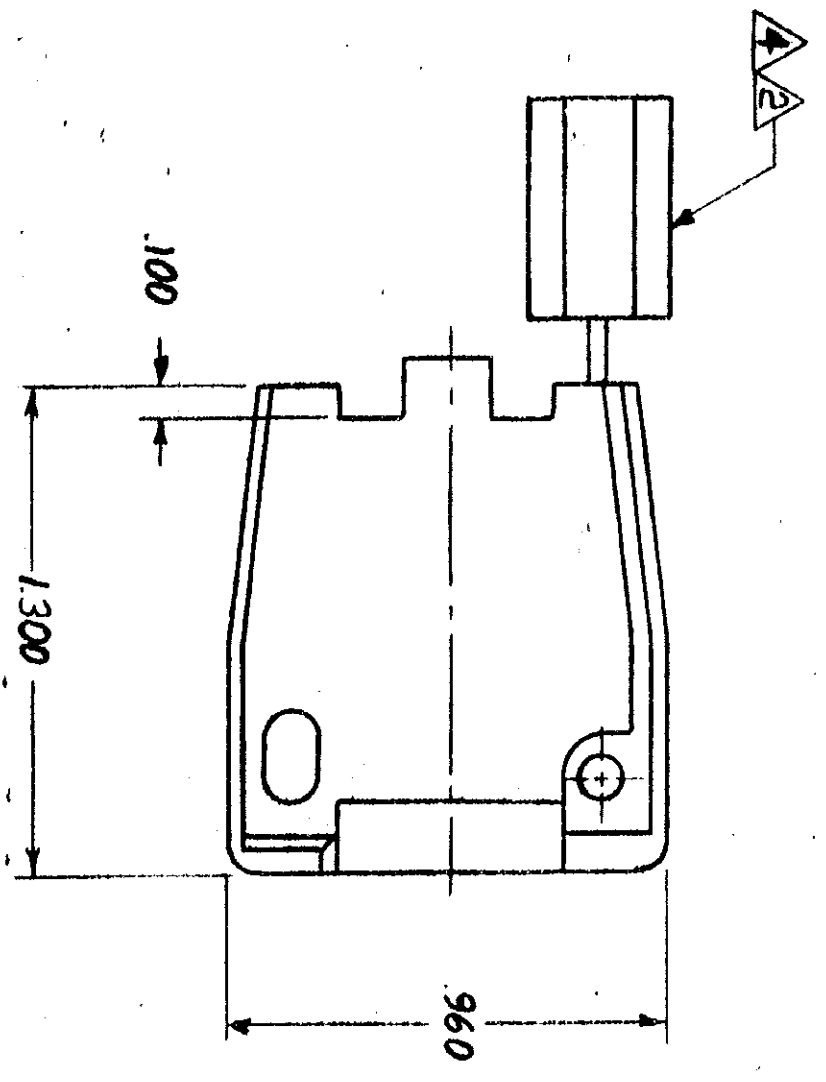
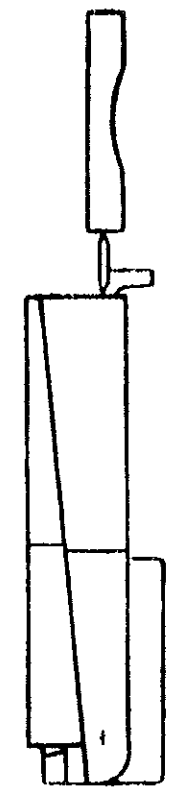
Email & Skype: info@chipsmall.com Web: www.chipsmall.com

Address: A1208, Overseas Decoration Building, #122 Zhenhua RD., Futian, Shenzhen, China

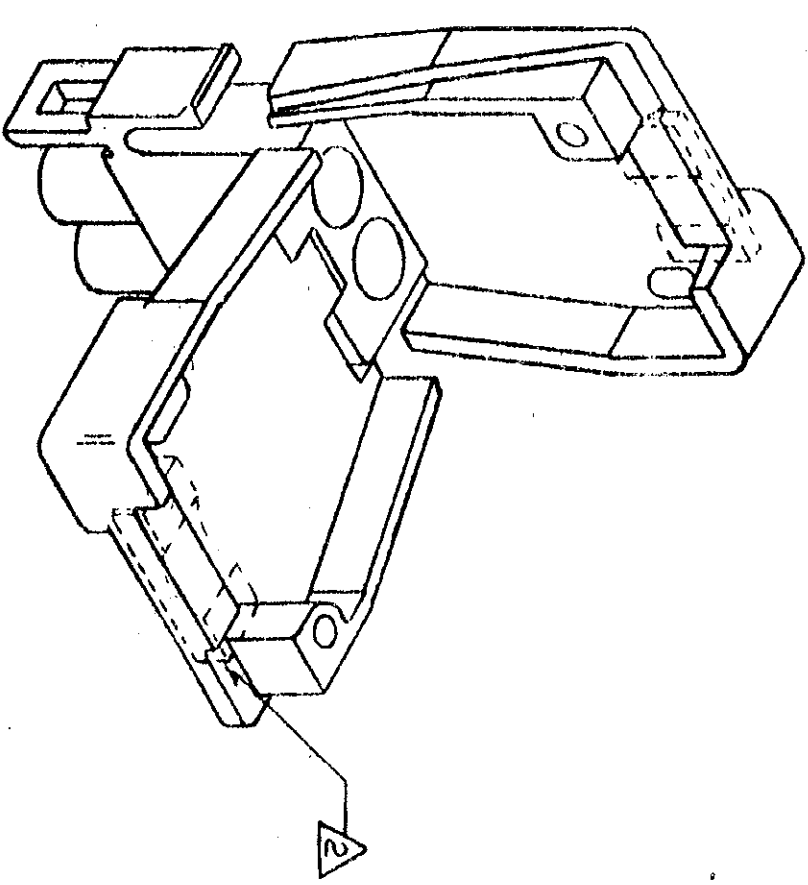


DRAWING MADE IN THIRD ANGLE PROJECTION

© COPYRIGHT 19 78 BY AMP INCORPORATED, HARRISBURG, PA. ALL INTERNATIONAL RIGHTS RESERVED. AMP INCORPORATED PRODUCTS COVERED BY U. S. AND FOREIGN PATENTS AND/OR PATENTS PENDING.

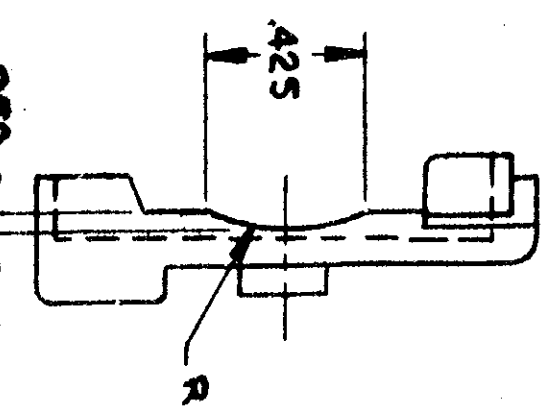


- ▲ SHEET METAL SCREWS NOT SUPPLIED.
- ▲ INSERT IS ATTACHED TO STRAIN RELIEF AS AN ADDITIONAL ADJUSTMENT FOR SMALL WIRE BUNDLES IT SHOULD BE CUT OFF AND POSITIONED AS SHOWN BY DOTTED LINES.
- ▲ TWO REQUIRED PER CONNECTOR.
- ▲ STYLE II DOES NOT INCLUDE INSERT.
- 5. DETACHABLE INSERT MAY SEPARATE FROM STRAIN RELIEF BODY DURING SHIPPING.



(2 REQ'D) # 6 x .375 LG TYPE "B" PAN HEAD SHEET METAL SCREW ▲

REV	ZONE	LTR	DESCRIPTION	DATE	APPROVED
0			DRAWG RELEASED PER M-5037	10-25-78	CE/AB
1		A	REVISED SCREW LENGTH M-5352	6-7-79	MSE/ew
2		B	ADDED -11 PER TTI 03-133	11-2-83	KW/SS
3		B1	RESTORATION	6-24-85	SS/AB
4		C	REV PER ECN CM 705	12/2/86	TS/RS



STYLE II
NIB SCALE

WIRE BUNDLE	
WITHOUT INSERT	MAX 2 @ .190 DIA
WITH INSERT	MIN 2 @ .040 DIA

UNLESS OTHERWISE SPECIFIED DIMENSIONS ARE IN INCHES. TOLERANCES ON: DECIMALS ± .015 ANGLES

MATERIAL SEE TABLE

FINISH SEE TABLE

CONTRACT NO	
DR	CERISMANU 10-25-78
CHK	J. Wade 11/1/78
APPD	J. Wade 11-1-78
APPD	J. Wade 11-1-78
DSGN APPD	
OTHER APPD	

NAME	STYLE	COLOR	MATERIAL	PART NO
II	NATURAL		NYLON 94V-2	1-640719-1
I	NATURAL		NYLON 94V-2	1-640719-0



AMP INCORPORATED
HARRISBURG, PA.

STRAIN RELIEF AND INSERT,

2 CIRCUIT, UNIVERSAL MATE-N-LOK™

SIZE	CODE	IDENT NO	DRAWING NO
C	00779		640719
SCALE	NTS	SHEET	1 OF 1

CUSTOMER DRAWING

AMP 1471-6 (7-73)

-11 WAS CP83-31590-1

3

2

1

640719

640719

640719