



Chipsmall Limited consists of a professional team with an average of over 10 year of expertise in the distribution of electronic components. Based in Hongkong, we have already established firm and mutual-benefit business relationships with customers from,Europe,America and south Asia,supplying obsolete and hard-to-find components to meet their specific needs.

With the principle of "Quality Parts,Customers Priority,Honest Operation,and Considerate Service",our business mainly focus on the distribution of electronic components. Line cards we deal with include Microchip,ALPS,ROHM,Xilinx,Pulse,ON,Everlight and Freescale. Main products comprise IC,Modules,Potentiometer,IC Socket,Relay,Connector.Our parts cover such applications as commercial,industrial, and automotives areas.

We are looking forward to setting up business relationship with you and hope to provide you with the best service and solution. Let us make a better world for our industry!



Contact us

Tel: +86-755-8981 8866 Fax: +86-755-8427 6832

Email & Skype: info@chipsmall.com Web: www.chipsmall.com

Address: A1208, Overseas Decoration Building, #122 Zhenhua RD., Futian, Shenzhen, China

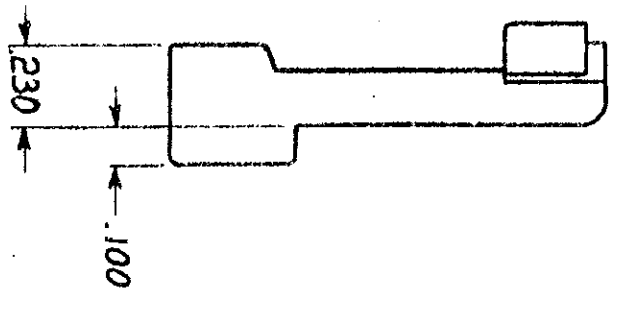
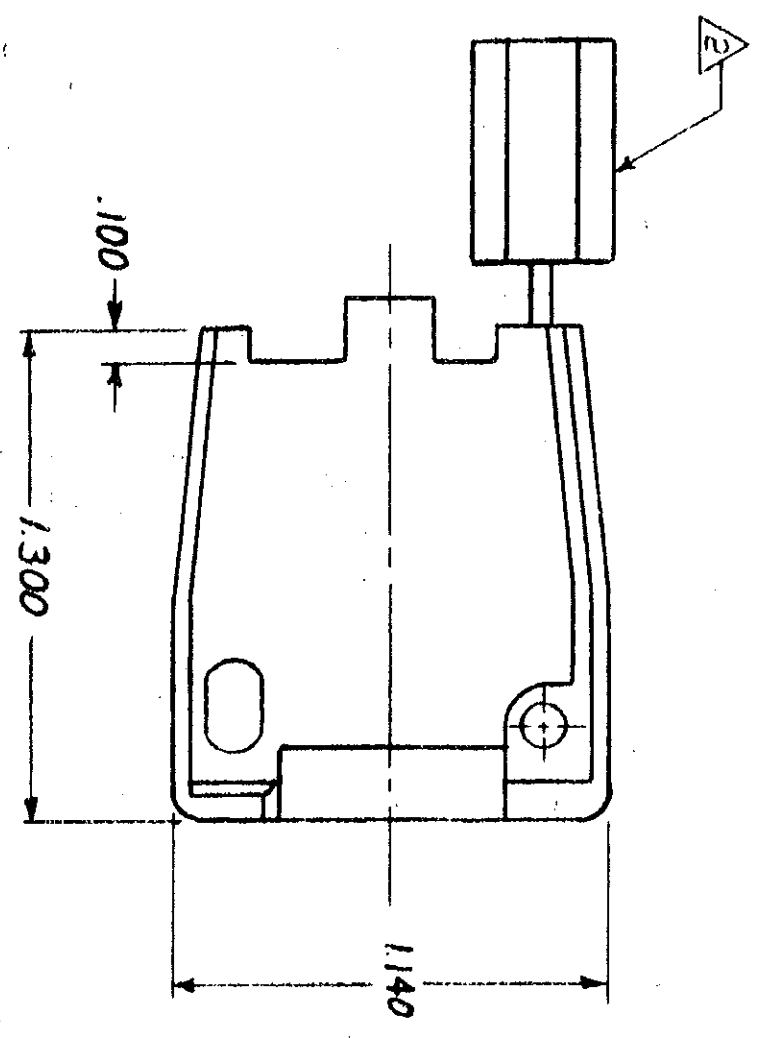
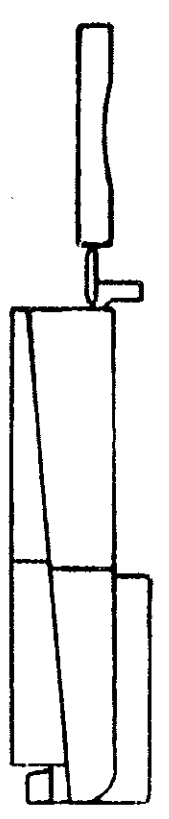


© COPYRIGHT 1978 BY AMP INCORPORATED, HARRISBURG, PA. ALL INTERNATIONAL RIGHTS RESERVED. AMP INCORPORATED PRODUCTS COVERED BY U. S. AND FOREIGN PATENTS AND/OR PATENTS PENDING.

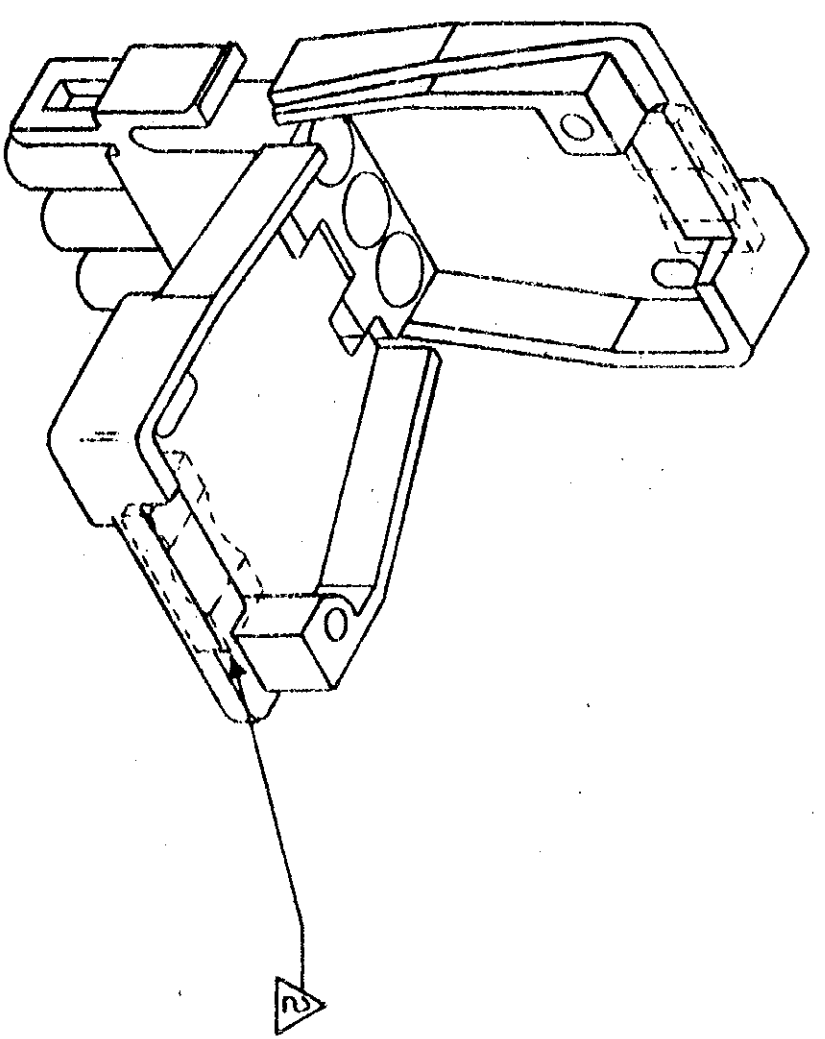
3

2

- ⚠ SHEET METAL SCREWS NOT SUPPLIED.
- ⚠ INSERT IS ATTACHED TO STRAIN RELIEF. AS AN ADDITIONAL ADJUSTMENT FOR SMALL WIRE BUNDLES, IT SHOULD BE CUT OFF AND POSITIONED AS SHOWN BY DOTTED LINES.
- ⚠ TWO REQUIRED PER CONNECTOR.
- 4. DETACHABLE INSERT MAY SEPARATE FROM STRAIN RELIEF BODY DURING SHIPPING.



(2 REQ'D) #6 x .375 L.S. TYPE 'B' PAN HEAD SHEET METAL SCREW ⚠



REV	ZONE	TR	DESCRIPTION	DATE	APPROVED
0			DRWG RELEASED PER M-5037	10-23-78	CE/BH
1			CHANGED SCREW LENGTH PER M-5385	6-25-79	MSE/DA
2			AI RESTORATION	6-24-83	SS/AD
3			REV PER ECN CM 705	12-2-86	TS/RS

WIRE BUNDLE	
WITHOUT INSERT	3 @ .190 DIA
WITH INSERT	3 @ .040 DIA

UNLESS OTHERWISE SPECIFIED DIMENSIONS ARE IN INCHES. TOLERANCES ON: DECIMALS ± .015 ANGLES

CONTRACT NO. C. ERSIMAN 10-24-78
 DR. C. ERSIMAN 11/1/78
 CHK. J.S. Steide 11-1-78
 APPD. J.C.M. 11-1-78
 APPD. J.C.M. 11-1-78

NAME: STRAIN RELIEF AND INSERT, 3 CIRCUIT, UNIVERSAL MATE-N-LOK™
 MATERIAL: NYLON 94V-2
 COLOR: NATURAL
 PART NO: 640720-0

FINISH: SEE TABLE
 DSGN APPD: SEE TABLE
 OTHER APPD:
 SIZE CODE: C
 IDENT NO: 00779
 DRAWING NO: 640720
 SCALE: NTS
 SHEET: 1 OF 1

CUSTOMER DRAWING

640720 NOT THE LATEST REVISION