



Chipsmall Limited consists of a professional team with an average of over 10 year of expertise in the distribution of electronic components. Based in Hongkong, we have already established firm and mutual-benefit business relationships with customers from,Europe,America and south Asia,supplying obsolete and hard-to-find components to meet their specific needs.

With the principle of “Quality Parts,Customers Priority,Honest Operation,and Considerate Service”,our business mainly focus on the distribution of electronic components. Line cards we deal with include Microchip,ALPS,ROHM,Xilinx,Pulse,ON,Everlight and Freescale. Main products comprise IC,Modules,Potentiometer,IC Socket,Relay,Connector.Our parts cover such applications as commercial,industrial, and automotives areas.

We are looking forward to setting up business relationship with you and hope to provide you with the best service and solution. Let us make a better world for our industry!



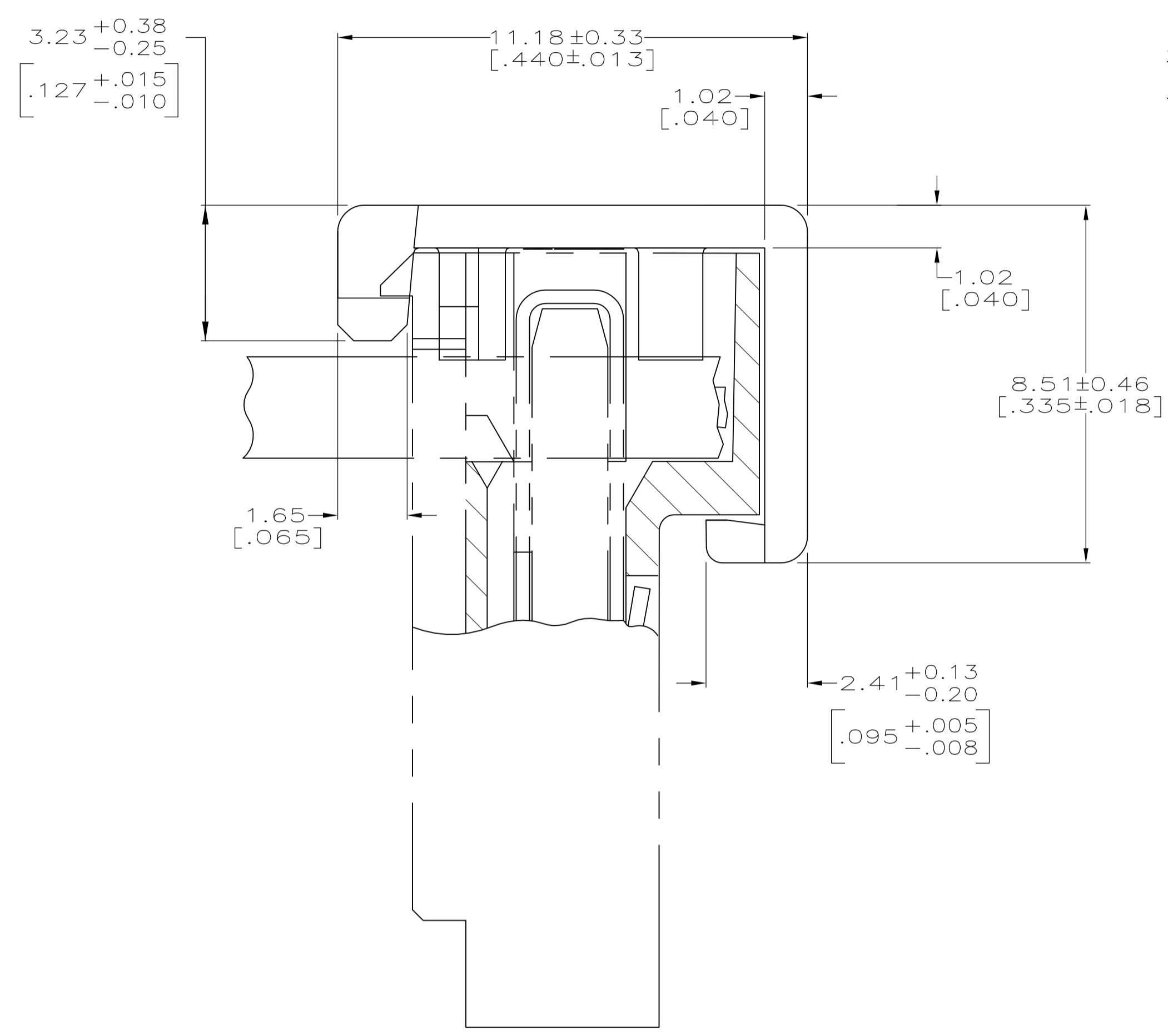
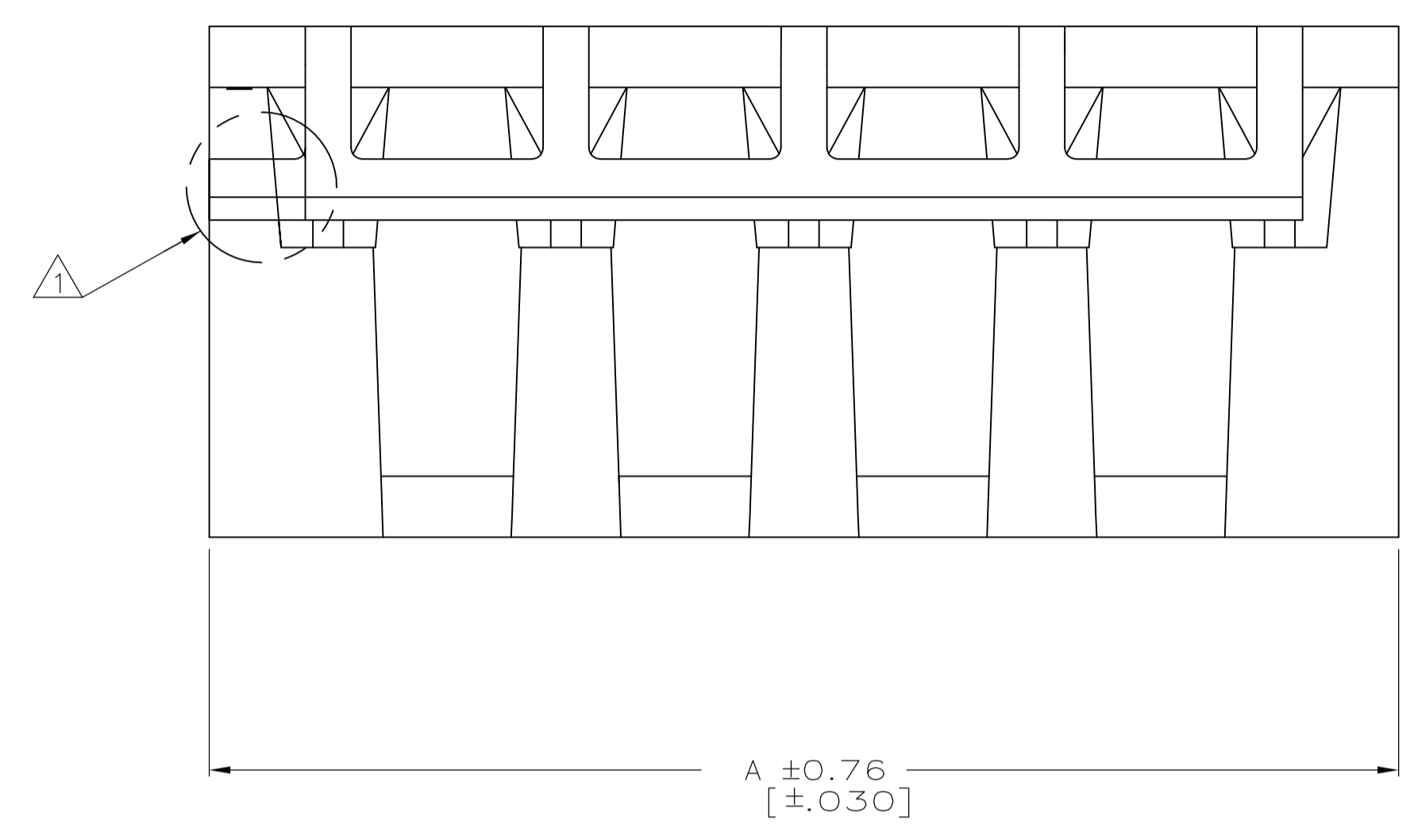
Contact us

Tel: +86-755-8981 8866 Fax: +86-755-8427 6832

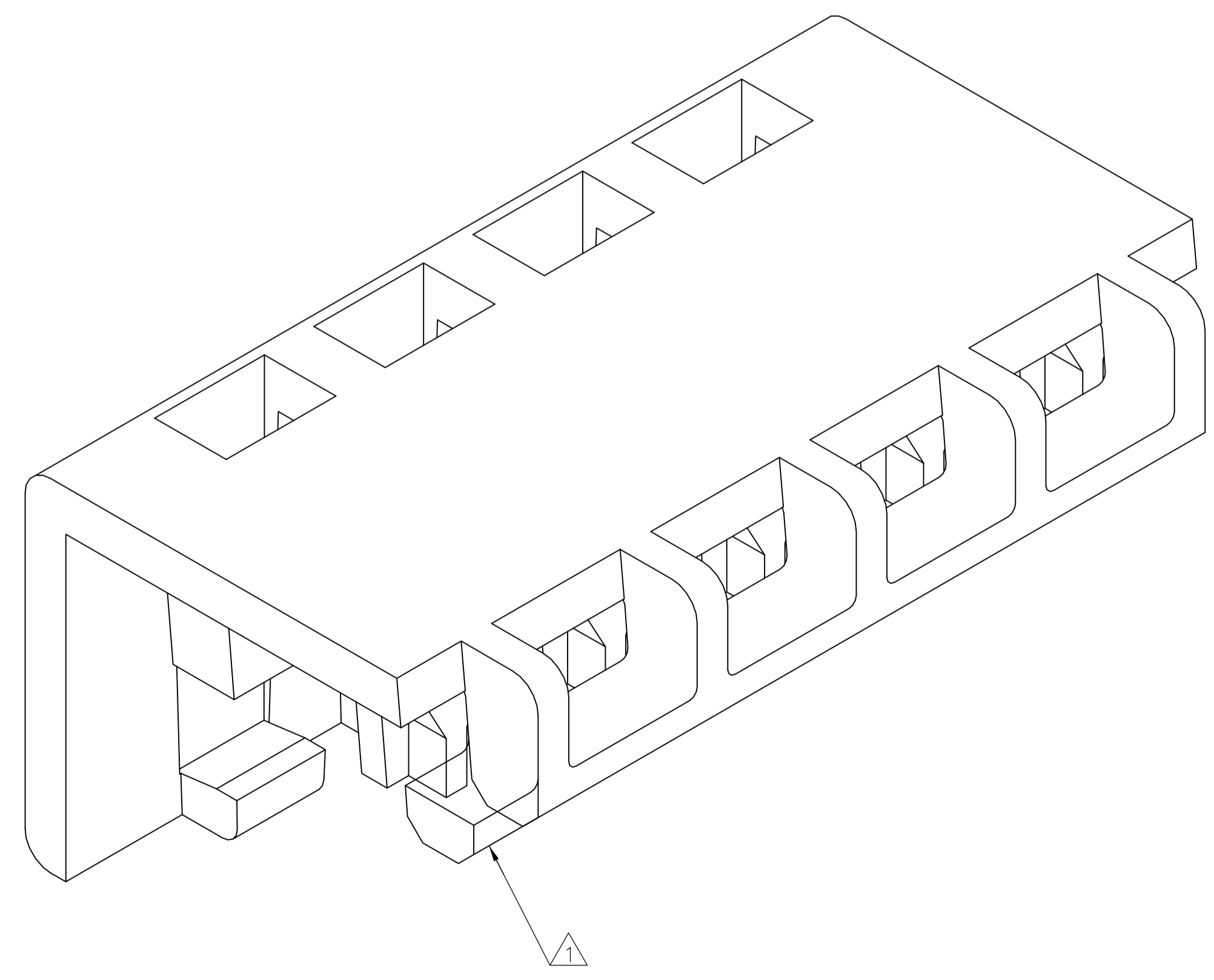
Email & Skype: info@chipsmall.com Web: www.chipsmall.com

Address: A1208, Overseas Decoration Building, #122 Zhenhua RD., Futian, Shenzhen, China





1. PART MAY BE MOLDED TO DESIRED POSITION SIZE OR CUT TO DESIRED POSITION SIZE FROM A LARGER POSITION SIZE PART. WHEN PART IS CUT TO DESIRED POSITION SIZE, A PORTION OF FRONT LOCKING BAR WILL REMAIN ATTACHED.
2. DIMENSIONS IN BRACKETS ARE IN INCHES.
3. TWO POSITION (-2) PARTS WILL BE MOLDED ONLY.



3-DIMENSIONAL MODEL NTS

24 CIRCUIT ASSEMBLIES	95.10	[3.744]	2-643067-4
23 CIRCUIT ASSEMBLIES	91.14	[3.588]	2-643067-3
22 CIRCUIT ASSEMBLIES	87.17	[3.432]	2-643067-2
21 CIRCUIT ASSEMBLIES	83.21	[3.276]	2-643067-1
20 CIRCUIT ASSEMBLIES	79.25	[3.120]	2-643067-0
19 CIRCUIT ASSEMBLIES	75.29	[2.964]	1-643067-9
18 CIRCUIT ASSEMBLIES	71.32	[2.808]	1-643067-8
17 CIRCUIT ASSEMBLIES	67.36	[2.652]	1-643067-7
16 CIRCUIT ASSEMBLIES	63.40	[2.496]	1-643067-6
15 CIRCUIT ASSEMBLIES	59.44	[2.340]	1-643067-5
14 CIRCUIT ASSEMBLIES	55.47	[2.184]	1-643067-4
13 CIRCUIT ASSEMBLIES	51.51	[2.028]	1-643067-3
12 CIRCUIT ASSEMBLIES	47.55	[1.872]	1-643067-2
11 CIRCUIT ASSEMBLIES	43.59	[1.716]	1-643067-1
10 CIRCUIT ASSEMBLIES	39.62	[1.560]	1-643067-0
9 CIRCUIT ASSEMBLIES	35.66	[1.404]	643067-9
8 CIRCUIT ASSEMBLIES	31.70	[1.248]	643067-8
7 CIRCUIT ASSEMBLIES	27.74	[1.092]	643067-7
6 CIRCUIT ASSEMBLIES	23.77	[.936]	643067-6
5 CIRCUIT ASSEMBLIES	19.81	[.780]	643067-5
4 CIRCUIT ASSEMBLIES	15.85	[.624]	643067-4
3 CIRCUIT ASSEMBLIES	11.89	[.468]	643067-3
2 CIRCUIT ASSEMBLIES	7.92	[.312]	643067-2
USE ON MTA 156 ASSEMBLIES AS LISTED		A	PART NO

THIS DRAWING IS A CONTROLLED DOCUMENT.		DIN	T. BECK	5-21-91
DIMENSIONS: INCHES		CHK	R. SWING	5-21-91
TOLERANCES UNLESS OTHERWISE SPECIFIED:		APVD	G. MILLER	5-22-91
0. PLC	± -	NAME		
1. PLC	± -	COVER, MOLDED, .095 MAX		
2. PLC	± -	O.D. WIRE, MTA-156		
3. PLC	± -	APPLICATION SPEC		
4. PLC	± 0.13 [.005]	SIZE		
ANGLES	± -	CAGE CODE		
MATERIAL	NYLON,UL 94V-2 WHITE	DRAWING NO		
FINISH	-	A1 00779 C=643067		
CUSTOMER DRAWING		WEIGHT		RESTRICTED TO
SCALE		10:1		SHEET 1 OF 1
REV		G1		