



Chipsmall Limited consists of a professional team with an average of over 10 year of expertise in the distribution of electronic components. Based in Hongkong, we have already established firm and mutual-benefit business relationships with customers from,Europe,America and south Asia,supplying obsolete and hard-to-find components to meet their specific needs.

With the principle of “Quality Parts,Customers Priority,Honest Operation,and Considerate Service”,our business mainly focus on the distribution of electronic components. Line cards we deal with include Microchip,ALPS,ROHM,Xilinx,Pulse,ON,Everlight and Freescale. Main products comprise IC,Modules,Potentiometer,IC Socket,Relay,Connector.Our parts cover such applications as commercial,industrial, and automotives areas.

We are looking forward to setting up business relationship with you and hope to provide you with the best service and solution. Let us make a better world for our industry!



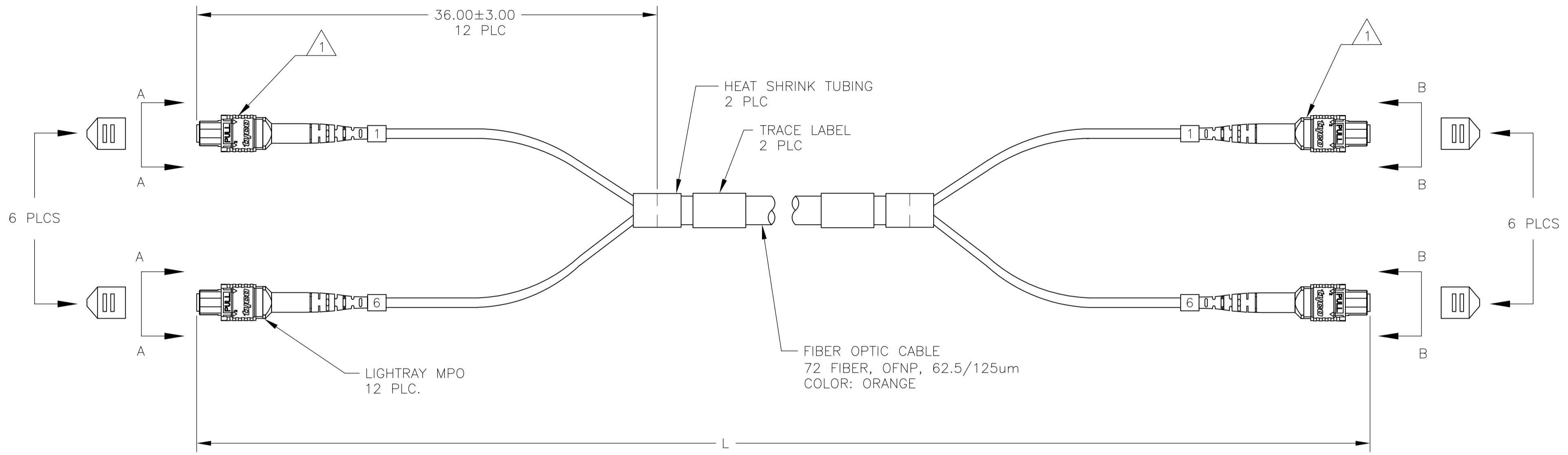
Contact us

Tel: +86-755-8981 8866 Fax: +86-755-8427 6832

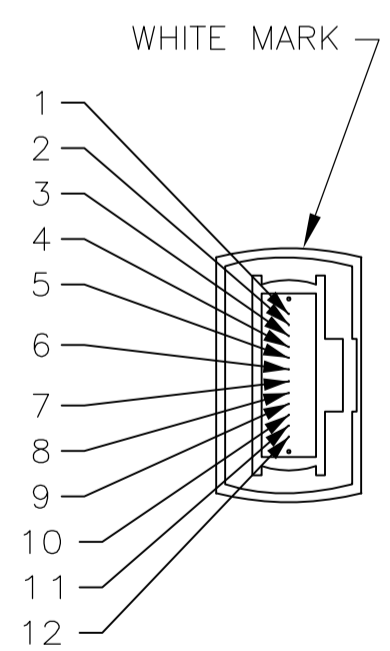
Email & Skype: info@chipsmall.com Web: www.chipsmall.com

Address: A1208, Overseas Decoration Building, #122 Zhenhua RD., Futian, Shenzhen, China

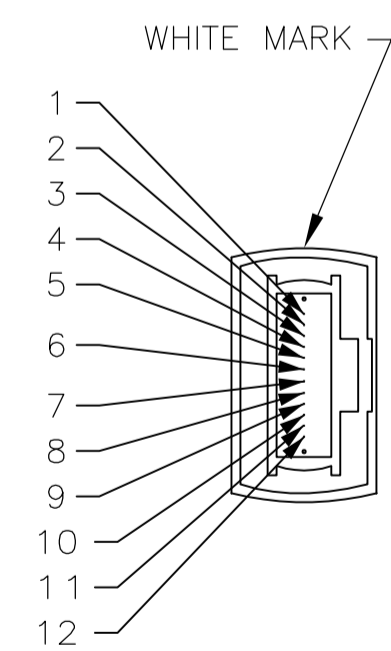




PAIRS FLIPPED

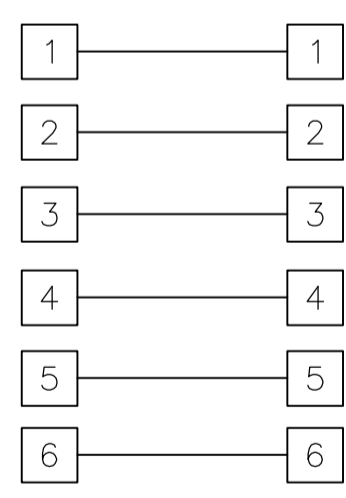


FIBER #	COLOR
1	BLUE
2	ORANGE
3	GREEN
4	BROWN
5	SLATE
6	WHITE
7	RED
8	BLACK
9	YELLOW
10	VIOLET
11	ROSE
12	AQUA



FIBER #	COLOR
1	ORANGE
2	BLUE
3	BROWN
4	GREEN
5	WHITE
6	SLATE
7	BLACK
8	RED
9	VIOLET
10	YELLOW
11	AQUA
12	ROSE

LIGHTRAY CONNECTOR FIBER PATH



- 1 WHITE MARK ON CONNECTOR BODY INDICATES FIBER ONE SIDE.
- 2 PULLING SOCK IS INSTALLED OVER ONE END SEE SHEET 3 FOR DETAIL.
- 3 PROTECTIVE COVER IS INSTALLED OVER ONE END (DO NOT PULL ON PROTECTIVE COVER) SEE SHEET 3 FOR DETAIL.
- 4 INSERTION LOSS IS EQUAL TO 0.75dB PLUS CABLE ATTENUATION.
5. A COPY OF TEST DATA WILL BE PLACED INSIDE OR WITH THE UNIT PACKAGE.
6. PRODUCT AND PROCESSING MUST MEET REQUIREMENTS OF TYCO ELECTRONICS STANDARD TEC-138-702.

VIEW A-A
NOT TO SCALE

VIEW B-B
NOT TO SCALE

THIS DRAWING IS A CONTROLLED DOCUMENT.		DWN J.W.DAVIS 02AUG06	Tyco Electronics Corporation Harrisburg Pa, 17105-3608	
DIMENSIONS: INCHES		CHK D.FENNELL 02AUG06	NAME CABLE ASSEMBLY, 62.5/125um, 72 FIBER, OFNP, PAIRS FLIPPED, MPO	
TOLERANCES UNLESS OTHERWISE SPECIFIED: 0 PLC ± - 1 PLC ± - 2 PLC ± - 3 PLC ± - 4 PLC ± - ANGLES ± - FINISH -		APVD D.FENNELL 02AUG06	PRODUCT SPEC APPLICATION SPEC	
MATERIAL		WEIGHT	SIZE A2	CAGE CODE 00779
		DRAWING NO 6435027		RESTRICTED TO
		CUSTOMER DRAWING		SCALE NTS
		SHEET 1 OF 3		REV B

THIS DRAWING IS UNPUBLISHED. RELEASED FOR PUBLICATION
 © COPYRIGHT BY TYCO ELECTRONICS CORPORATION. ALL RIGHTS RESERVED.

LOC	DIST	REVISIONS					
CE	16	P	LTR	DESCRIPTION	DATE	OWN	APVD
		-		SEE SHT 1	-	-	-

PART NUMBER	MIN LENGTH (FEET)	MAX LENGTH (FEET)	CONNECTOR LOSS (dB)
6435027-1	10.00	11.00	0.75
6435027-2	20.00	22.00	0.76
6435027-3	30.00	32.00	0.76
6435027-4	40.00	42.00	0.77
6435027-5	50.00	52.00	0.77
6435027-6	60.00	62.00	0.78
6435027-7	70.00	72.00	0.78
6435027-8	80.00	82.00	0.79
6435027-9	90.00	92.00	0.79
1-6435027-0	100.00	103.00	0.80
1-6435027-1	110.00	113.00	0.80
1-6435027-2	120.00	123.00	0.80
1-6435027-3	130.00	133.00	0.81
1-6435027-4	140.00	143.00	0.81
1-6435027-5	150.00	153.00	0.82
1-6435027-6	160.00	163.00	0.82
1-6435027-7	170.00	173.00	0.83
1-6435027-8	180.00	183.00	0.83
1-6435027-9	190.00	193.00	0.84
2-6435027-0	200.00	204.00	0.84
2-6435027-1	210.00	214.00	0.85
2-6435027-2	220.00	224.00	0.85
2-6435027-3	230.00	234.00	0.86
2-6435027-4	240.00	244.00	0.86
2-6435027-5	250.00	254.00	0.86
2-6435027-6	260.00	264.00	0.87
2-6435027-7	270.00	274.00	0.87
2-6435027-8	280.00	284.00	0.88
2-6435027-9	290.00	294.00	0.88
3-6435027-0	300.00	306.00	0.89
3-6435027-1	310.00	316.20	0.89
3-6435027-2	320.00	326.40	0.90
3-6435027-3	330.00	336.60	0.90
3-6435027-4	340.00	346.80	0.91
3-6435027-5	350.00	357.00	0.91
3-6435027-6	360.00	367.20	0.91
3-6435027-7	370.00	377.40	0.92
3-6435027-8	380.00	387.60	0.92
3-6435027-9	390.00	397.80	0.93
4-6435027-0	400.00	408.00	0.93
4-6435027-1	410.00	418.20	0.94
4-6435027-2	420.00	428.40	0.94
4-6435027-3	430.00	438.60	0.95
4-6435027-4	440.00	448.80	0.95
4-6435027-5	450.00	459.00	0.96
4-6435027-6	460.00	469.20	0.96
4-6435027-7	470.00	479.40	0.96
4-6435027-8	480.00	489.60	0.97
4-6435027-9	490.00	499.80	0.97
5-6435027-0	500.00	510.00	0.98

PART NUMBER	MIN LENGTH (FEET)	MAX LENGTH (FEET)	CONNECTOR LOSS (dB)
5-6435027-1	525.00	535.50	0.99
5-6435027-2	550.00	561.00	1.00
5-6435027-3	575.00	586.50	1.01
5-6435027-4	600.00	612.00	1.02
5-6435027-5	625.00	637.50	1.04
5-6435027-6	650.00	663.00	1.05
5-6435027-7	675.00	688.50	1.06
5-6435027-8	700.00	714.00	1.07
5-6435027-9	725.00	739.50	1.08
6-6435027-0	750.00	765.00	1.09
6-6435027-1	775.00	790.50	1.10
6-6435027-2	800.00	816.00	1.12
6-6435027-3	825.00	841.50	1.13
6-6435027-4	850.00	867.00	1.14
6-6435027-5	875.00	892.50	1.15
6-6435027-6	900.00	918.00	1.16
6-6435027-7	925.00	943.50	1.17
6-6435027-8	950.00	969.00	1.18
6-6435027-9	975.00	994.50	1.20
7-6435027-0	1000.00	1020.00	1.21

D

C

B

A

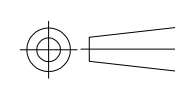
D

C

B

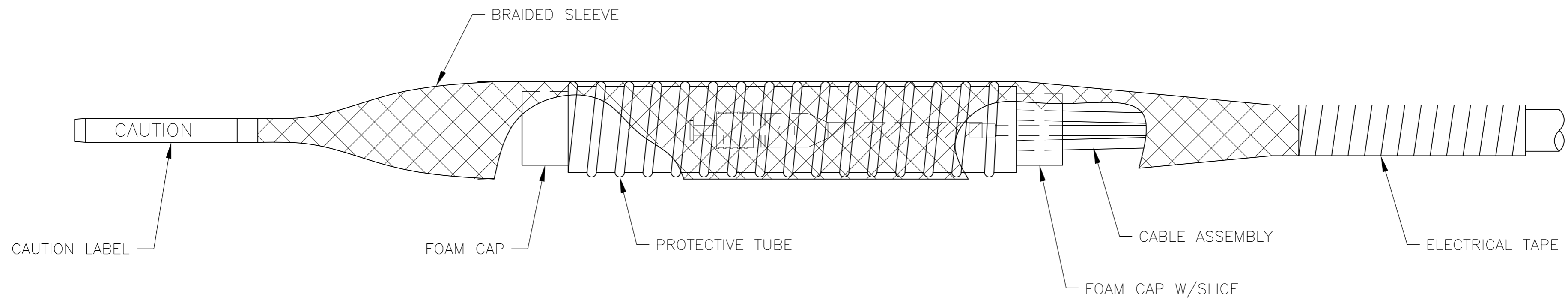
A

6435027

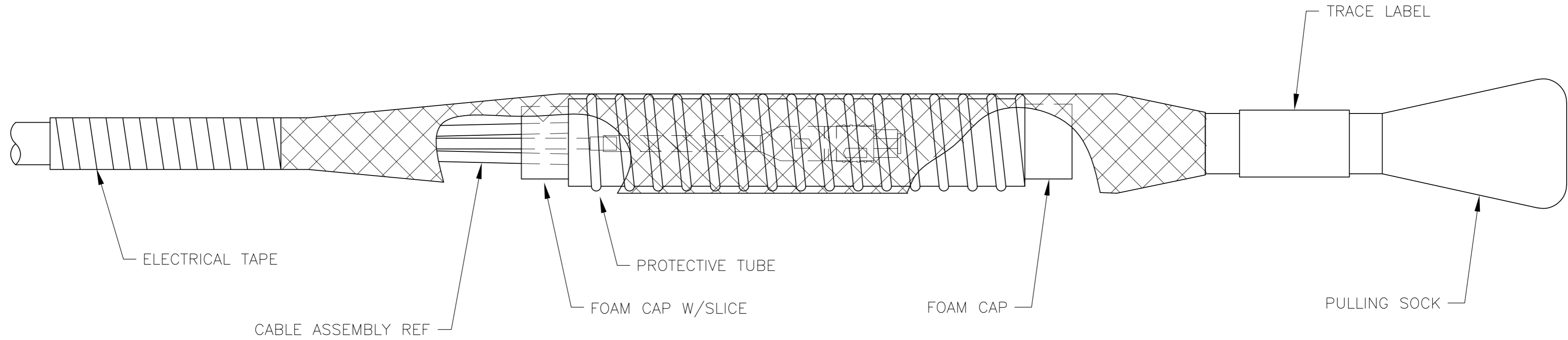
THIS DRAWING IS A CONTROLLED DOCUMENT.		DWN J.W.DAVIS 02AUG06	Tyco Electronics Corporation Harrisburg Pa, 17105-3608	
DIMENSIONS: INCHES		CHK D.FENNELL 02AUG06	NAME	
TOLERANCES UNLESS OTHERWISE SPECIFIED:		APVD D.FENNELL 02AUG06	CABLE ASSEMBLY, 62.5/125um, 72 FIBER, OFNP, PAIRS FLIPPED, MPO	
		PRODUCT SPEC	RESTRICTED TO	
MATERIAL		APPLICATION SPEC	SIZE A2	CAGE CODE 00779
FINISH		WEIGHT	DRAWING NO 6435027	REV B
CUSTOMER DRAWING			SCALE NTS	SHEET 2 OF 3

THIS DRAWING IS UNPUBLISHED. RELEASED FOR PUBLICATION
 © COPYRIGHT BY TYCO ELECTRONICS CORPORATION. ALL RIGHTS RESERVED.

LOC	DIST	REVISIONS			
P	LTR	DESCRIPTION	DATE	DWN	APVD
CE	16	SEE SHEET 1	-	-	-



3 PROTECTIVE COVER
BOTTOM END



2 PULLING SOCK
TOP END

THIS DRAWING IS A CONTROLLED DOCUMENT.		DWN J.W.DAVIS 02AUG06	Tyco Electronics Corporation Harrisburg Pa, 17105-3608	
DIMENSIONS: INCHES		CHK D.FENNELL 02AUG06	NAME D.FENNELL	
TOLERANCES UNLESS OTHERWISE SPECIFIED:		APVD D.FENNELL 02AUG06	PRODUCT SPEC	
0 PLC ± -		APPLICATION SPEC		
1 PLC ± -		WEIGHT -		
2 PLC ± -		SCALE A2 00779 C=6435027		
3 PLC ± -		RESTRICTED TO -		
4 PLC ± -		CUSTOMER DRAWING		
ANGLES ± -		SHEET 3 OF 3		
FINISH -		REV B		

6435027