



Chipsmall Limited consists of a professional team with an average of over 10 year of expertise in the distribution of electronic components. Based in Hongkong, we have already established firm and mutual-benefit business relationships with customers from,Europe,America and south Asia,supplying obsolete and hard-to-find components to meet their specific needs.

With the principle of “Quality Parts,Customers Priority,Honest Operation,and Considerate Service”,our business mainly focus on the distribution of electronic components. Line cards we deal with include Microchip,ALPS,ROHM,Xilinx,Pulse,ON,Everlight and Freescale. Main products comprise IC,Modules,Potentiometer,IC Socket,Relay,Connector.Our parts cover such applications as commercial,industrial, and automotives areas.

We are looking forward to setting up business relationship with you and hope to provide you with the best service and solution. Let us make a better world for our industry!



Contact us

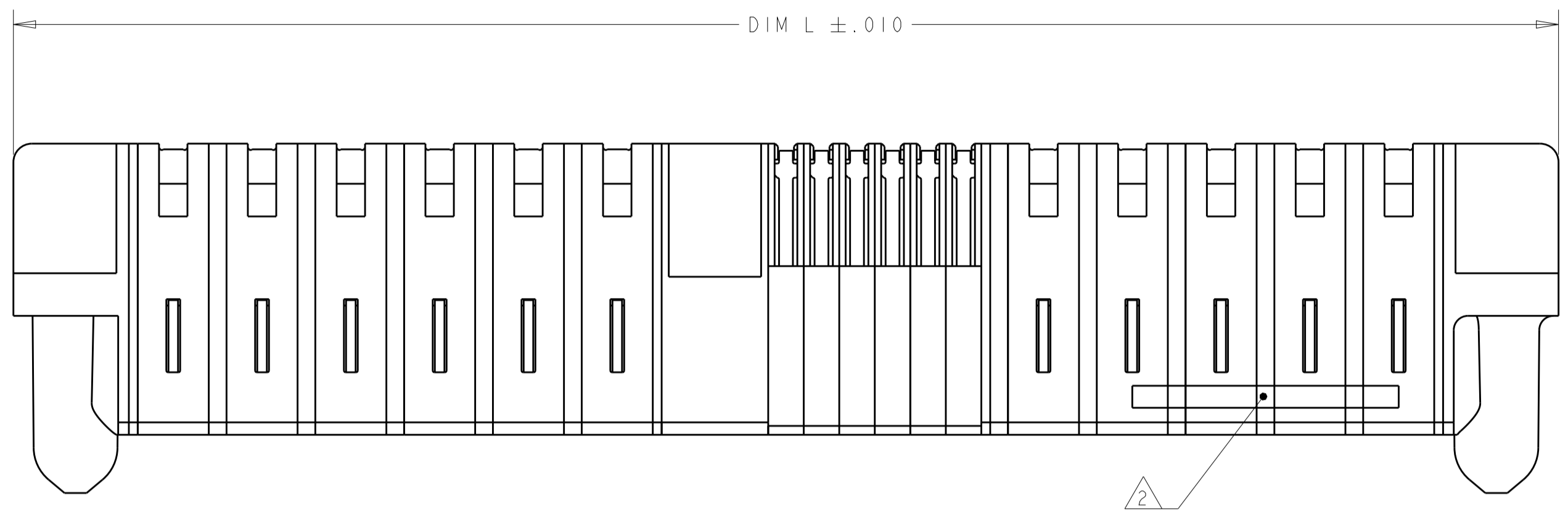
Tel: +86-755-8981 8866 Fax: +86-755-8427 6832

Email & Skype: info@chipsmall.com Web: www.chipsmall.com

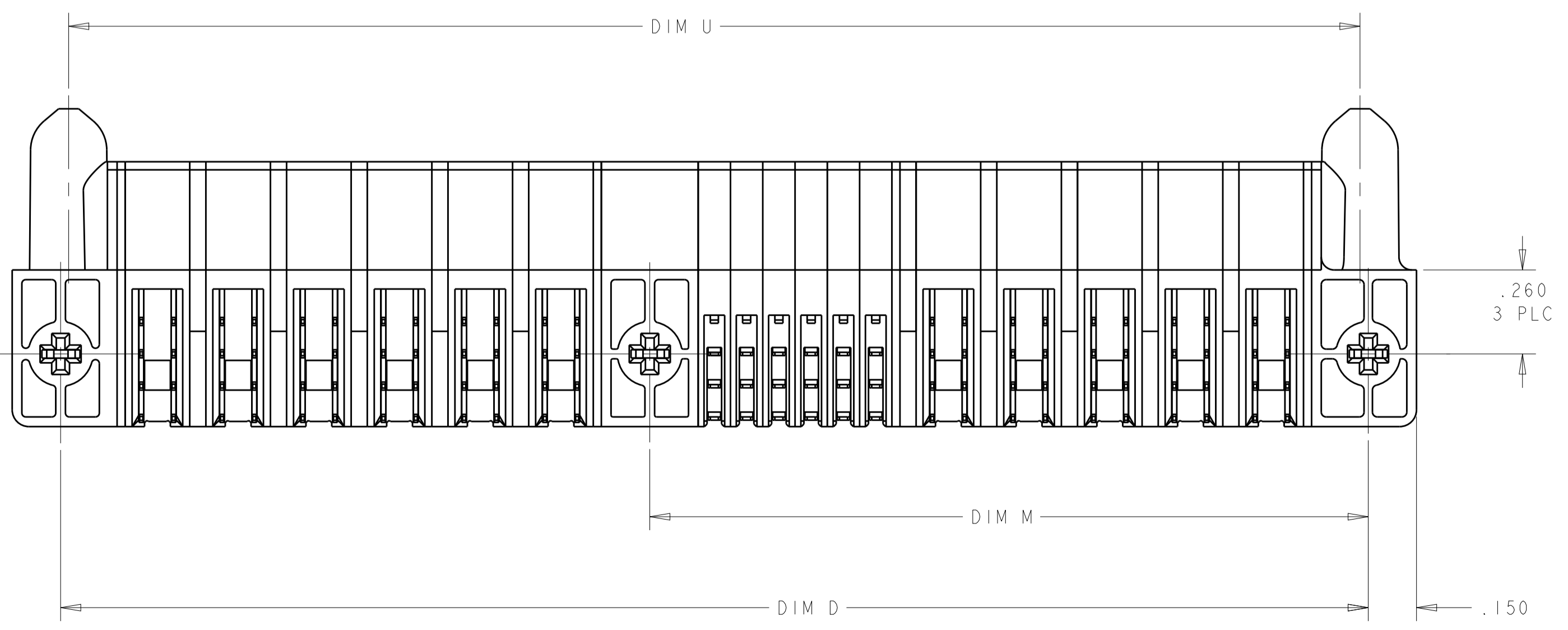
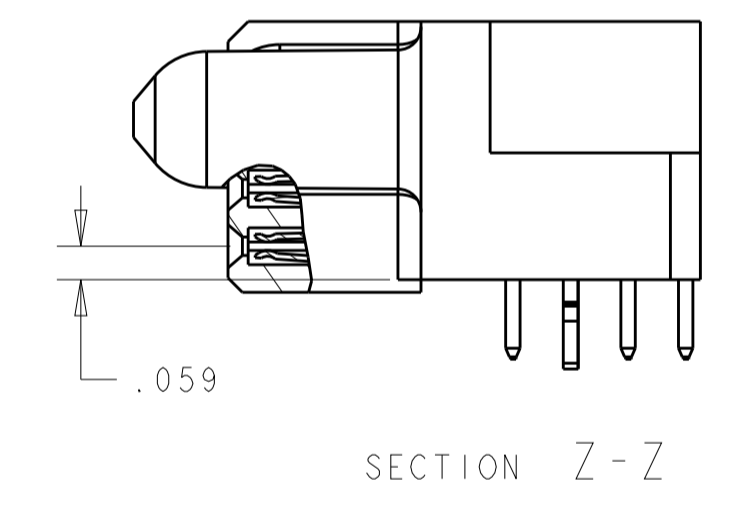
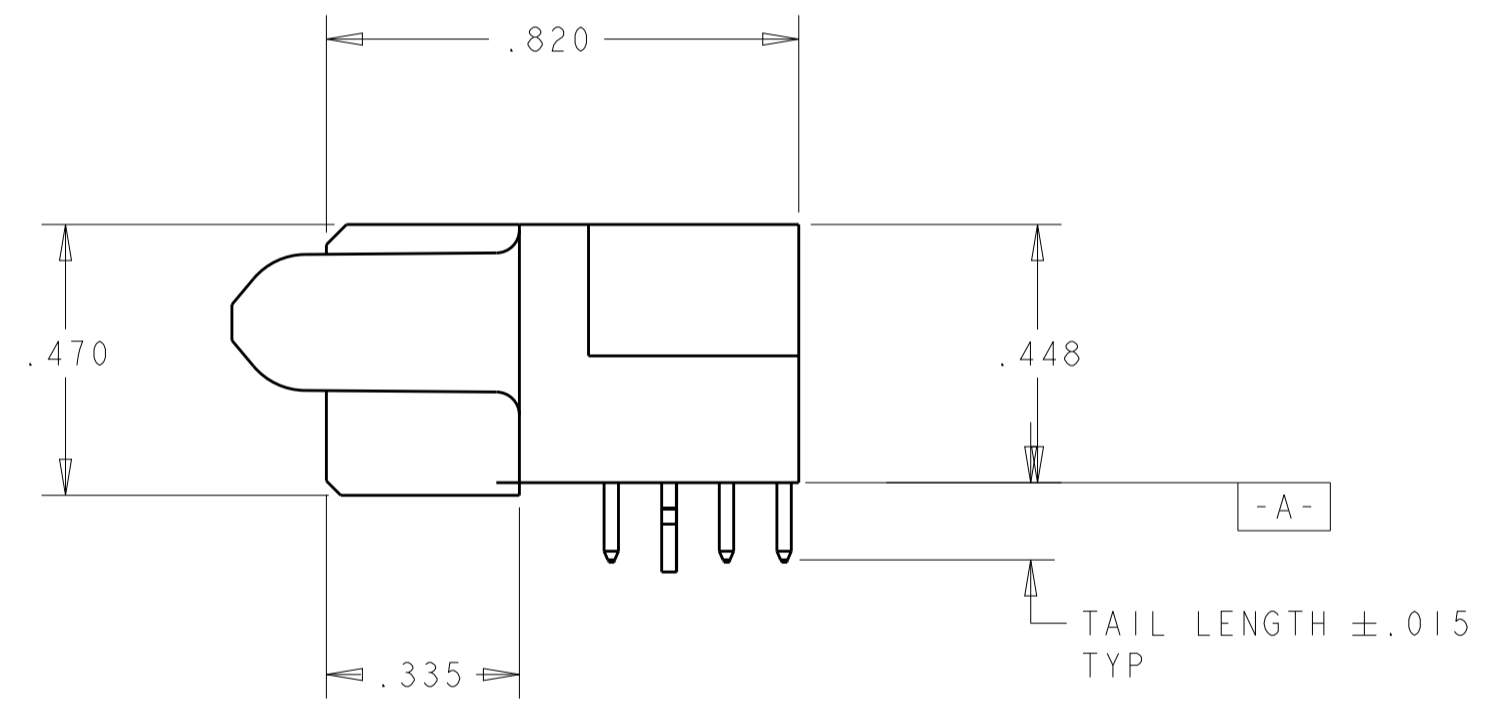
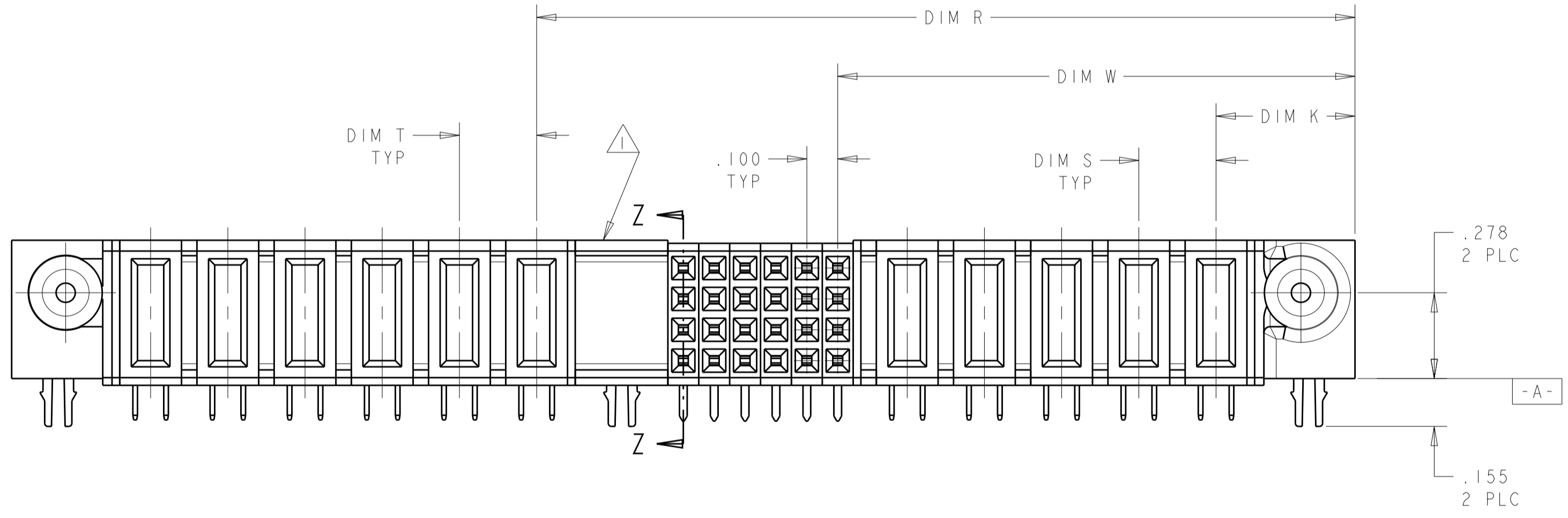
Address: A1208, Overseas Decoration Building, #122 Zhenhua RD., Futian, Shenzhen, China



| LOC | DIST | REVISIONS | | | | |
|-----|------|-----------|-----------------------|-----------|----|-----|
| | | REV | DESCRIPTION | DATE | BY | CHK |
| GP | 00 | E6 | REV PER ECR-12-010228 | 07JUN2012 | AY | SZ |
| | | E7 | REV PER ECR-12-016489 | 19SEP2012 | CZ | SZ |



- 1 OPTIONAL CENTER MODULE, WITH Ø.150 THRU HOLE OR HOLD DOWN FEATURE.
- 2 "AMP", PART NUMBER, AND DATE CODE TO BE MARKED IN AREA SHOWN.
- 3 MATERIAL: HOUSING - GLASS FILLED HIGH TEMP THERMO PLASTIC, BLACK, UL94 V-0
 SIGNAL CONTACT - HIGH CONDUCTIVITY COPPER ALLOY
 POWER CONTACT - HIGH CONDUCTIVITY COPPER ALLOY
- 4 CONTACT PLATING: NOBLE METAL PLATING ON CONTACT FUNCTIONAL AREA OF POWER AND SIGNAL CONTACTS
- 5 MECHANICAL CONNECTOR KEEP OUT ZONE.
- 6 DATUM AND BASIC DIMENSIONS ESTABLISHED BY CUSTOMER.
- 7 PCB- ALL HOLE DIAMETERS ARE FINISHED DIMENSIONS.
- 8 PCB- Ø.0453 +/- .0010 DRILLED HOLES PLATED WITH .0003 MIN Sn OVER .001-.003 CU PLATING TO ACHIEVE A Ø.040±.003 HOLE.




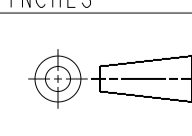
| | | | |
|---|---|---|-----------------|
| THIS DRAWING IS A CONTROLLED DOCUMENT. | | DWN: R.GRZYBOWSKI 21FEB05 CHK: M.PERCHEKKE 21FEB05 APVD: M.PERCHEKKE NAME: RIGHT ANGLE RECEPTACLE ASSEMBLY WITH GUIDES MULTI-BEAM XL | TE Connectivity |
| DIMENSIONS: INCHES 0 PLC ±. 1 PLC ±.01 2 PLC ±.01 3 PLC ±.005 4 PLC ±.002 ANGLES ±.2° | TOLERANCES UNLESS OTHERWISE SPECIFIED: 0 PLC ±. 1 PLC ±.01 2 PLC ±.01 3 PLC ±.005 4 PLC ±.002 ANGLES ±.2° | PRODUCT SPEC: 108-1973 APPLICATION SPEC: 114-13038 WEIGHT: - SCALE: 1:1 | |
| MATERIAL: 3 | | FINISH: 4 | |
| CUSTOMER DRAWING | | SCALE: 1:1 SHEET 1 OF 15 REV E8 | |

THIS DRAWING IS UNPUBLISHED. RELEASED FOR PUBLICATION 20
 © COPYRIGHT 20 BY - ALL RIGHTS RESERVED.

| LOC | DIST | REVISIONS | | | | | |
|-----|------|-----------|-----|-------------|------|-----|------|
| | | P | LTN | DESCRIPTION | DATE | DMN | APVD |
| GP | 00 | - | - | SEE SHEET 1 | - | - | - |
| | | | | | | | |
| | | | | | | | |

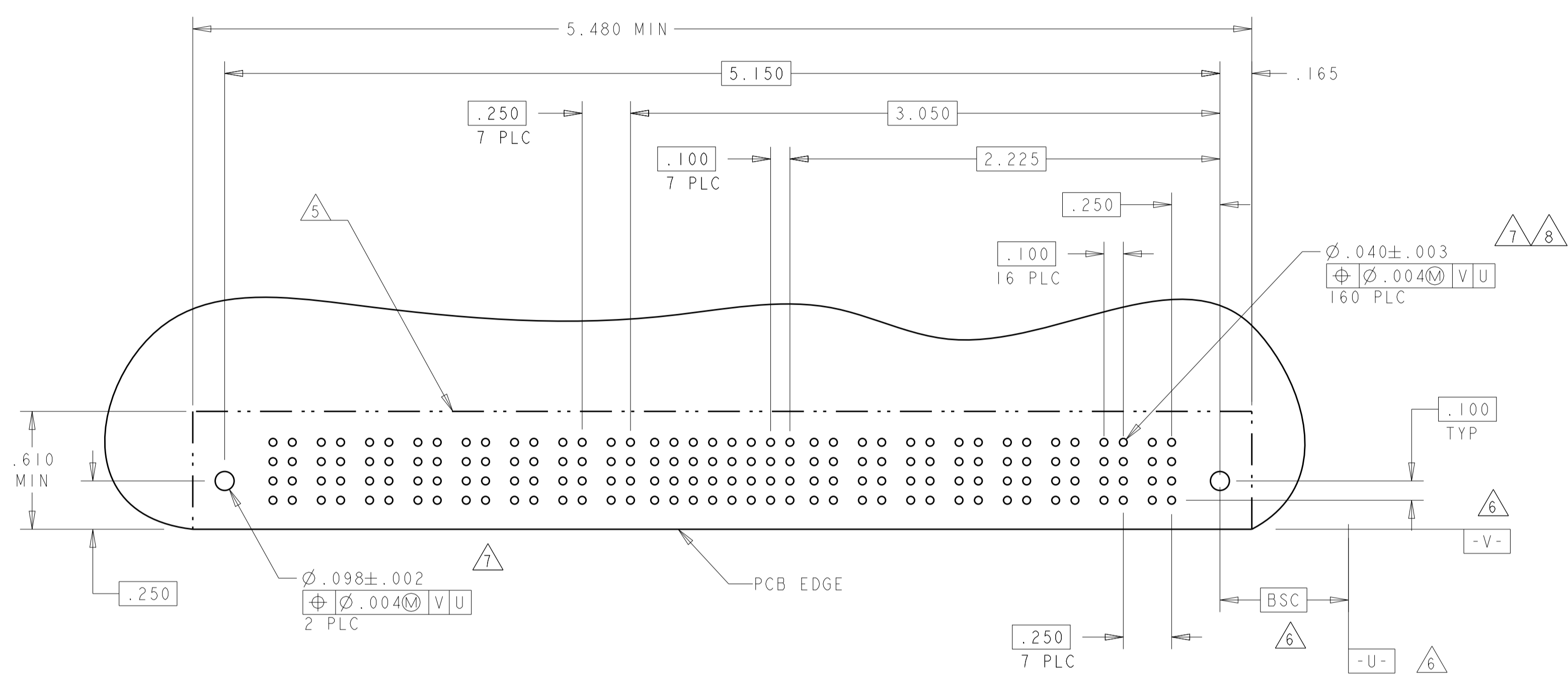
| | | | | | | | | | | | |
|----|-------|------|------|-------|-------|-------|-------|-------|------|--------------------|-------------|
| E7 | 2.000 | .250 | .250 | 1.650 | .925 | 2.050 | - | 2.350 | .450 | 2P + 24S + 2P | 4-6450160-5 |
| | 2.800 | - | - | - | 0.375 | 2.850 | - | 3.150 | - | 100S | 4-6450160-4 |
| | 1.100 | - | - | 1.000 | .625 | 1.150 | - | 1.450 | .450 | 1P + 12S + 1P | 4-6450160-1 |
| | 2.400 | .250 | .250 | 1.550 | .875 | 2.450 | - | 2.750 | .450 | 2P + 24S + 4P | 4-6450160-0 |
| | 4.700 | .250 | .250 | 2.850 | 2.375 | 4.750 | - | 5.050 | .450 | 8P + 16S + 8P | 3-6450160-9 |
| | 5.400 | .300 | .300 | 2.875 | 2.175 | 5.450 | - | 5.750 | .475 | 6P + 24S + 9P | 3-6450160-8 |
| | 2.900 | .250 | .250 | 2.050 | 1.375 | 2.950 | - | 3.250 | .450 | 4P + 24S + 4P | 3-6450160-7 |
| | 3.900 | .250 | .250 | 2.550 | 1.875 | 3.950 | - | 4.250 | .450 | 6P + 24S + 6P | 3-6450160-6 |
| | 3.800 | .250 | .250 | 3.450 | .875 | 3.850 | - | 4.150 | .450 | 2P + 100S + 2P | 3-6450160-4 |
| | 3.700 | .300 | .200 | 2.700 | 2.025 | 3.750 | - | 4.050 | .450 | 8P+24S+4ACP | 3-6450160-3 |
| | 2.800 | .300 | .250 | 2.075 | 1.375 | 2.850 | - | 3.150 | .450 | 4P + 24S + 3ACP | 3-6450160-2 |
| | 1.700 | .250 | .250 | 1.350 | .875 | 1.750 | - | 2.050 | .450 | 2P + 16S + 2P | 3-6450160-1 |
| | 4.375 | .300 | .250 | 3.375 | 2.375 | 3.450 | 2.950 | 4.725 | .450 | 8P+24S+1M+4ACP | 3-6450160-0 |
| | 4.100 | .250 | .300 | 2.250 | 1.575 | 4.150 | - | 4.450 | .475 | 4ACP + 24S + 8P | 2-6450160-9 |
| | 2.000 | .250 | .300 | 1.650 | 1.325 | 2.050 | - | 2.350 | .475 | 3ACP + 8S + 2P | 2-6450160-7 |
| | 2.600 | .200 | .200 | 1.900 | 1.225 | 2.650 | - | 2.950 | .450 | 4HDP + 24S + 4HDP | 2-6450160-6 |
| | 2.000 | .250 | .250 | 1.650 | .925 | 2.050 | - | 2.350 | .450 | 2P + 24S + 2P | 2-6450160-5 |
| | 4.000 | .250 | .250 | 2.650 | 1.675 | 4.050 | 2.225 | 4.350 | .450 | 5P + 24S + 1M + 6P | 2-6450160-0 |
| | 3.300 | .250 | .250 | 2.450 | 1.875 | 3.350 | - | 3.650 | .450 | 6P + 20S + 4P | 1-6450160-9 |
| | 4.675 | .300 | .250 | 3.950 | 3.375 | 4.725 | - | 5.025 | .450 | 12P + 20S + 3ACP | 1-6450160-8 |
| | 1.200 | - | - | 1.100 | .625 | 1.250 | - | 1.550 | .450 | 1P + 16S + 1P | 1-6450160-4 |
| | 3.250 | .250 | .250 | 2.900 | 1.125 | 3.300 | - | 3.600 | .450 | 3P + 68S + 2P | 1-6450160-3 |
| | .900 | - | - | - | .375 | .950 | - | 1.250 | - | 0P + 24S + 0P | 1-6450160-2 |
| | 1.900 | - | - | .975 | .625 | 1.950 | - | 2.250 | .450 | 1P + 12S + 5P | 1-6450160-1 |
| | 1.900 | .250 | .250 | 1.550 | .875 | 1.950 | - | 2.250 | .450 | 2P + 24S + 2P | 1-6450160-0 |
| | 3.300 | .250 | .250 | 2.450 | 1.875 | 3.350 | - | 3.650 | .450 | 6P + 20S + 4P | 6450160-9 |
| | 2.400 | .250 | .250 | 1.800 | 1.125 | 2.450 | - | 2.750 | .450 | 3P + 24S + 3P | 6450160-8 |
| | 3.050 | .250 | .300 | 1.950 | 1.275 | 3.100 | - | 3.400 | .475 | 3ACP + 24S + 5P | 6450160-7 |
| | 7.400 | .250 | .250 | 5.050 | 2.875 | 7.450 | - | 7.750 | .450 | 10P + 84S + 10P | 6450160-6 |
| | 4.000 | .250 | .250 | 2.650 | 1.675 | 4.050 | 2.225 | 4.350 | .450 | 5P + 24S + 1M + 6P | 6450160-5 |
| | 4.000 | .250 | .250 | 2.650 | 1.675 | 4.050 | 2.225 | 4.350 | .450 | 5P + 24S + 1M + 6P | 6450160-4 |
| | 1.575 | - | - | 1.425 | .700 | 1.625 | - | 1.925 | .475 | 1P + 24S + 1P | 6450160-3 |
| | 1.575 | - | - | 1.425 | .700 | 1.625 | - | 1.925 | .475 | 1P + 24S + 1P | 6450160-2 |
| | 5.100 | .250 | .250 | 3.250 | 2.375 | 5.150 | - | 5.450 | .450 | 8P + 32S + 8P | 6450160-1 |
| | U | T | S | R | W | D | M | L | K | DESCRIPTION | PART NUMBER |

E6 PART IS IN SHEET 15

| | | | |
|---|--|---------------------------------|--|
| THIS DRAWING IS A CONTROLLED DOCUMENT. | | DMN R. GRZYBOWSKI ZIFEB05 |  TE Connectivity |
| DIMENSIONS: INCHES | | CHK M. PERCHERKE ZIFEB05 | |
| TOLERANCES UNLESS OTHERWISE SPECIFIED: | | APVD M. PERCHERKE | NAME RIGHT ANGLE RECEPTACLE ASSEMBLY WITH GUIDES MULTI-BEAM XL |
|  | | PRODUCT SPEC 108-1973 | SIZE A100779 |
| MATERIAL | | APPLICATION SPEC 114-13038 | DRAWING NO C=6450160 |
| FINISH | | WEIGHT | RESTRICTED TO |
| CUSTOMER DRAWING | | SCALE 1:1 | SHEET 2 OF 15 |
| | | REV E8 | |

| LOC | | DIST | | REVISONS | | | |
|-----|----|------|-----|-------------|------|-----|------|
| GP | 00 | P | LTN | DESCRIPTION | DATE | OWN | APVD |
| | | | | SEE SHEET 1 | | | |

| PART NUMBER | ROWS | POWER | | | | | | | SIGNAL | | | | | | | POWER | | | | | | | | | | | | | |
|-------------|------------------|---------------|-----|-----|-----|-----|-----|-----|--------|---|---|---|---|---|---|-------|----|----|----|----|----|----|----|----|----|--|--|--|--|
| | | P16 | P15 | P14 | P13 | P12 | P11 | P10 | P9 | 8 | 7 | 6 | 5 | 4 | 3 | 2 | 1 | P8 | P7 | P6 | P5 | P4 | P3 | P2 | P1 | | | | |
| 6450160-1 | D C B A | RA | RA | RA | RA | RA | RA | RA | H | H | H | H | H | H | H | H | RA | RA | RA | RA | RA | RA | RA | RA | | | | | |
| | | 9' + 36S + 8P | | | | | | | | | | | | | | | | | | | | | | | | | | | |

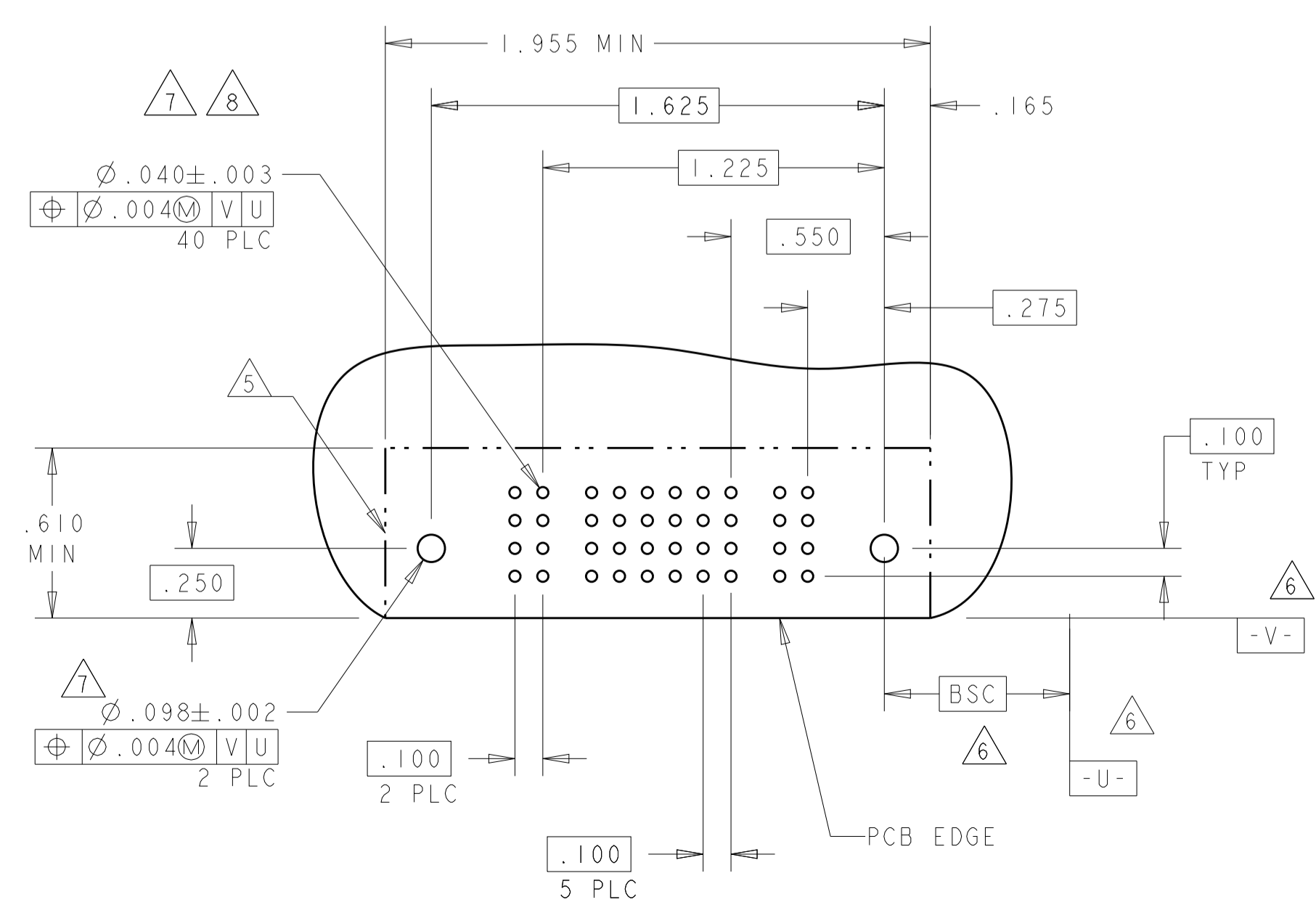
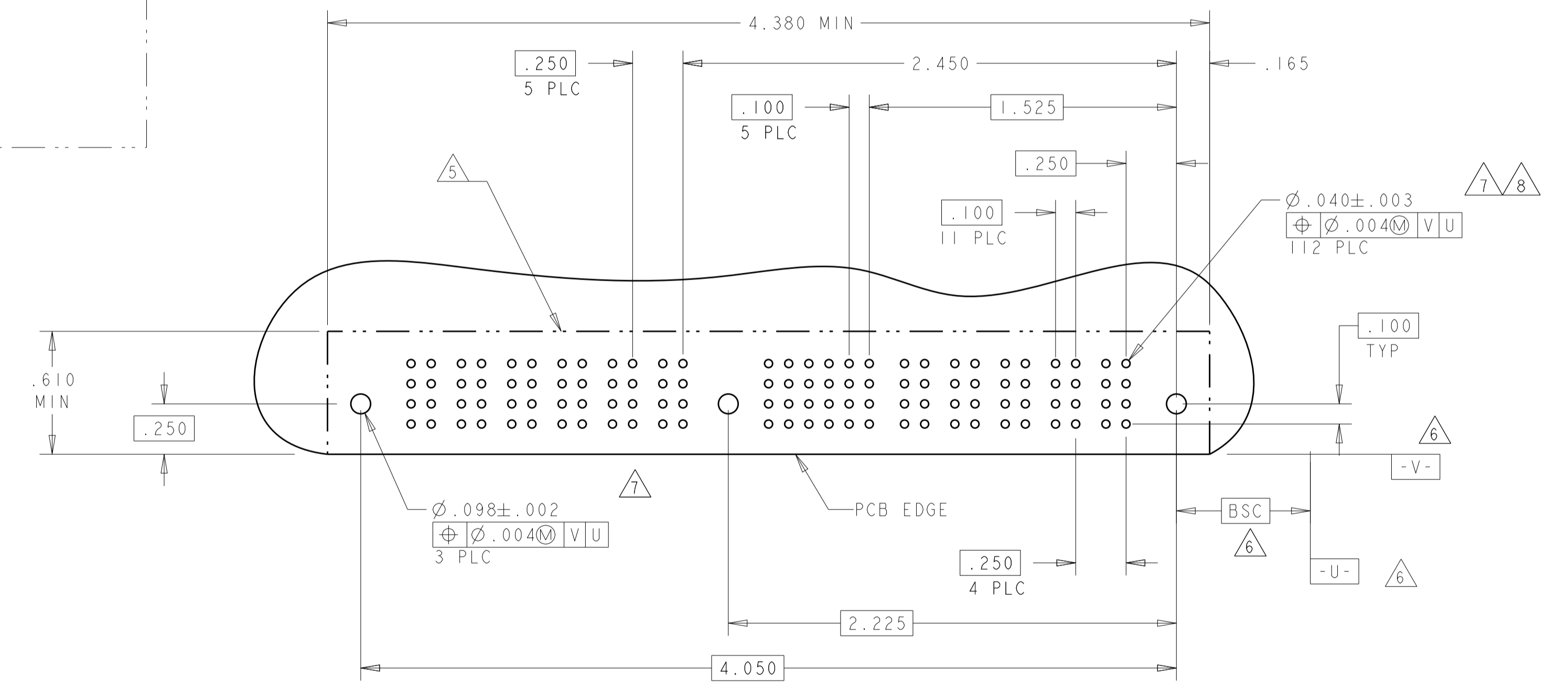


| PART NUMBER | ROWS | POWER | | | | | SIGNAL | | | | | POWER | | | | | | |
|-------------|------------------|--------------------|-----|----|----|----|--------|---|---|---|---|-------|---|----|----|----|----|----|
| | | P11 | P10 | P9 | P8 | P7 | M1 | 6 | 5 | 4 | 3 | 2 | 1 | P5 | P4 | P3 | P2 | P1 |
| 6450160-4 | D C B A | RB | RB | RB | RB | RB | L | L | L | L | L | L | L | RB | RB | RB | RB | RB |
| | | 5P + 24S + 1M + 6P | | | | | | | | | | | | | | | | |

| PART NUMBER | ROWS | POWER | | | | | SIGNAL | | | | | POWER | | | | | | |
|-------------|------------------|--------------------|-----|----|----|----|--------|---|---|---|---|-------|---|----|----|----|----|----|
| | | P11 | P10 | P9 | P8 | P7 | M1 | 6 | 5 | 4 | 3 | 2 | 1 | P5 | P4 | P3 | P2 | P1 |
| 6450160-5 | D C B A | RA | RA | RA | RA | RA | H | H | H | H | H | H | H | RA | RA | RA | RA | RA |
| | | 5P + 24S + 1M + 6P | | | | | | | | | | | | | | | | |

| PART NUMBER | ROWS | POWER | | | | | SIGNAL | | | | | POWER | | | | | | | | | | | | | | | |
|-------------|------------------|---------------|---|---|---|---|--------|---|----|----|---|-------|---|---|---|---|----|---|---|---|---|---|---|---|--|--|--|
| | | P2 | 6 | 5 | 4 | 3 | 2 | 1 | P1 | P2 | 6 | 5 | 4 | 3 | 2 | 1 | P1 | | | | | | | | | | |
| 6450160-2 | D C B A | RB | L | L | L | L | L | L | K | K | K | K | K | K | K | K | RB | L | L | L | L | L | L | L | | | |
| | | 1P + 24S + 1P | | | | | | | | | | | | | | | | | | | | | | | | | |

| PART NUMBER | ROWS | POWER | | | | | SIGNAL | | | | | POWER | | | | | | | | | | | | | | | |
|-------------|------------------|---------------|---|---|---|---|--------|---|----|----|---|-------|---|---|---|---|----|---|---|---|---|---|---|---|--|--|--|
| | | P2 | 6 | 5 | 4 | 3 | 2 | 1 | P1 | P2 | 6 | 5 | 4 | 3 | 2 | 1 | P1 | | | | | | | | | | |
| 6450160-3 | D C B A | RA | H | H | H | H | H | H | G | G | G | G | G | G | G | G | RA | H | H | H | H | H | H | H | | | |
| | | 1P + 24S + 1P | | | | | | | | | | | | | | | | | | | | | | | | | |



| CODE | TAIL LENGTH | DESCRIPTION |
|------|-------------|-------------|
| RN | .090 | STD |
| RM | .135 | STD |
| RA | .135 | MFBL |
| RB | .090 | MFBL |

POWER CONTACT

| CODE | TAIL LENGTH | ROW |
|------|-------------|-----|
| L | .090 | D |
| K | .090 | C |
| J | .090 | B |
| I | .090 | A |
| H | .135 | D |
| G | .135 | C |
| F | .135 | B |
| E | .135 | A |

SIGNAL CONTACT

THIS DRAWING IS A CONTROLLED DOCUMENT.

| | | | |
|------------------|--|--------------------|---------------|
| DIMENSIONS: | TOLERANCES UNLESS OTHERWISE SPECIFIED: | OWN: R. GRZYBOWSKI | 21FEB05 |
| INCHES | 0 PLC ± .01 | CHK: M. PERCHERKE | 21FEB05 |
| | 1 PLC ± .01 | APVD: M. PERCHERKE | |
| | 2 PLC ± .01 | PRODUCT SPEC | |
| | 3 PLC ± .005 | 108-1973 | |
| | 4 PLC ± .002 | APPLICATION SPEC | |
| | ANGLES ± .2° | 114-13038 | |
| MATERIAL: | FINISH: | WEIGHT: | |
| CUSTOMER DRAWING | | SCALE: 1:1 | SHEET 3 OF 15 |

STE TE Connectivity

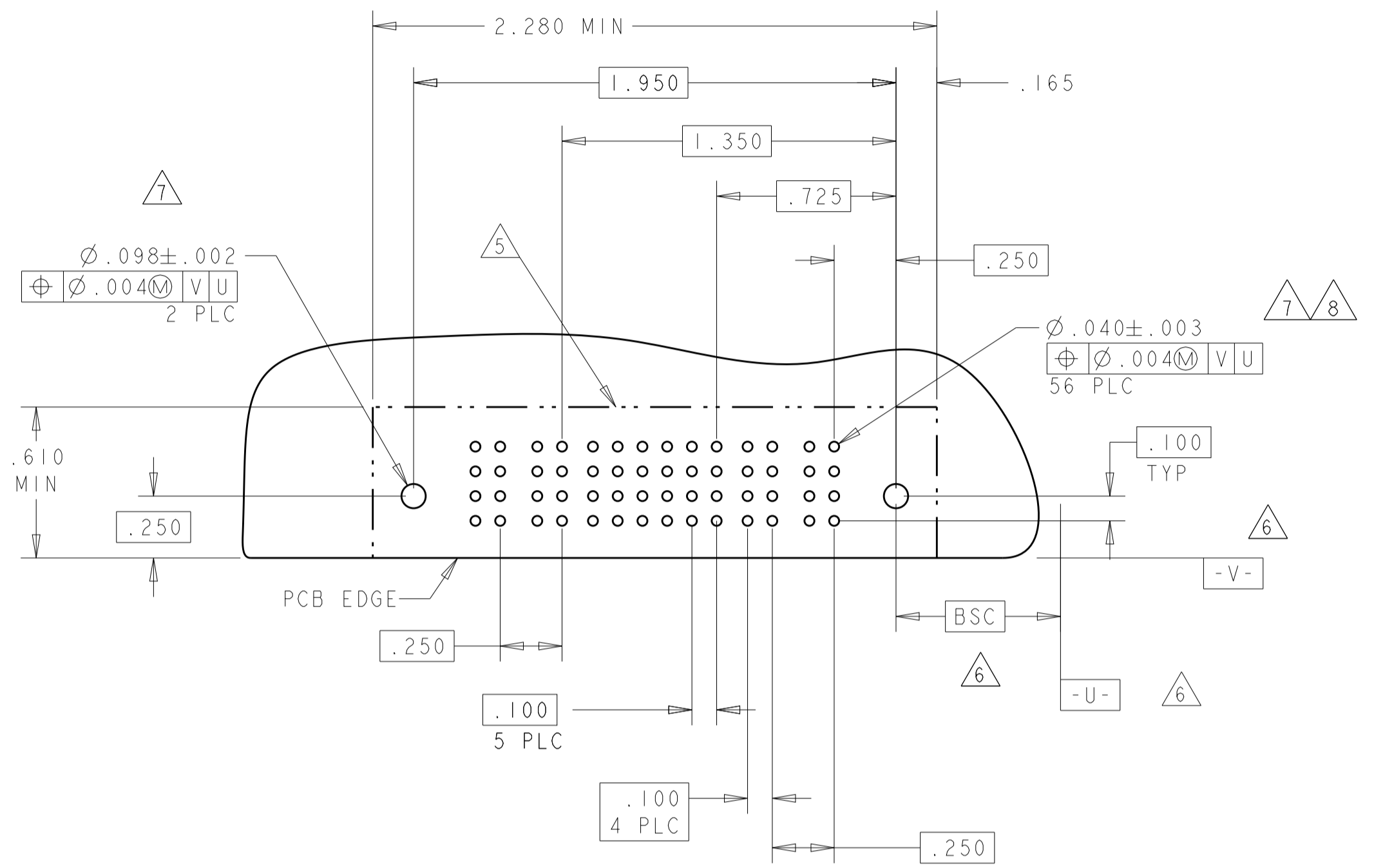
RIGHT ANGLE RECEPTACLE ASSEMBLY WITH GUIDES MULTI-BEAM XL

SIZE: A100779 CAGE CODE: 6450160 DRAWING NO: 108-1973

RESTRICTED TO: REV: E8

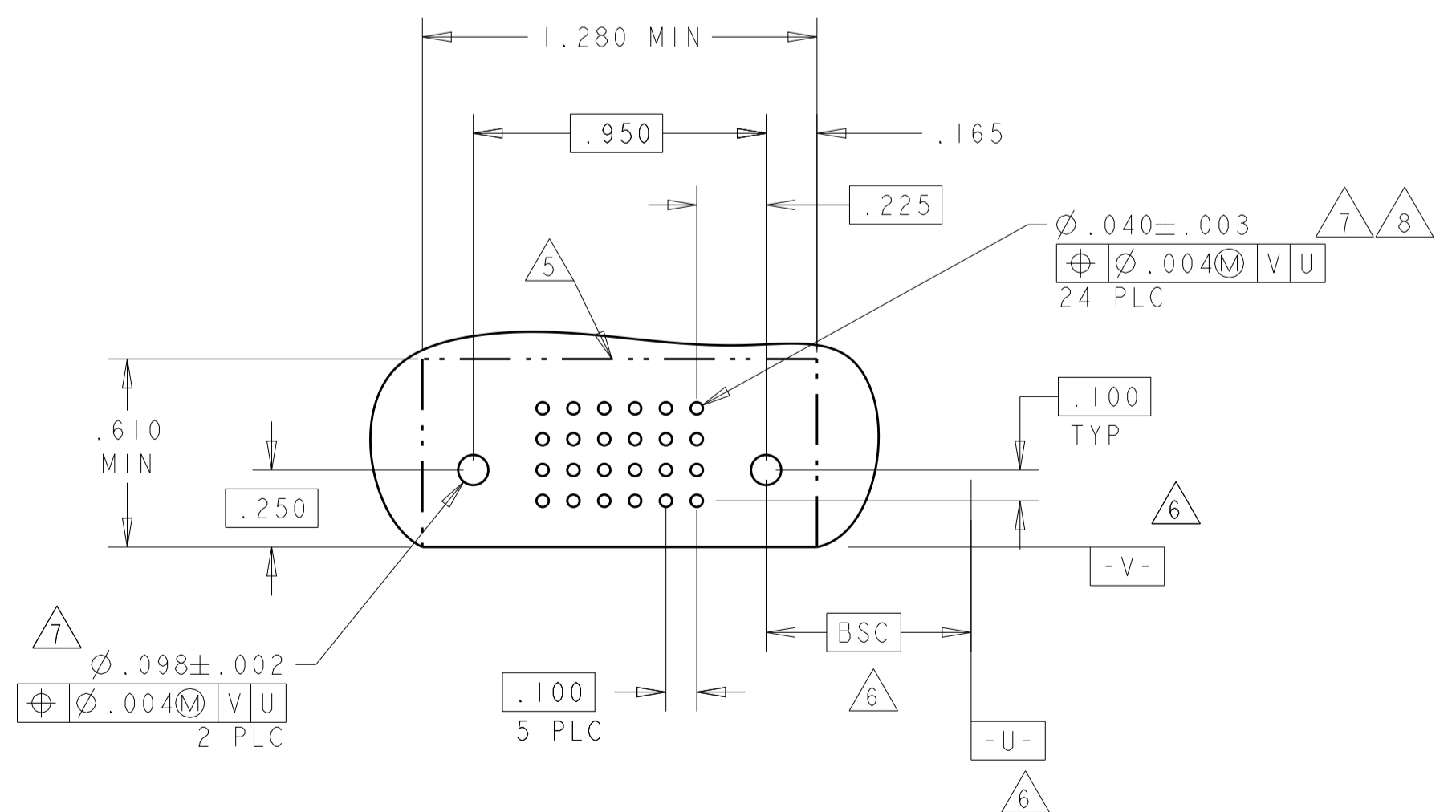
| PART NUMBER | ROWS | POWER | | SIGNAL | | | | POWER | | |
|-------------|------------------|-------|----|--------|---|---|---|-------|----|----|
| | | P4 | P3 | 6 | 5 | 4 | 3 | 2 | 1 | P2 |
| I-6450160-0 | D C B A | RA | RA | H | H | H | H | H | RA | RA |
| | | | | G | G | G | G | G | | |
| | | | | F | F | F | F | F | | |

2P + 24S + 2P



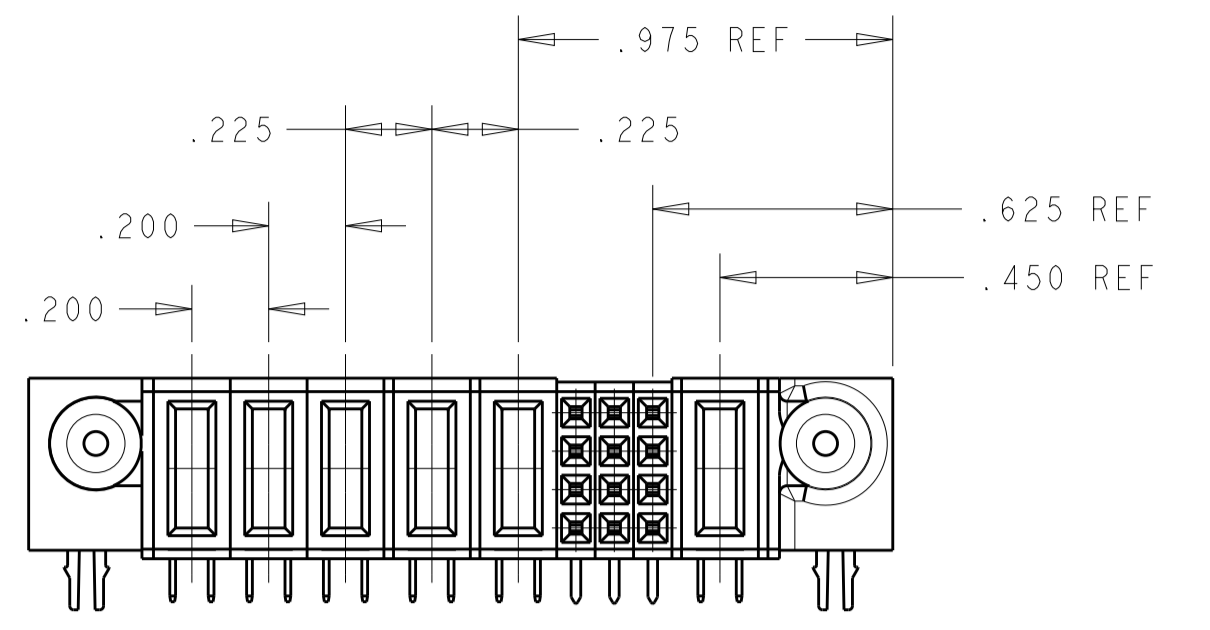
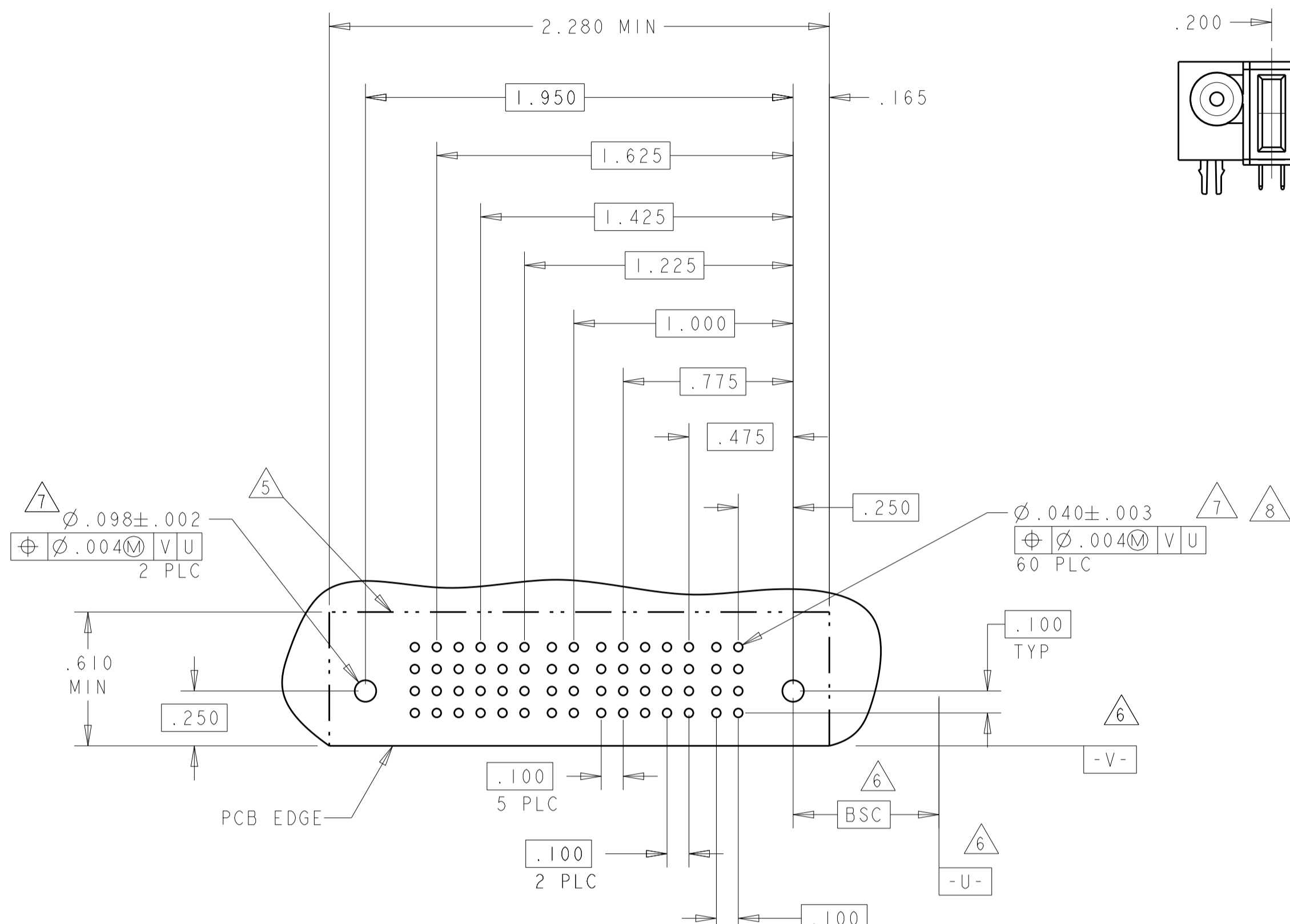
| PART NUMBER | ROWS | SIGNAL | | | | | |
|-------------|------------------|--------|---|---|---|---|---|
| | | 6 | 5 | 4 | 3 | 2 | 1 |
| I-6450160-2 | D C B A | L | L | L | L | L | L |
| | | K | K | K | K | K | K |
| | | J | J | J | J | J | J |

0P + 24S + 0P



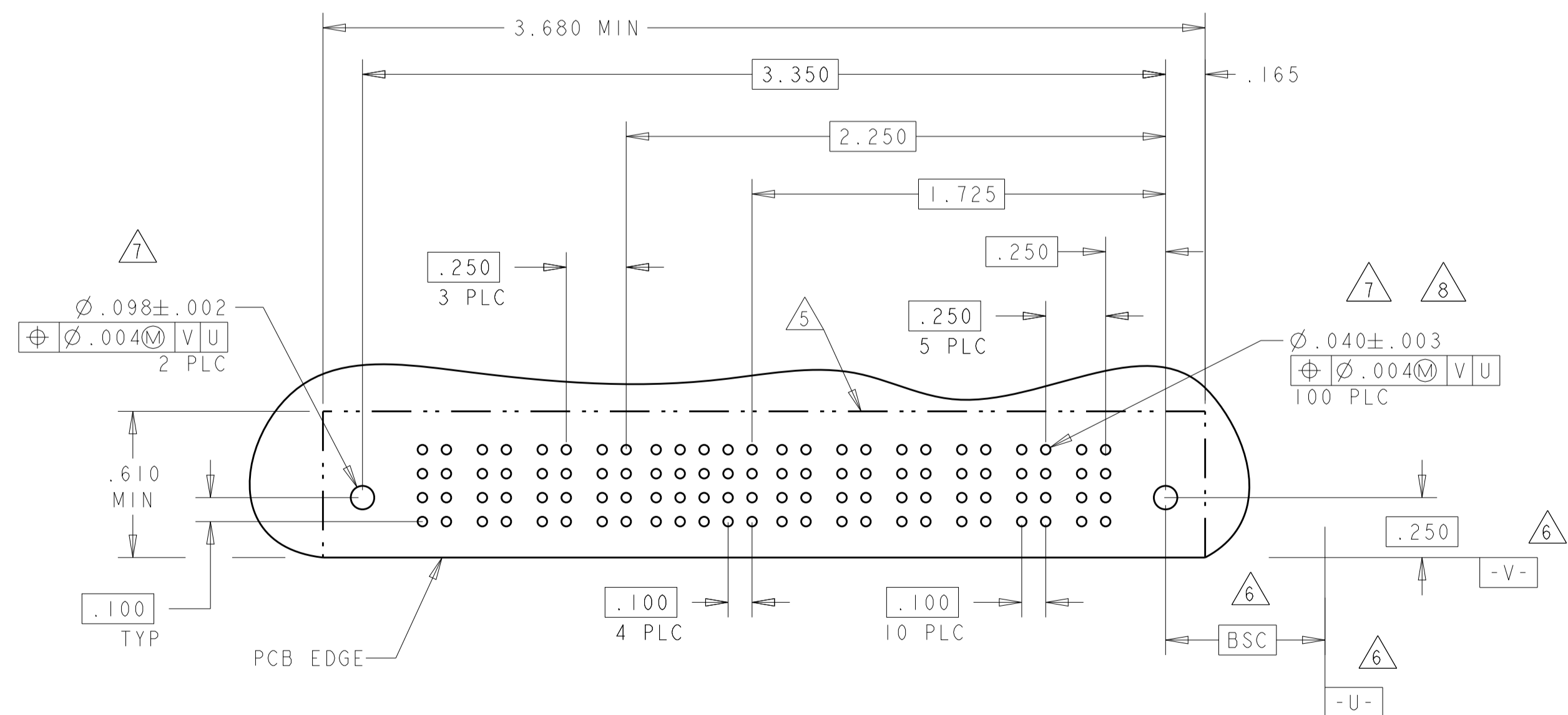
| PART NUMBER | ROWS | POWER | | | | SIGNAL POWER | | | | |
|-------------|------------------|-------|----|----|----|--------------|---|---|---|----|
| | | P6 | P5 | P4 | P3 | 2 | 3 | 2 | 1 | P1 |
| I-6450160-1 | D C B A | RA | RA | RA | RA | H | H | H | H | RA |
| | | | | | | G | G | G | G | |
| | | | | | | F | F | F | F | |

1P + 12S + 5P



| PART NUMBER | ROWS | POWER | | | | SIGNAL | | | | POWER | | | | | | |
|-------------|------------------|-------|----|----|----|--------|---|---|---|-------|----|----|----|----|----|----|
| | | P10 | P9 | P8 | P7 | 5 | 4 | 3 | 2 | 1 | P6 | P5 | P4 | P3 | P2 | P1 |
| I-6450160-9 | D C B A | RA | RA | RA | RA | H | H | H | H | H | RA | RA | RA | RA | RA | RA |
| | | | | | | G | G | G | G | G | | | | | | |
| | | | | | | F | F | F | F | F | | | | | | |

6P + 20S + 4P

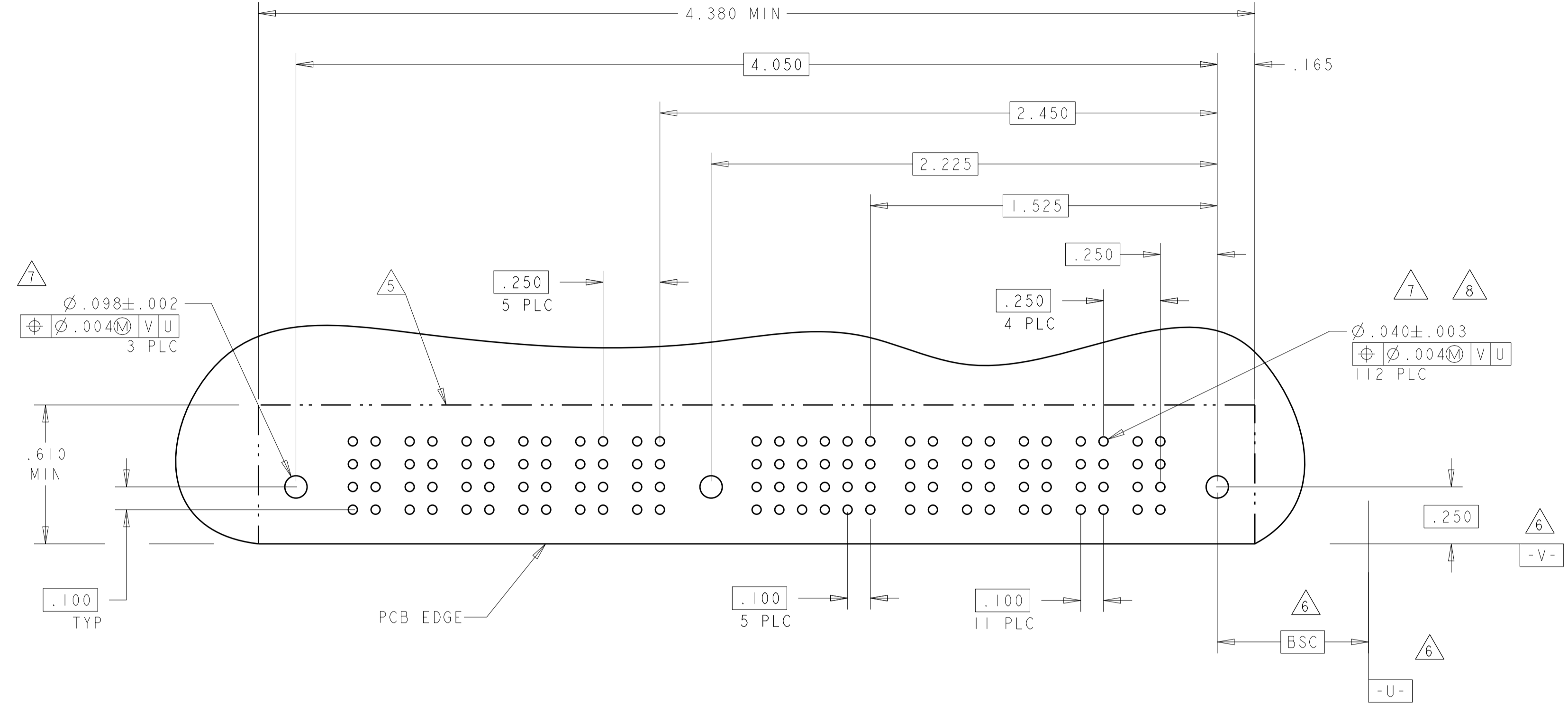


THIS DRAWING IS A CONTROLLED DOCUMENT. OWN: R. GRZYBOWSKI, Z1FEB05. CHK: M. PERCHERKE, Z1FEB05. APVD: M. PERCHERKE. NAME: RIGHT ANGLE RECEPTACLE ASSEMBLY WITH GUIDES MULTI-BEAM XL. DIMENSIONS: INCHES. TOLERANCES UNLESS OTHERWISE SPECIFIED: 0 PLC ±.01, 1 PLC ±.01, 2 PLC ±.01, 3 PLC ±.005, 4 PLC ±.002, ANGLES ±.002. MATERIAL: FINISH: ***. WEIGHT: 114-13038. SCALE: 1:1. SHEET 5 OF 15. REV: E8.

| LOC | DIST | REVISIONS | | | |
|-----|------|-------------|------|-----|------|
| P | LTN | DESCRIPTION | DATE | DWN | APVD |
| GP | 00 | SEE SHEET 1 | | | |

| PART NUMBER | ROWS | POWER | | | | | SIGNAL | | | | | POWER | | | | | | |
|-------------|------------------|-------|-----|----|----|----|--------|----|---|---|---|-------|---|----|----|----|----|----|
| | | P11 | P10 | P9 | P8 | P7 | P6 | M1 | 6 | 5 | 4 | 3 | 2 | 1 | P5 | P4 | P3 | P2 |
| 2-6450160-0 | D C B A | RA | RA | RA | RA | RA | RA | H | H | H | H | H | H | RA | RA | RA | RA | RA |
| | | HD | | | | | HD | E | E | E | E | E | E | | | | | |

5P + 24S + 1M + 6P



| PART NUMBER | ROWS | POWER | | SIGNAL | | | | | POWER | | |
|-------------|------------------|-------|----|--------|---|---|---|---|-------|----|----|
| | | P4 | P3 | 6 | 5 | 4 | 3 | 2 | 1 | P2 | P1 |
| 2-6450160-5 | D C B A | RM | RM | L | L | L | L | L | L | RM | RM |
| | | HD | | J | J | J | J | J | J | | |
| | | | | T | T | T | T | T | T | | |

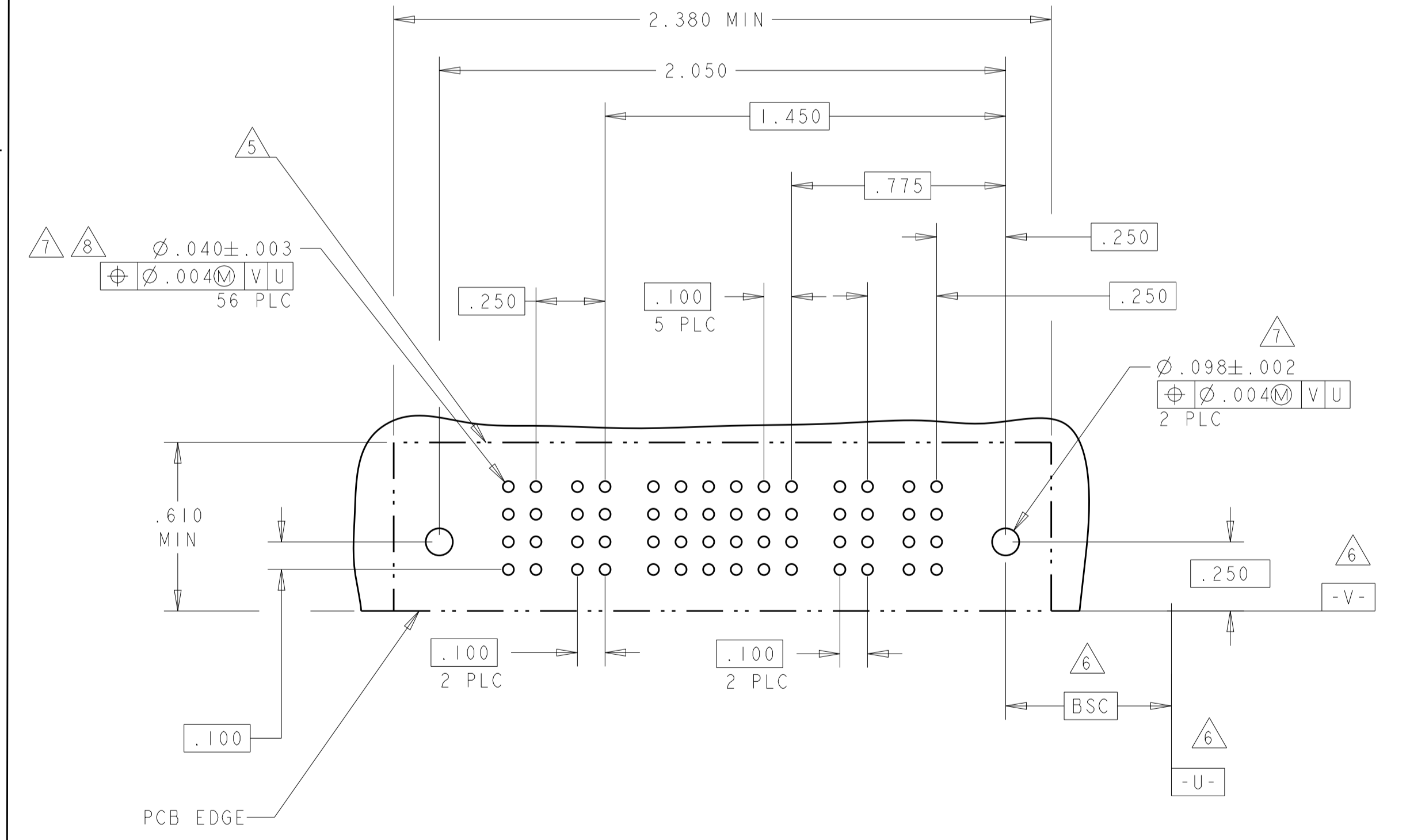
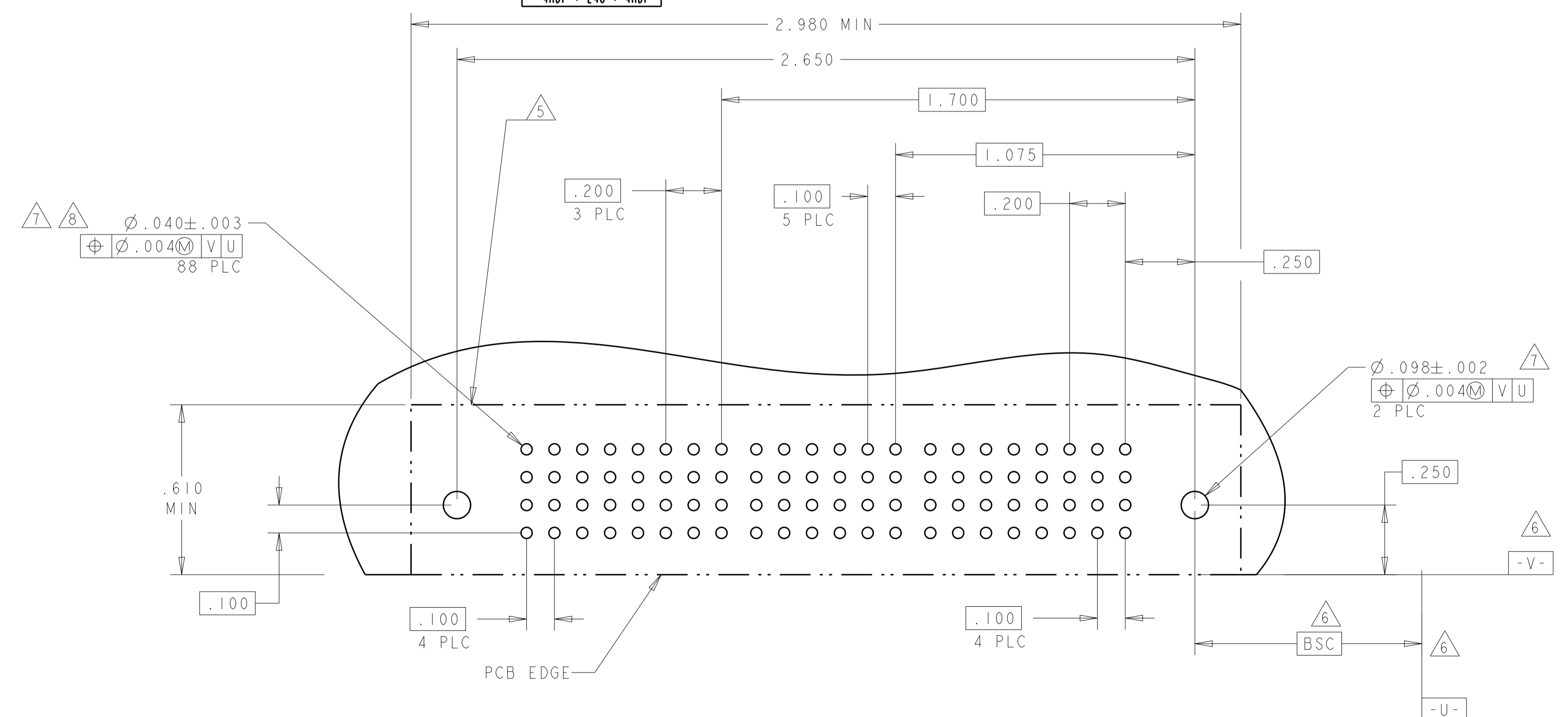
2P + 24S + 2P

| PART NUMBER | ROWS | POWER | | SIGNAL | | | | | POWER | | |
|-------------|------------------|-------|----|--------|---|---|---|---|-------|----|----|
| | | P4 | P3 | 6 | 5 | 4 | 3 | 2 | 1 | P2 | P1 |
| 4-6450160-5 | D C B A | RM | RM | H | H | H | H | H | H | RM | RM |
| | | HD | | G | G | G | G | G | G | | |
| | | | | F | F | F | F | F | F | | |
| | | | | E | E | E | E | E | E | | |

2P + 24S + 2P

| PART NUMBER | ROWS | POWER | | | | SIGNAL | | | | | POWER | | | | |
|-------------|------------------|-------|----|----|----|--------|---|---|---|---|-------|----|----|----|----|
| | | P8 | P7 | P6 | P5 | 6 | 5 | 4 | 3 | 2 | 1 | P4 | P3 | P2 | P1 |
| 2-6450160-6 | D C B A | RM | RM | RM | RM | H | H | H | H | H | H | RM | RM | RM | RM |
| | | HD | | | | G | G | G | G | G | G | | | | |
| | | | | | | F | F | F | F | F | F | | | | |
| | | | | | | E | E | E | E | E | E | | | | |

4HDP + 24S + 4HDP



2-6450160-5 AND 4-6450160-5 PCB LAYOUT

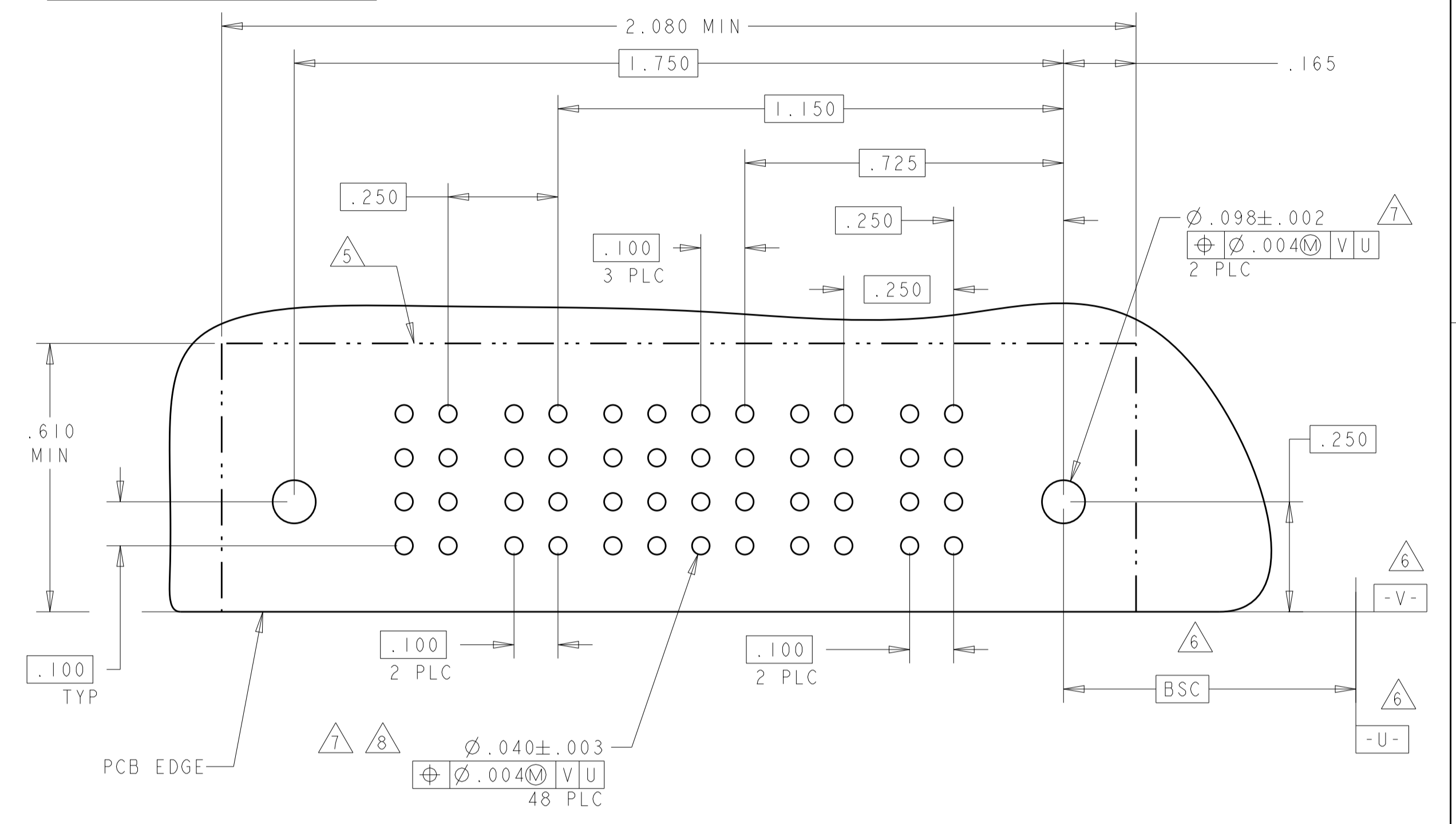
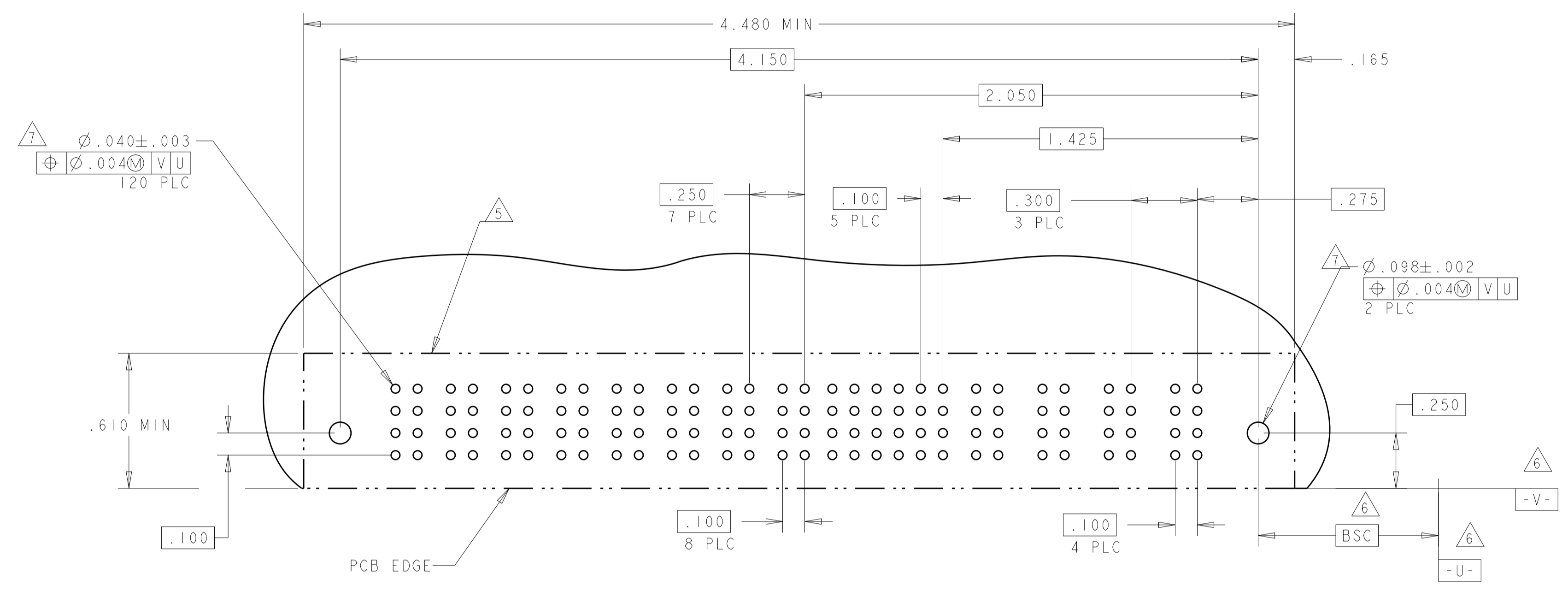
| | | | | |
|--|--|----------------------|---------|---|
| THIS DRAWING IS A CONTROLLED DOCUMENT. | | DWN R. GRZYBOWSKI | Z1FEB05 | TE Connectivity |
| DIMENSIONS: INCHES | | CHK M. PERCHERKE | Z1FEB05 | |
| TOLERANCES UNLESS OTHERWISE SPECIFIED: | | APVD M. PERCHERKE | | NAME RIGHT ANGLE RECEPTACLE ASSEMBLY WITH GUIDES MULTI-BEAM XL |
| 0 PLC ±.01 | | PRODUCT SPEC | | SIZE 108-1973 |
| 1 PLC ±.01 | | APPLICATION SPEC | | RESTRICTED TO |
| 2 PLC ±.005 | | WEIGHT | | A1100779 |
| 3 PLC ±.002 | | CUSTOMER DRAWING | | SCALE 1:1 SHEET 6 OF 15 REV E8 |
| 4 PLC ±.002 | | | | |
| ANGLES ±.002 | | | | |

| LOC | | DIST | | REVISIONS | | | | |
|-----|----|------|--|-------------|------|-----|------|--|
| GP | 00 | PLM | | DESCRIPTION | DATE | OWN | APVD | |
| | | | | SEE SHEET 1 | | | | |

| PART NUMBER | ROWS | POWER | | | | | | | | SIGNAL | | | | | | POWER | | | |
|-----------------|------------------|-------|-----|-----|----|----|----|----|----|--------|---|---|---|---|---|-------|----|----|----|
| | | P12 | P11 | P10 | P9 | P8 | P7 | P6 | P5 | 6 | 5 | 4 | 3 | 2 | 1 | P4 | P3 | P2 | P1 |
| 2-6450160-9 | D C B A | RM | RM | RM | RM | RM | RM | RM | RM | H | H | H | H | H | H | RM | RM | RM | RM |
| 4ACP + 24S + 8P | | | | | | | | | | G | G | G | G | G | G | | | | |
| | | | | | | | | | | F | F | F | F | F | F | | | | |
| | | | | | | | | | | E | E | E | E | E | E | | | | |

| PART NUMBER | ROWS | POWER | | | | SIGNAL | | | | POWER | | | |
|-------------|------------------|-------|----|----|----|--------|---|----|----|-------|----|----|----|
| | | P4 | P3 | 4 | 3 | 2 | 1 | P2 | P1 | | | | |
| 3-6450160-1 | D C B A | RM | RM | RM | RM | H | H | H | H | RM | RM | RM | RM |
| | | | | | | G | G | G | G | | | | |
| | | | | | | F | F | F | F | | | | |
| | | | | | | E | E | E | E | | | | |

2P + 16S + 2P

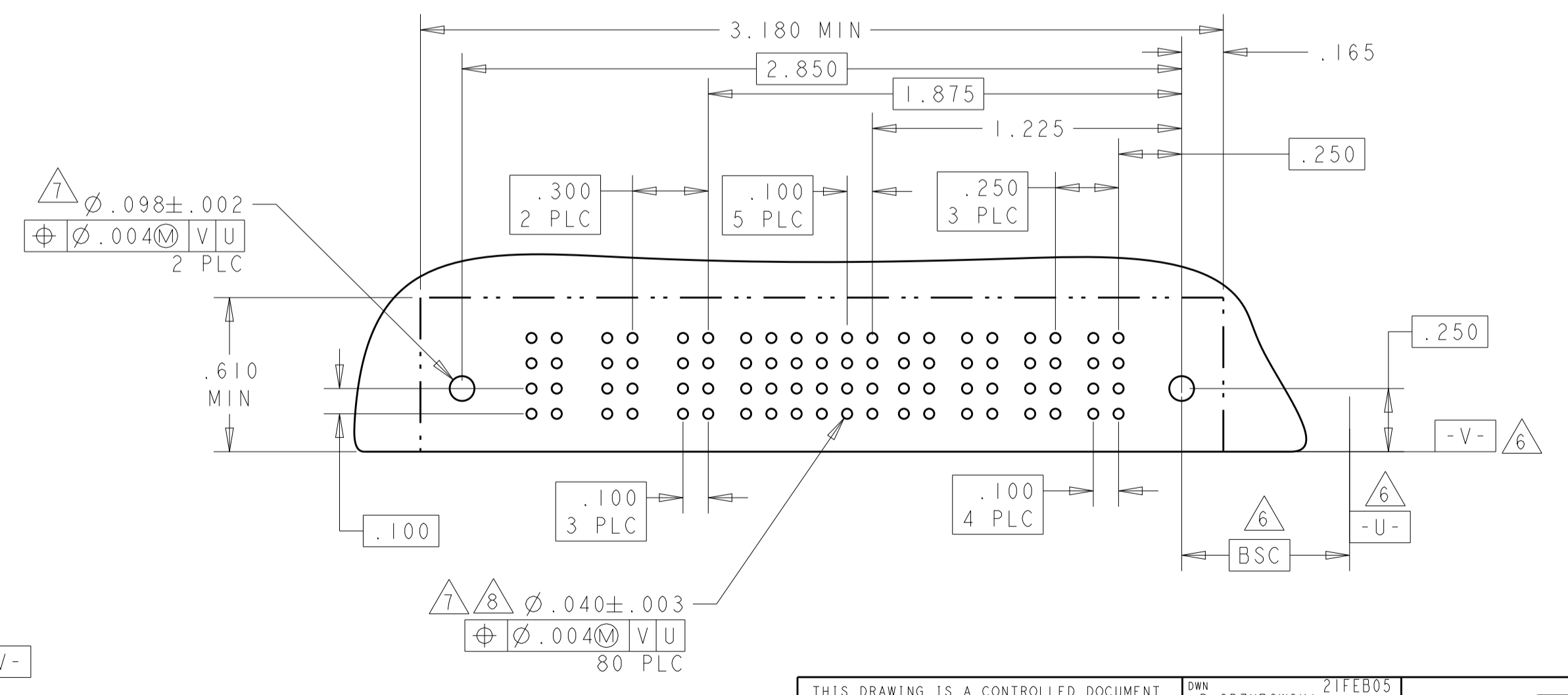
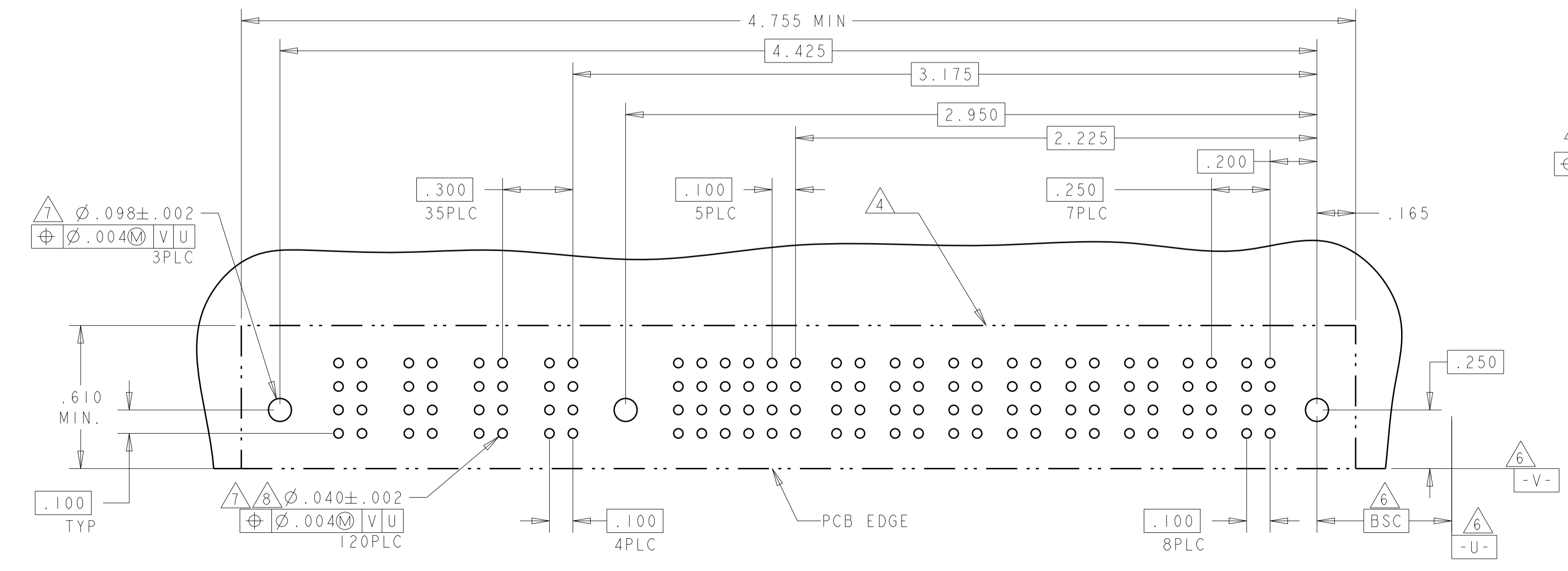


| PART NUMBER | ROWS | POWER | | | | SIGNAL | | | | | | POWER | | | | | | | |
|-------------|------------------|-------|-----|-----|----|--------|---|---|---|---|---|-------|----|----|----|----|----|----|----|
| | | P12 | P11 | P10 | P9 | 6 | 5 | 4 | 3 | 2 | 1 | P8 | P7 | P6 | P5 | P4 | P3 | P2 | P1 |
| 3-6450160-0 | D C B A | RM | RM | RM | RM | H | H | H | H | H | H | RM | RM | RM | RM | RM | RM | RM | RM |
| | | | | | | G | G | G | G | G | G | | | | | | | | |
| | | | | | | F | F | F | F | F | F | | | | | | | | |
| | | | | | | E | E | E | E | E | E | | | | | | | | |

8P + 24S + 1M + 4ACP

| PART NUMBER | HOUSING P/N | ROWS | POWER | | | SIGNAL | | | | | | POWER | | | |
|-------------|-------------|------------------|-------|----|----|--------|---|---|---|---|---|-------|----|----|----|
| | | | P7 | P6 | P5 | 6 | 5 | 4 | 3 | 2 | 1 | P4 | P3 | P2 | P1 |
| 3-6450160-2 | 3-1450190-2 | D C B A | RM | RM | RM | H | H | H | H | H | H | RM | RM | RM | RM |
| | | | | | | G | G | G | G | G | G | | | | |
| | | | | | | F | F | F | F | F | F | | | | |
| | | | | | | E | E | E | E | E | E | | | | |

4P + 24S + 3ACP

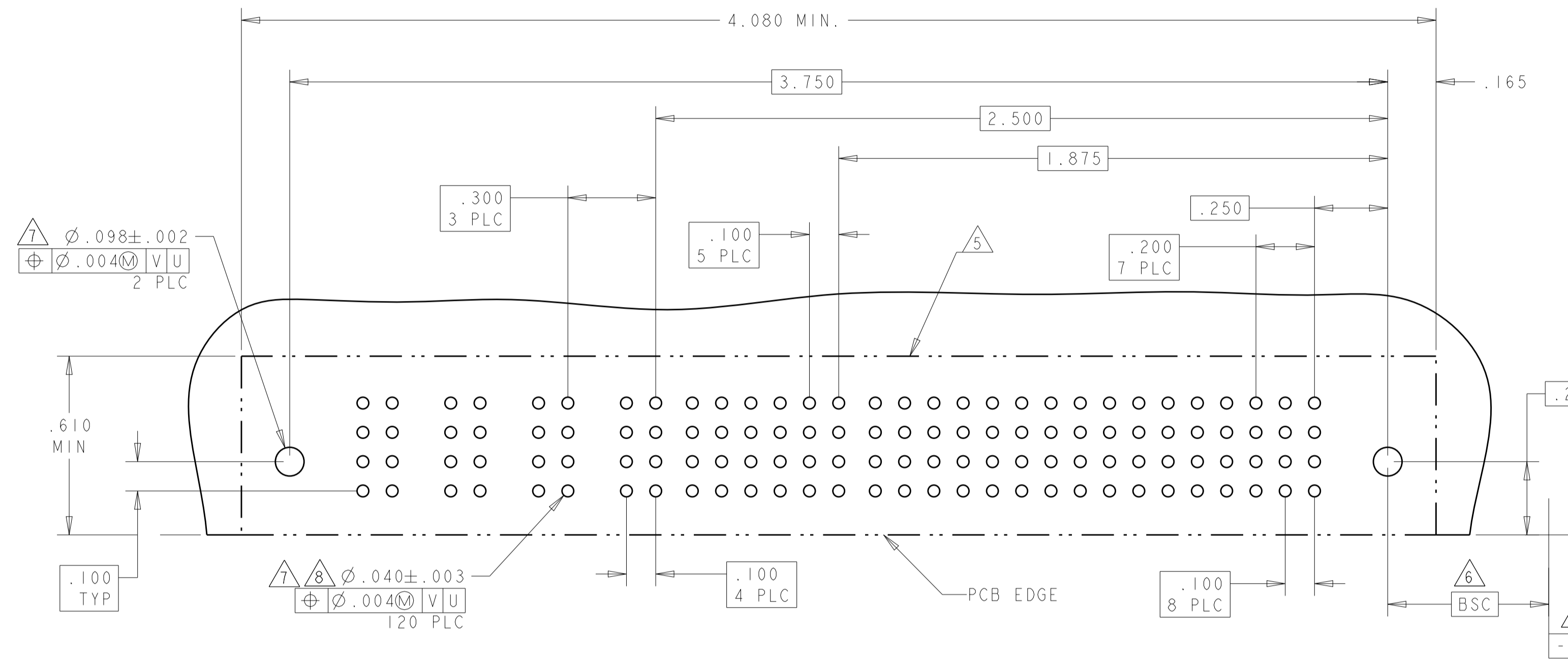


THIS DRAWING IS A CONTROLLED DOCUMENT.

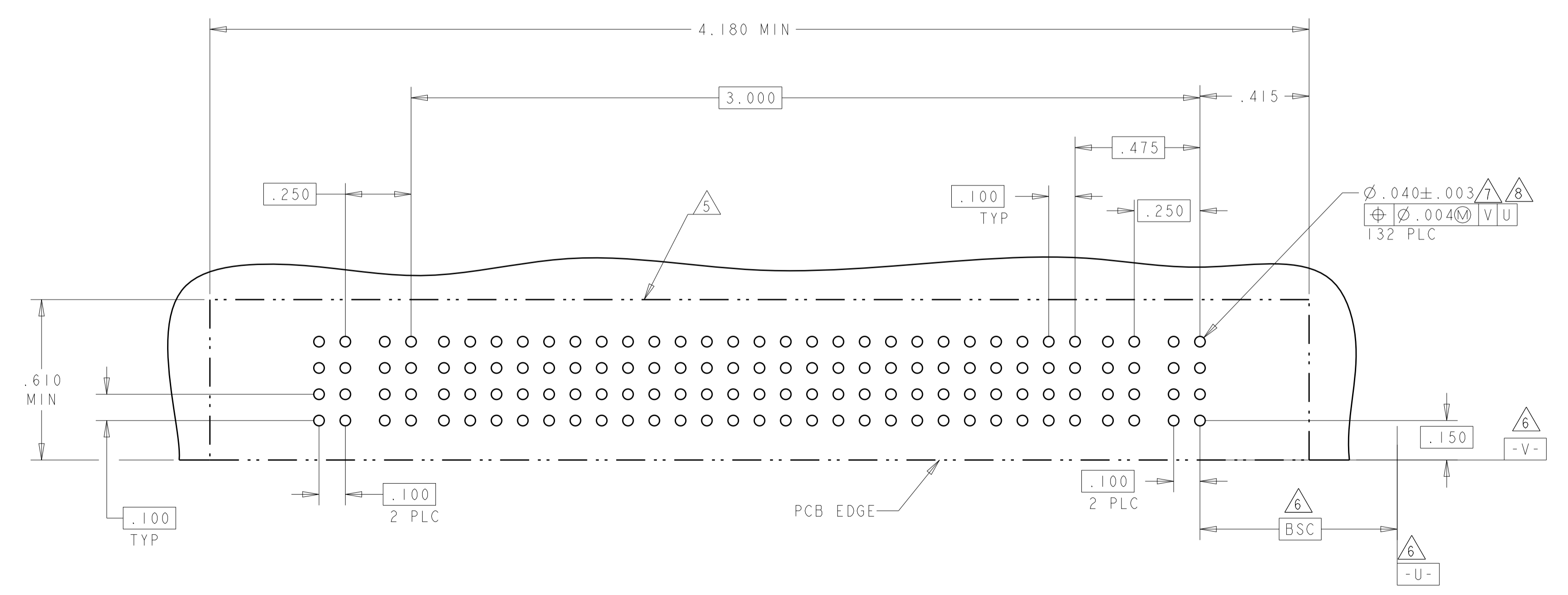
| | | | |
|-------------|--|--------------------|---|
| DIMENSIONS: | TOLERANCES UNLESS OTHERWISE SPECIFIED: | OWN: R. GRZYBOWSKI | 21FEB05 |
| INCHES | 0 PLC ±.01 | CHK: M. PERCHERKE | 21FEB05 |
| | 1 PLC ±.01 | APVD: M. PERCHERKE | |
| | 2 PLC ±.01 | PRODUCT SPEC | |
| | 3 PLC ±.01 | NAME | RIGHT ANGLE RECEPTACLE ASSEMBLY WITH GUIDES MULTI-BEAM XL |
| | 4 PLC ±.005 | APPLICATION SPEC | |
| | 5 PLC ±.002 | SIZE | 114-13038 |
| | ANGLES ±.002 | WEIGHT | A100779 |
| MATERIAL | FINISH | CUSTOMER DRAWING | SCALE 1:1 SHEET 7 OF 15 REV E8 |

| LOC | | DIST | | REVISONS | | | |
|-----|----|------|-----|-------------|------|-----|------|
| GP | 00 | P | LYR | DESCRIPTION | DATE | DMN | APVD |
| | | - | | SEE SHEET 1 | | | |

| PART NUMBER | ROWS | POWER | | | | SIGNAL | | | | | | | | POWER | | | | | | | |
|-----------------|------------------|-------|-----|-----|----|--------|---|---|---|---|---|----|----|-------|----|----|----|----|----|--|--|
| | | P12 | P11 | P10 | P9 | 6 | 5 | 4 | 3 | 2 | 1 | P8 | P7 | P6 | P5 | P4 | P3 | P2 | P1 | | |
| 3-6450160-3 | D C B A | RM | RM | RM | RM | H | H | H | H | H | H | RM | RM | RM | RM | RM | RM | RM | RM | | |
| | | G | G | G | G | G | G | G | G | G | G | RM | RM | RM | RM | RM | RM | RM | | | |
| | | F | F | F | F | F | F | F | F | F | F | RM | RM | RM | RM | RM | RM | RM | | | |
| | | E | E | E | E | E | E | E | E | E | E | RM | RM | RM | RM | RM | RM | RM | | | |
| 8P + 24S + 4ACP | | | | | | | | | | | | | | | | | | | | | |



| PART NUMBER | ROWS | POWER | | SIGNAL | | | | | | | | | | | | | | | | | | | | POWER | | | | | | | |
|----------------|------------------|-------|----|--------|----|----|----|----|----|----|----|----|----|----|----|----|----|----|----|---|---|---|---|-------|---|---|---|---|----|----|----|
| | | P4 | P3 | 25 | 24 | 23 | 22 | 21 | 20 | 19 | 18 | 17 | 16 | 15 | 14 | 13 | 12 | 11 | 10 | 9 | 8 | 7 | 6 | 5 | 4 | 3 | 2 | 1 | P2 | P1 | |
| 3-6450160-4 | D C B A | RM | RM | H | H | H | H | H | H | H | H | H | H | H | H | H | H | H | H | H | H | H | H | H | H | H | H | H | H | RM | RM |
| | | G | G | G | G | G | G | G | G | G | G | G | G | G | G | G | G | G | G | G | G | G | G | G | G | G | G | G | G | RM | RM |
| | | F | F | F | F | F | F | F | F | F | F | F | F | F | F | F | F | F | F | F | F | F | F | F | F | F | F | F | F | RM | RM |
| | | E | E | E | E | E | E | E | E | E | E | E | E | E | E | E | E | E | E | E | E | E | E | E | E | E | E | E | E | RM | RM |
| 2P + 100S + 2P | | | | | | | | | | | | | | | | | | | | | | | | | | | | | | | |



THIS DRAWING IS A CONTROLLED DOCUMENT. DMN: R. GRZYBOWSKI 21FEB05
 CHK: M. PERCHERKE 21FEB05
 APVD: M. PERCHERKE

STE TE Connectivity

NAME: RIGHT ANGLE RECEPTACLE ASSEMBLY WITH GUIDES MULTI-BEAM XL

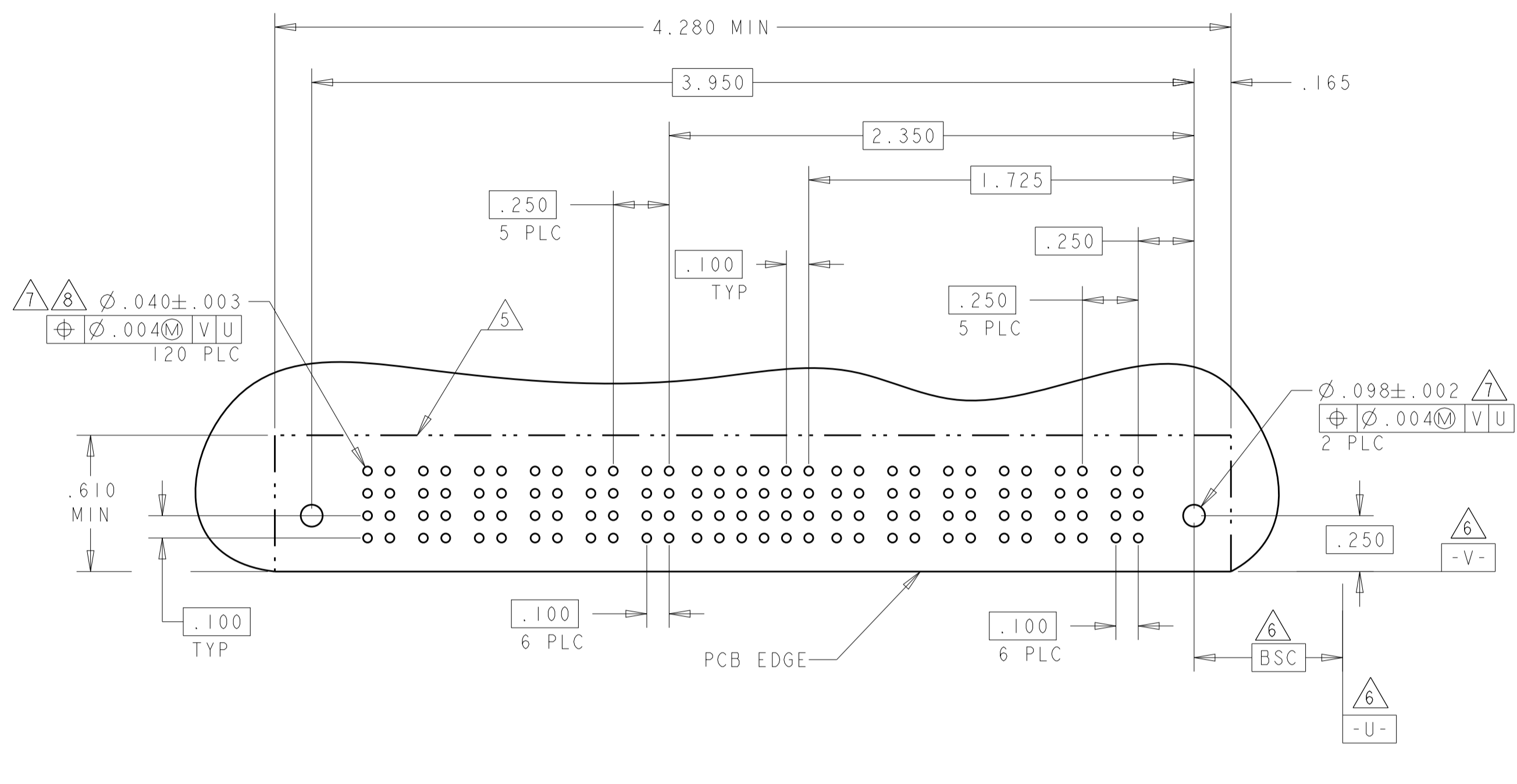
PRODUCT SPEC: 108-1973
 APPLICATION SPEC: 114-13038
 WEIGHT: -

SIZE: A100779 CAGE CODE: 6450160
 SCALE: 1:1 SHEET 8 OF 15 REV: E8

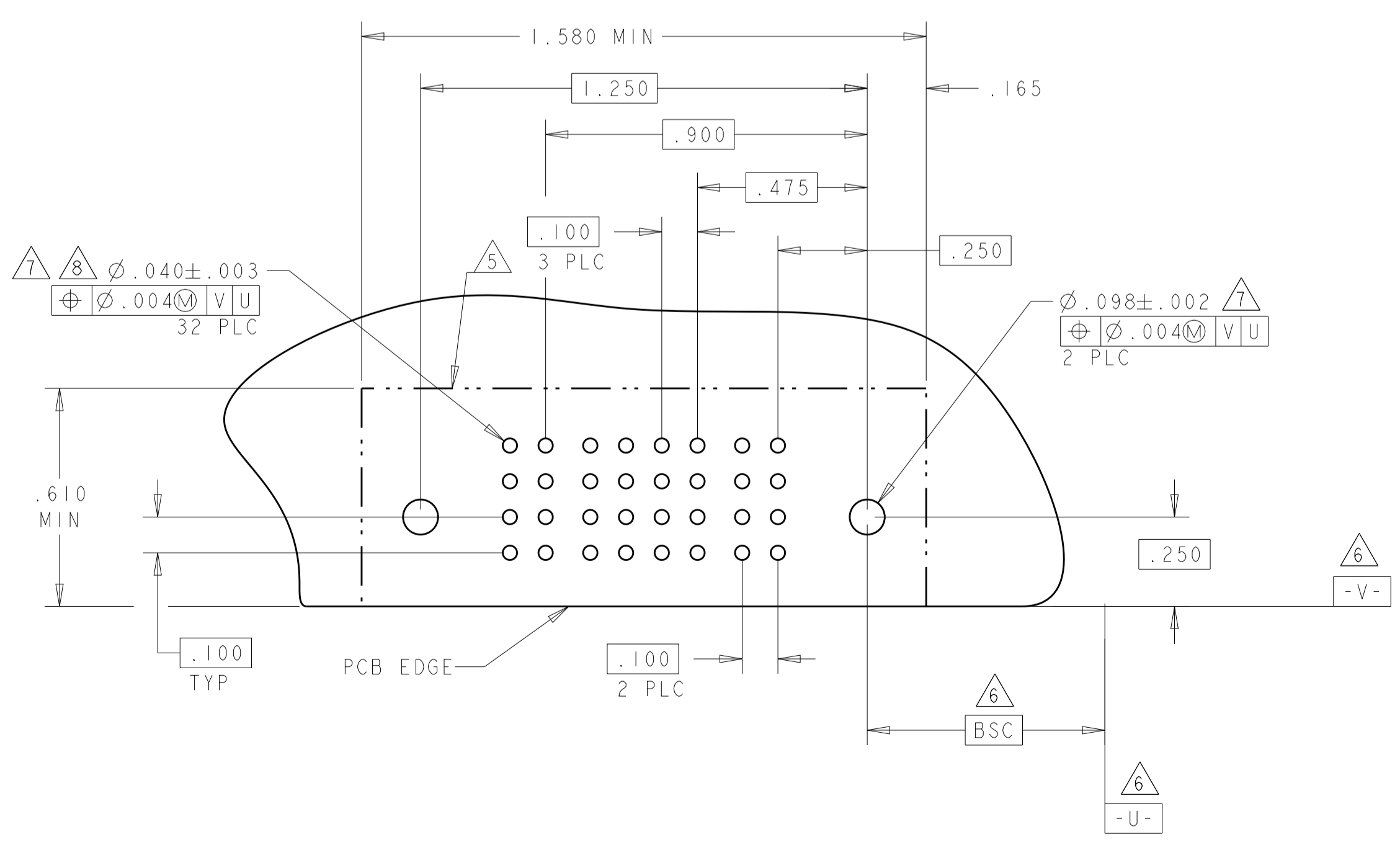
CUSTOMER DRAWING

| LOC | | DIST | | REVISIONS | | | |
|-----|----|------|-----|-------------|------|-----|------|
| GP | 00 | P | LTN | DESCRIPTION | DATE | OWN | APVD |
| | | | | SEE SHEET 1 | | | |

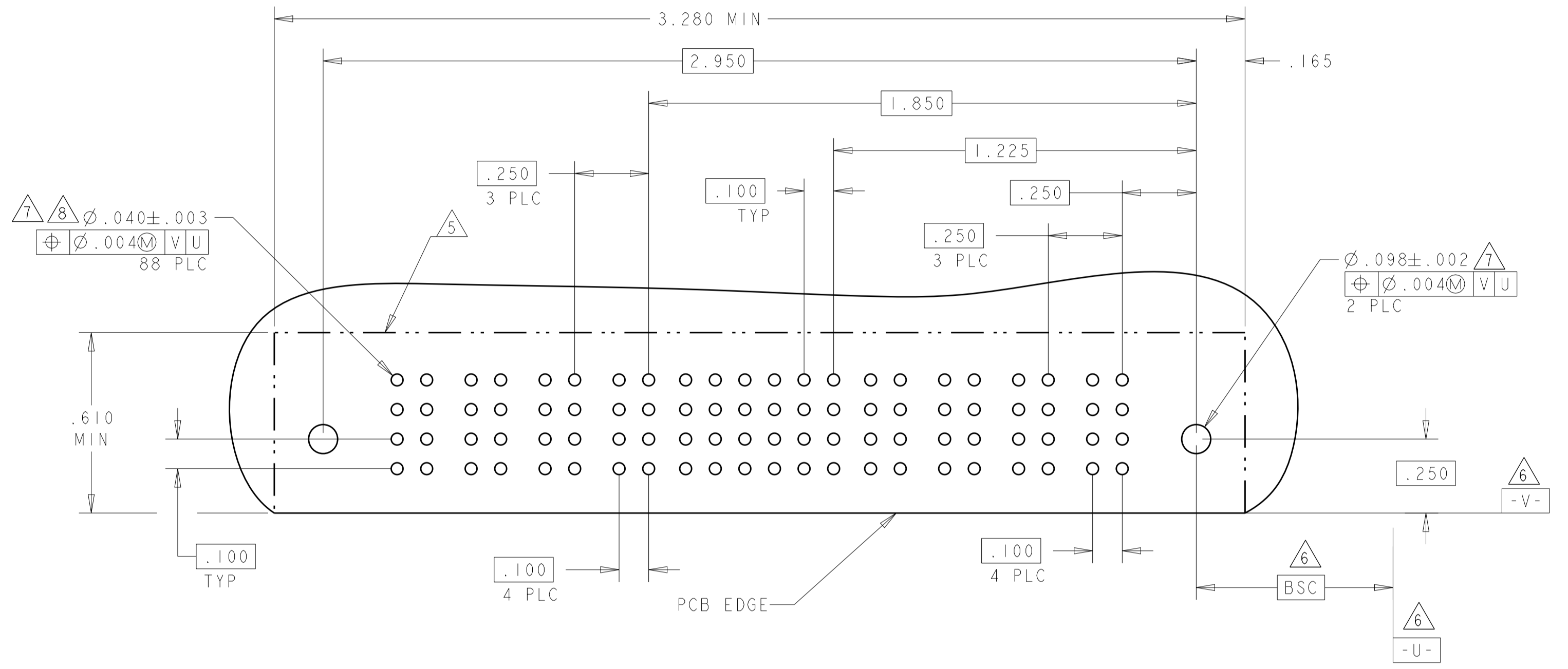
| PART NUMBER | ROWS | POWER | | | | | | SIGNAL | | | | | POWER | | | | | | | | | | | |
|---------------|------------------|-------|-----|-----|----|----|----|--------|---|---|---|---|-------|----|----|----|----|----|----|--|--|--|----|--|
| | | P12 | P11 | P10 | P9 | P8 | P7 | 6 | 5 | 4 | 3 | 2 | 1 | P6 | P5 | P4 | P3 | P2 | P1 | | | | | |
| 3-6450160-6 | D C B A | RM | RM | RM | RM | RM | RM | H | H | H | H | H | H | RM | RM | RM | RM | RM | RM | | | | | |
| | | HD | | | | | | | | | | | | | | | | | | | | | HD | |
| 6P + 24S + 6P | | | | | | | | | | | | | | | | | | | | | | | | |



| PART NUMBER | ROWS | POWER | | SIGNAL | | | | POWER | |
|---------------|------------------|-------|----|--------|---|---|---|-------|----|
| | | P2 | P1 | 4 | 3 | 2 | 1 | P1 | P2 |
| 1-6450160-4 | D C B A | RA | RA | H | H | H | H | RA | RA |
| | | HD | | | | | | HD | |
| IP + 16S + IP | | | | | | | | | |



| PART NUMBER | ROWS | POWER | | | | SIGNAL | | | | | POWER | | | | | | | |
|---------------|------------------|-------|----|----|----|--------|---|---|---|---|-------|----|----|----|----|--|----|--|
| | | P8 | P7 | P6 | P5 | 6 | 5 | 4 | 3 | 2 | 1 | P4 | P3 | P2 | P1 | | | |
| 3-6450160-7 | D C B A | RM | RM | RM | RM | H | H | H | H | H | H | RM | RM | RM | RM | | | |
| | | HD | | | | | | | | | | | | | | | HD | |
| 4P + 24S + 4P | | | | | | | | | | | | | | | | | | |

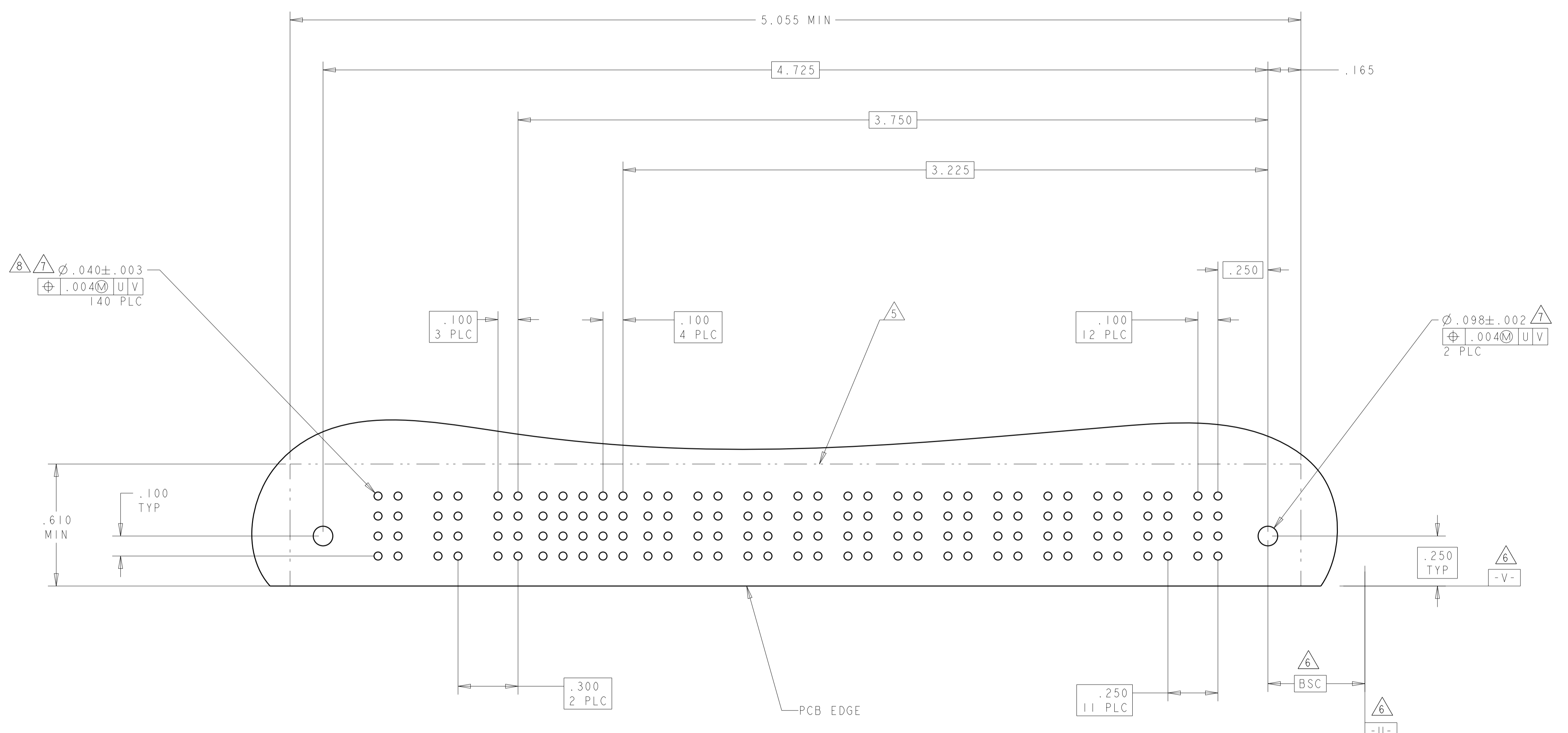


THIS DRAWING IS A CONTROLLED DOCUMENT.

| | | | |
|-----------------------|---|-----------------------------|---|
| DIMENSIONS: INCHES | 0 PLC ±. 1 PLC ±.01 2 PLC ±.01 3 PLC ±.005 4 PLC ±.002 ANGLES ±.2° | OWN: R. GRZYBOWSKI 21FEB05 | STE TE Connectivity RIGHT ANGLE RECEPTACLE ASSEMBLY WITH GUIDES MULTI-BEAM XL |
| | | CHK: M. PERCHERKE | |
| MATERIAL: FINISH: * | | APVD: M. PERCHERKE | PRODUCT SPEC: 108-1973 |
| | | APPLICATION SPEC: 114-13038 | RESTRICTED TO: - |
| | | WEIGHT: - | SIZE: A100779 |
| | | CUSTOMER DRAWING | SCALE: 1:1 SHEET 9 OF 15 REV: E8 |

| LOC | DIST | REVISIONS | | | | | |
|-----|------|-----------|-----|-------------|------|-----|------|
| GP | 00 | P | LTN | DESCRIPTION | DATE | DMN | APVD |
| | | - | | SEE SHEET 1 | | | |

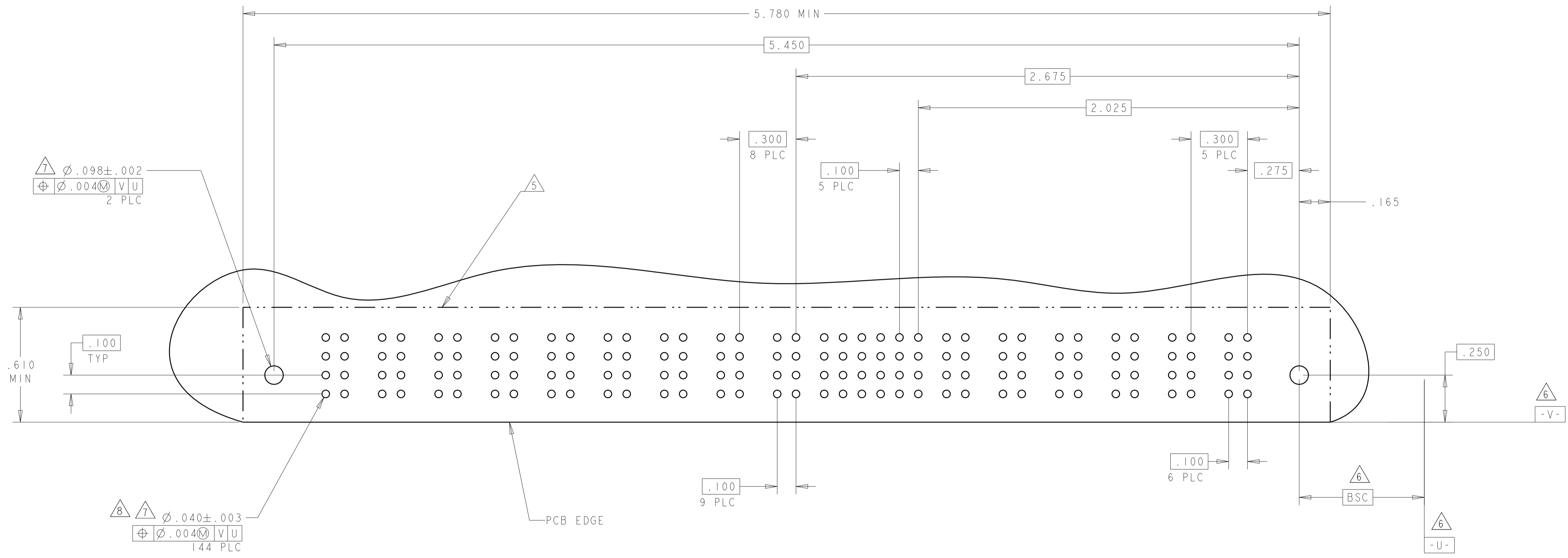
| PART NUMBER | ROWS | AC POWER | | | SIGNAL | | | | | POWER | | | | | | | | | | | | | |
|------------------|------------------|----------|-----|-----|--------|---|---|---|---|-------|-----|-----|----|----|----|----|----|----|----|----|----|----|----|
| | | P15 | P14 | P13 | 5 | 4 | 3 | 2 | 1 | P12 | P11 | P10 | P9 | P8 | P7 | P6 | P5 | P4 | P3 | P2 | P1 | | |
| 1-6450160-8 | D C B A | RA | RA | RA | H | H | H | H | H | RA | RA | RA | RA | RA | RA | RA | RA | RA | RA | RA | RA | RA | RA |
| | | | | | G | G | G | G | G | | | | | | | | | | | | | | |
| | | | | | F | F | F | F | F | | | | | | | | | | | | | | |
| | | | | | E | E | E | E | E | | | | | | | | | | | | | | |
| 12P + 20S + 3ACP | | | | | | | | | | | | | | | | | | | | | | | |



| | | | |
|---|--|------------------------------|---|
| THIS DRAWING IS A CONTROLLED DOCUMENT. | | DMN: R. GRZYBOWSKI / 21FEB05 | TE Connectivity |
| DIMENSIONS: INCHES | | CHK: M. PERCHERKE | |
| DIMENSIONS: INCHES TOLERANCES UNLESS OTHERWISE SPECIFIED: 0 PLC ±. 1 PLC ±.01 2 PLC ±.01 3 PLC ±.005 4 PLC ±.002 ANGLES ±.2° FINISH | | APVD: M. PERCHERKE | NAME: RIGHT ANGLE RECEPTACLE ASSEMBLY WITH GUIDES MULTI-BEAM XL |
| MATERIAL | | PRODUCT SPEC: 108-1973 | SIZE: A100779 |
| | | APPLICATION SPEC: 114-13038 | DRAWING NO: C=6450160 |
| | | WEIGHT | RESTRICTED TO |
| | | CUSTOMER DRAWING | SCALE: 1:1 SHEET 10 OF 15 REV: E8 |

| LOC | DIST | REVISIONS | | | |
|-----|------|-------------|------|-----|------|
| P | LTN | DESCRIPTION | DATE | DMN | APVD |
| - | - | SEE SHEET 1 | - | - | - |
| | | | | | |
| | | | | | |

| PART NUMBER | ROWS | POWER | | | | | | | | SIGNAL | | | | | POWER | | | | | HD | | |
|---------------|------------------|-------|-----|-----|-----|-----|-----|----|----|--------|----|----|----|----|-------|----|----|----|----|----|----|----|
| | | P15 | P14 | P13 | P12 | P11 | P10 | P9 | P8 | P7 | P6 | P5 | P4 | P3 | P2 | P1 | P6 | P5 | P4 | | P3 | P2 |
| 3-6450160-8 | D C B A | RM | RM | RM | RM | RM | RM | RM | RM | H | H | | H | H | RA | | RM | RM | RM | RM | HD | |
| | | | | | | | | | | G | G | | G | G | | | | | | | | |
| | | | | | | | | | | F | F | | F | F | | | | | | | | |
| | | | | | | | | | | E | E | | E | E | | | | | | | | |
| 6P + 24S + 9P | | | | | | | | | | | | | | | | | | | | | | HD |



THIS DRAWING IS A CONTROLLED DOCUMENT. DWN: R. GRZYBOWSKI 21FEB05
 CHK: M. PERCHERKE 21FEB05
 APVD: M. PERCHERKE

DIMENSIONS: INCHES. TOLERANCES UNLESS OTHERWISE SPECIFIED:
 0 PLC ±.
 1 PLC ±.01
 2 PLC ±.01
 3 PLC ±.005
 4 PLC ±.002
 ANGLES ±.2°
 FINISH

MATERIAL: CUSTOMER DRAWING

NAME: RIGHT ANGLE RECEPTACLE ASSEMBLY WITH GUIDES MULTI-BEAM XL
 PRODUCT SPEC: 108-1973
 APPLICATION SPEC: 114-13038
 WEIGHT: -

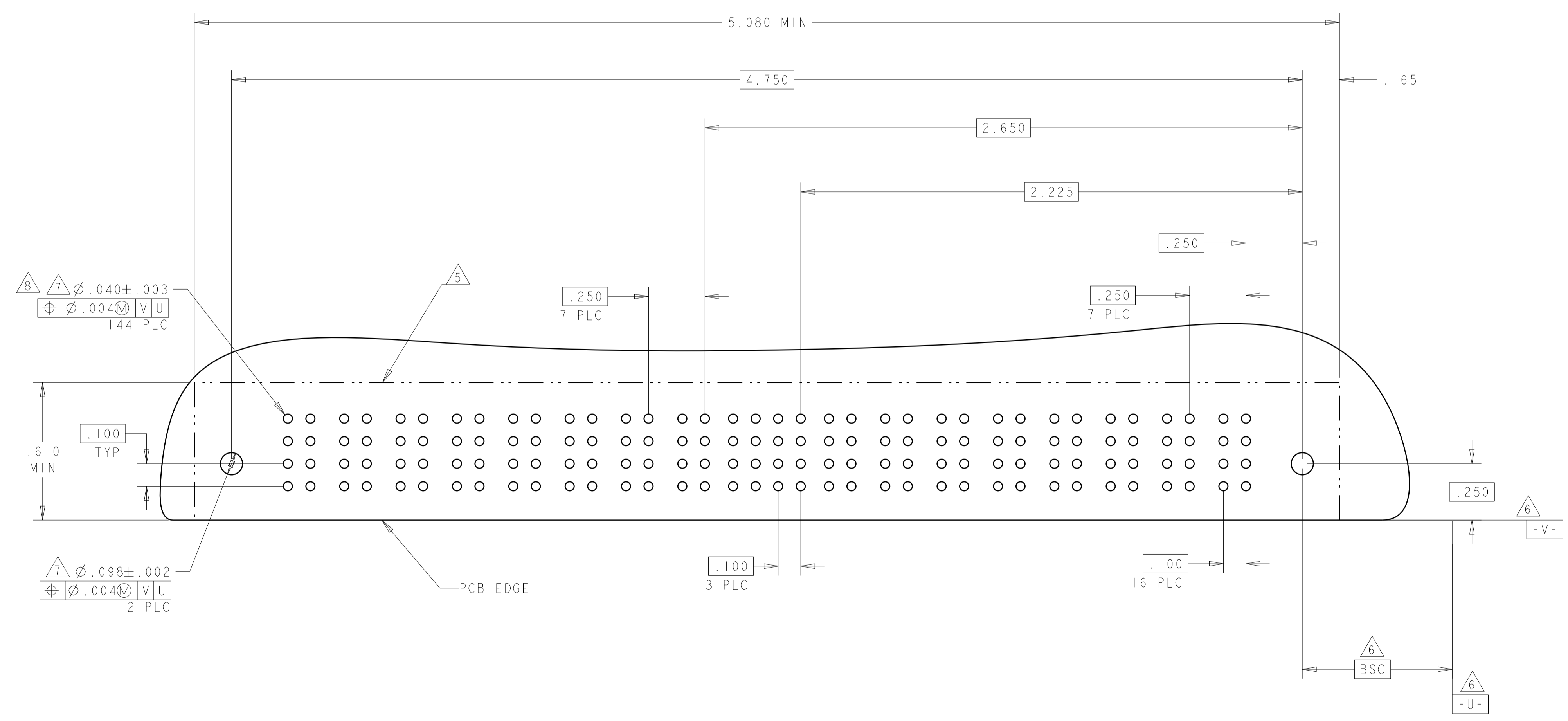
SIZE: A100779 C=6450160
 SCALE: 1:1 SHEET 11 OF 15 REV: E8

TE Connectivity

| LOC | DIST | REVISIONS | | | | | |
|-----|------|-----------|-----|-------------|------|-----|------|
| | | P | LTN | DESCRIPTION | DATE | DMN | APVD |
| GP | 00 | - | - | SEE SHEET 1 | - | - | - |
| | | | | | | | |
| | | | | | | | |

| PART NUMBER | ROWS | POWER | | | | | | | SIGNAL | | | | POWER | | | | | | | HD | | | |
|---------------|------|-------|-----|-----|-----|-----|-----|-----|--------|---|---|---|-------|----|----|----|----|----|----|----|----|----|--|
| | | P16 | P15 | P14 | P13 | P12 | P11 | P10 | P9 | 4 | 3 | 2 | 1 | P8 | P7 | P6 | P5 | P4 | P3 | | P2 | P1 | |
| 3-6450160-9 | D | | | | | | | | H | H | H | H | | | | | | | | | | | |
| | C | RM | RM | RM | RM | RM | RM | RM | G | G | G | G | RM | RM | RM | RM | RM | RM | RM | RM | RM | | |
| | B | | | | | | | | F | F | F | F | | | | | | | | | | | |
| | A | HD | | | | | | | E | E | E | E | | | | | | | | | | HD | |
| 8P + 16S + 8P | | | | | | | | | | | | | | | | | | | | | | | |

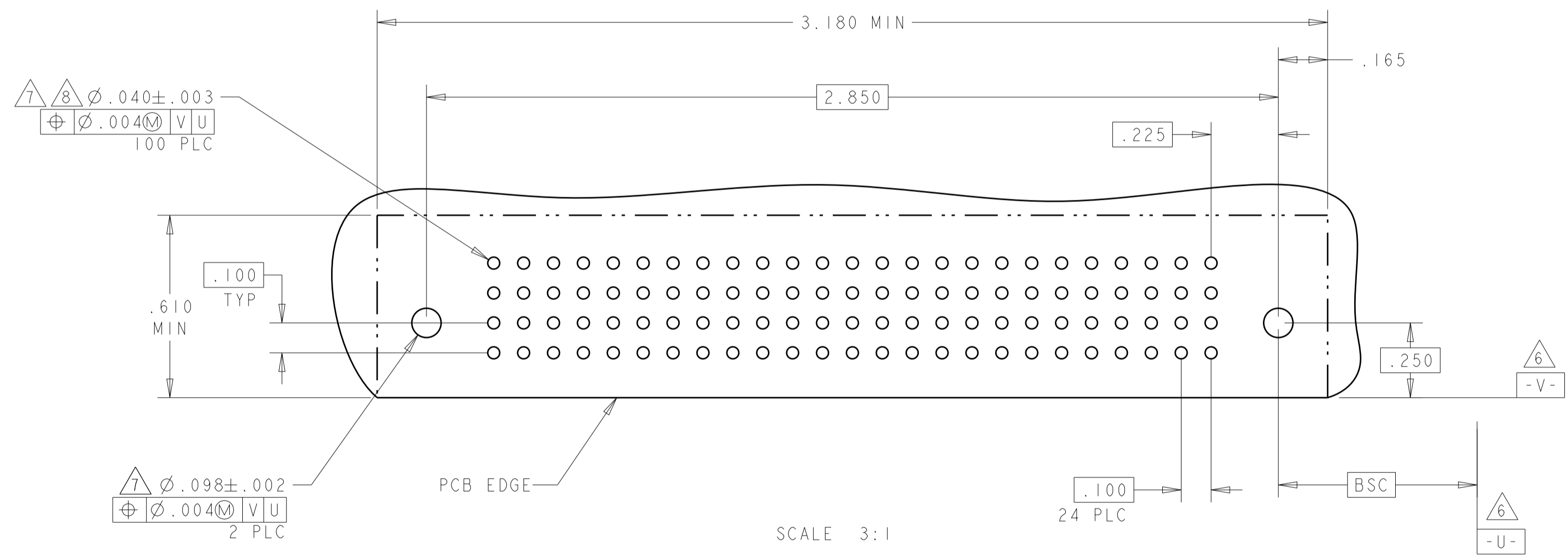
(D5)



| | | | |
|---|--|-----------------------------|---|
| THIS DRAWING IS A CONTROLLED DOCUMENT. | | DMN: R.GRZYBOWSKI 21FEB05 | TE Connectivity |
| DIMENSIONS: INCHES | | CHK: M.PERCHEKKE | |
| TOLERANCES UNLESS OTHERWISE SPECIFIED: 0 PLC ±. 1 PLC ±.01 2 PLC ±.01 3 PLC ±.005 4 PLC ±.002 ANGLES ±.7° FINISH | | APVD: M.PERCHEKKE | NAME: RIGHT ANGLE RECEPTACLE ASSEMBLY WITH GUIDES MULTI-BEAM XL |
| MATERIAL | | PRODUCT SPEC: 108-1973 | SIZE: A100779 |
| | | APPLICATION SPEC: 114-13038 | CAGE CODE: C=6450160 |
| | | WEIGHT: - | RESTRICTED TO: - |
| | | CUSTOMER DRAWING | SCALE: 1:1 SHEET 12 OF 15 REV: E8 |

| LOC | DIST | REVISIONS | | | |
|-----|------|-------------|------|-----|------|
| P | LTN | DESCRIPTION | DATE | DWN | APVD |
| - | - | SEE SHEET 1 | - | - | - |
| | | | | | |
| | | | | | |

| PART NUMBER | ROWS | SIGNAL | | | | | | | | | | | | | | | | | | | | | | | |
|-------------|------|--------|----|----|----|----|----|----|----|----|----|----|----|----|----|----|----|---|---|---|---|---|---|---|----|
| | | 25 | 24 | 23 | 22 | 21 | 20 | 19 | 18 | 17 | 16 | 15 | 14 | 13 | 12 | 11 | 10 | 9 | 8 | 7 | 6 | 5 | 4 | 3 | 2 |
| 4-6450160-4 | D | H | H | H | H | H | H | H | H | H | H | H | H | H | H | H | H | H | H | H | H | H | H | H | H |
| | C | G | G | G | G | G | G | G | G | G | G | G | G | G | G | G | G | G | G | G | G | G | G | G | G |
| | B | F | F | F | F | F | F | F | F | F | F | F | F | F | F | F | F | F | F | F | F | F | F | F | F |
| | A | E | E | E | E | E | E | E | E | E | E | E | E | E | E | E | E | E | E | E | E | E | E | E | E |
| 100S | | HD | | | | | | | | | | | | | | | | | | | | | | | HD |



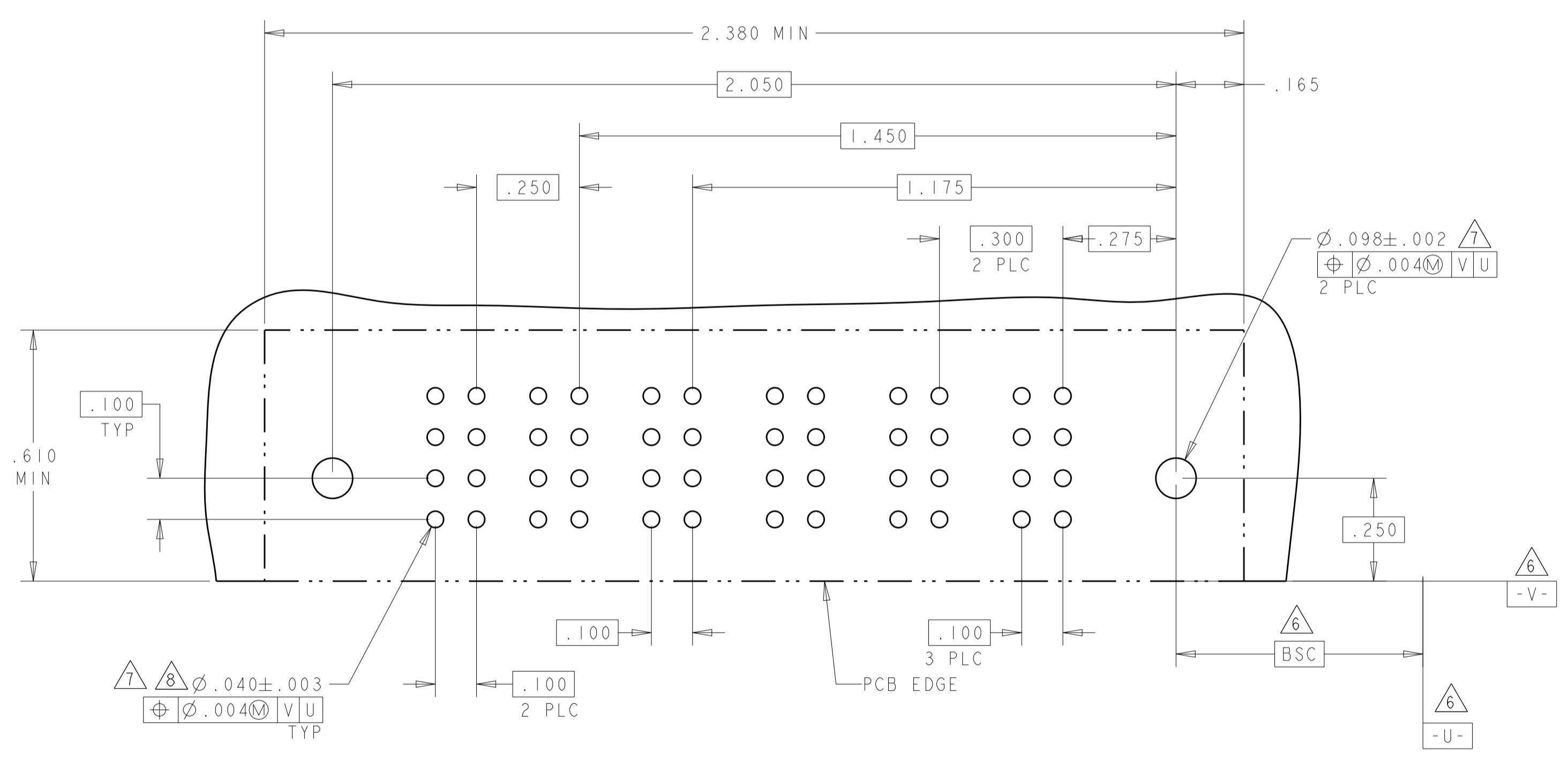
SCALE 3:1

| | | | | |
|---|--|---|--------------------------|--|
| THIS DRAWING IS A CONTROLLED DOCUMENT. | | DWN R. GRZYBOWSKI CHK M. PERCHERKE | 21FEB05 21FEB05 | TE Connectivity NAME RIGHT ANGLE RECEPTACLE ASSEMBLY WITH GUIDES MULTI-BEAM XL |
| DIMENSIONS: INCHES | TOLERANCES UNLESS OTHERWISE SPECIFIED: | APVD M. PERCHERKE | PRODUCT SPEC 108-1973 | |
| 0 PLC ±. 1 PLC ±. 2 PLC ±.01 3 PLC ±.005 4 PLC ±.002 ANGLES ±.2° | APPLICATION SPEC 114-13038 WEIGHT - | SIZE A100779 | CAGE CODE C=6450160 | RESTRICTED TO - |
| MATERIAL | FINISH | CUSTOMER DRAWING | | SCALE 1:1 SHEET 14 OF 15 REV E8 |

| LOC | DIST | REVISIONS | | | |
|-----|------|-------------|------|-----|------|
| P | LTN | DESCRIPTION | DATE | DMN | APVD |
| - | - | SEE SHEET 1 | - | - | - |
| | | | | | |
| | | | | | |

E6

| PART NUMBER | ROWS | POWER | | SIGNAL | | POWER | | |
|----------------|------|-------|----|--------|---|-------|----|----|
| | | P5 | P4 | 2 | 1 | P3 | P2 | P1 |
| 2-6450160-7 | D | RM | RM | H | H | RM | RM | RM |
| | C | | | G | G | | | |
| | B | | | F | F | | | |
| | A | | | E | E | | | |
| 3ACP + 8S + 2P | | HD | | | | HD | | |



| | | | | | |
|--|--|---|-----------------------------|----------------|---|
| THIS DRAWING IS A CONTROLLED DOCUMENT. | | DMN: R.GRZYBOWSKI 21FEB05 CHK: M.PERCHEKKE 21FEB05 | | | |
| DIMENSIONS: INCHES | | APVD: M.PERCHEKKE | | | NAME: RIGHT ANGLE RECEPTACLE ASSEMBLY WITH GUIDES MULTI-BEAM XL |
| | | TOLERANCES UNLESS OTHERWISE SPECIFIED: | PRODUCT SPEC: 108-1973 | SIZE: A100779 | CAGE CODE: C=6450160 |
| MATERIAL: | | FINISH: | APPLICATION SPEC: 114-13038 | RESTRICTED TO: | |
| | | | WEIGHT: | SCALE: 1:1 | SHEET 15 OF 15 REV: E8 |
| | | | CUSTOMER DRAWING | | |