



Chipsmall Limited consists of a professional team with an average of over 10 year of expertise in the distribution of electronic components. Based in Hongkong, we have already established firm and mutual-benefit business relationships with customers from,Europe,America and south Asia,supplying obsolete and hard-to-find components to meet their specific needs.

With the principle of "Quality Parts,Customers Priority,Honest Operation,and Considerate Service",our business mainly focus on the distribution of electronic components. Line cards we deal with include Microchip,ALPS,ROHM,Xilinx,Pulse,ON,Everlight and Freescale. Main products comprise IC,Modules,Potentiometer,IC Socket,Relay,Connector.Our parts cover such applications as commercial,industrial, and automotives areas.

We are looking forward to setting up business relationship with you and hope to provide you with the best service and solution. Let us make a better world for our industry!



Contact us

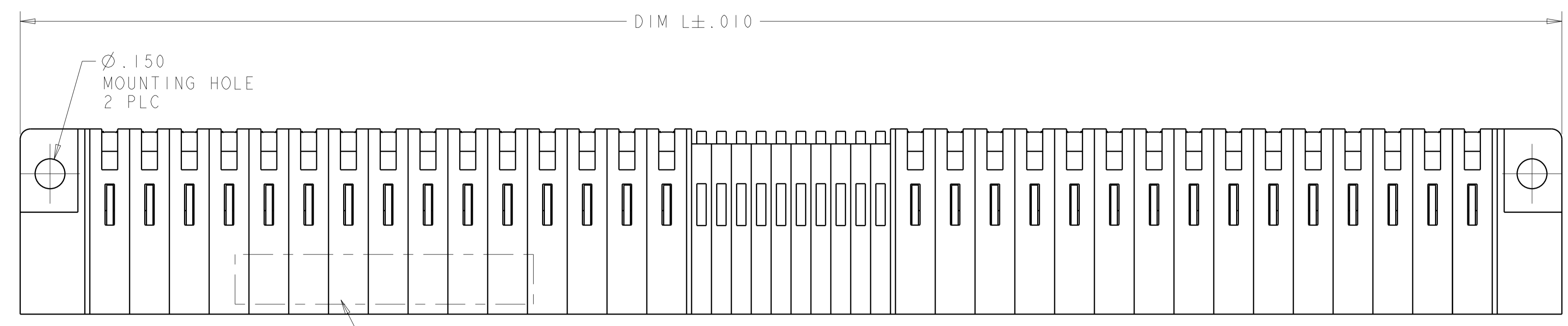
Tel: +86-755-8981 8866 Fax: +86-755-8427 6832

Email & Skype: info@chipsmall.com Web: www.chipsmall.com

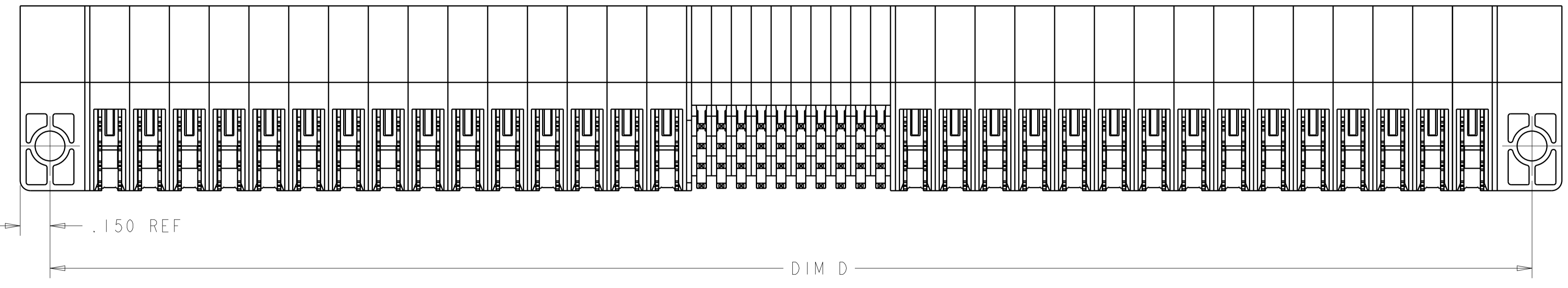
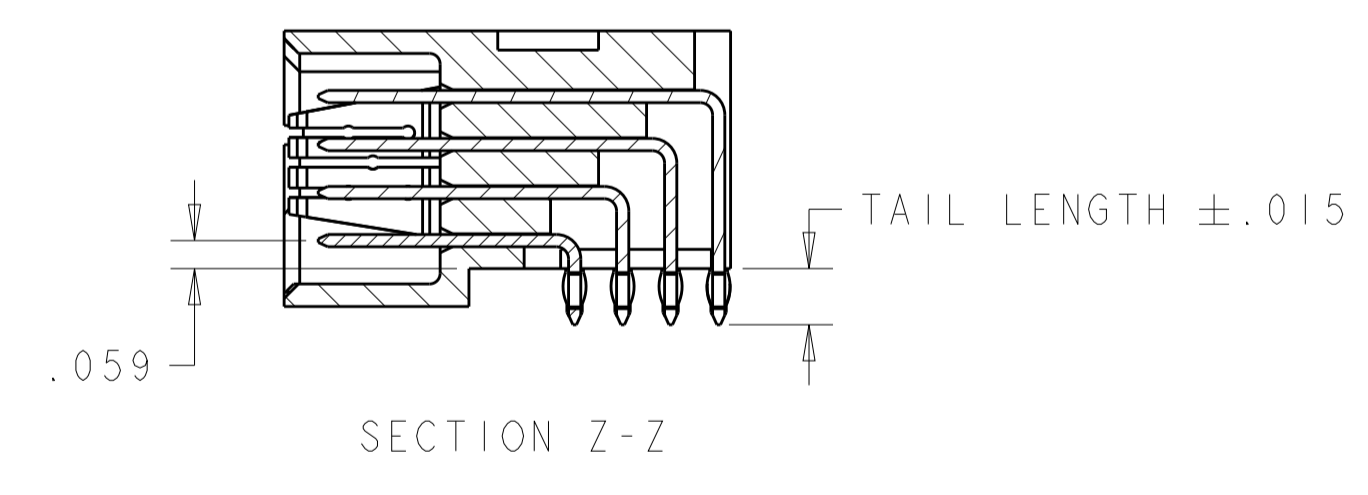
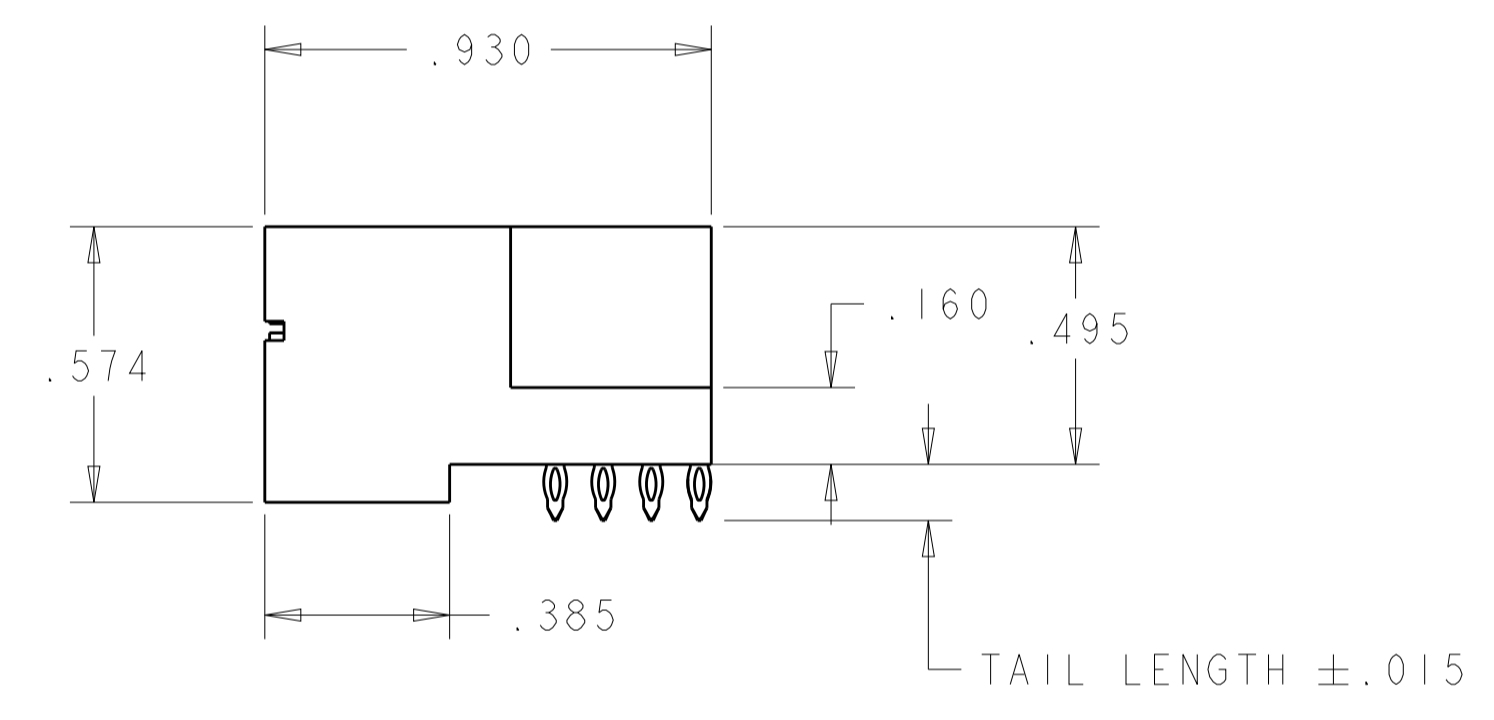
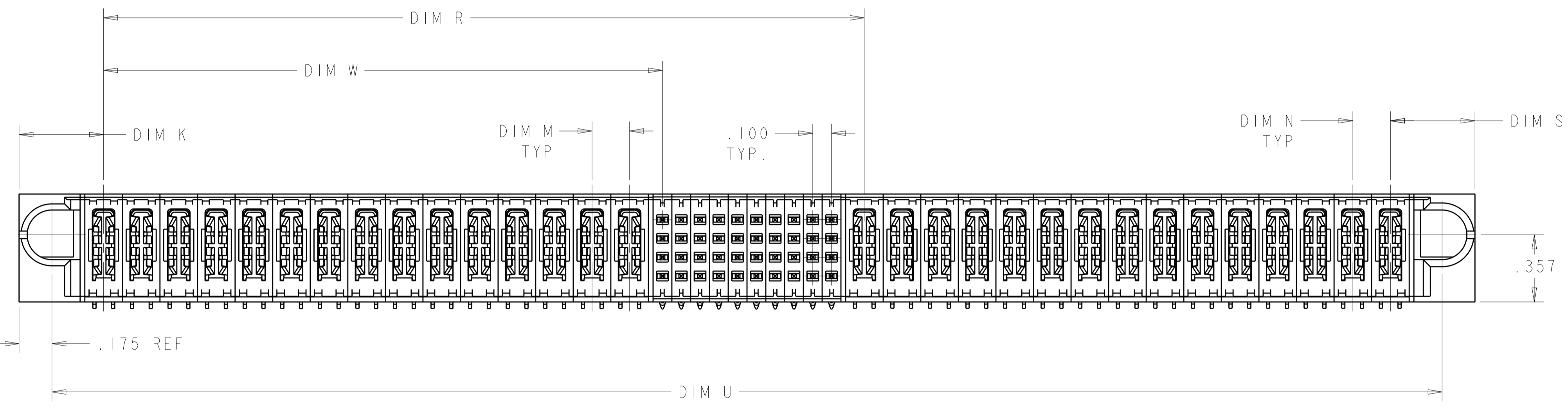
Address: A1208, Overseas Decoration Building, #122 Zhenhua RD., Futian, Shenzhen, China



LOC		DIST		REVISIONS			
ES		00		REV	DATE	BY	APPV
E3				ADDED THE DASH NUMBER -15	10AUG2012	ML	SZ
E4				REVISED	13DEC2012	CZ	SZ
E6				ADD NEW DASH NO.	20JAN2014	AL	SZ



- △ "AMP", PART NUMBER, AND DATECODE TO BE MARKED IN AREA SHOWN. PARTS UNDER 2.00 LONG MAY BE MARKED ON BOTH SIDES.
- △ MATERIAL: HOUSING - GLASS FILLED HIGH TEMP THERMO PLASTIC, UL94 V-0
 POWER CONTACT - HIGH CONDUCTIVITY COPPER ALLOY
 SIGNAL CONTACT - HIGH CONDUCTIVITY COPPER ALLOY
- △ CONTACT PLATING: NOBEL METAL PLATED ON CONTACT FUNCTIONAL AREA OF POWER OR SIGNAL CONTACTS,
- △ MECHANICAL CONNECTOR KEEP OUT ZONE.
- △ DATUM AND BASIC DIMENSIONS ESTABLISHED BY CUSTOMER.
- △ PCB - HOLE DIAMETERS ARE FINISHED HOLE SIZE.
- △ PCB - .0453±.0010 DRILLED HOLES PLATED WITH .0003 MIN Sn OVER .001 TO .003 Cu PLATING TO ACHIEVE A .040 DIA HOLE.
- △ NOT RELEASED FOR PRODUCTION.




THIS DRAWING IS A CONTROLLED DOCUMENT.		DWN: T. ZHANG 17MAY2006	TE Connectivity
DIMENSIONS: INCHES		CHK: G. ZHANG 17MAY2006	
TOLERANCES UNLESS OTHERWISE SPECIFIED:		APVD: S. ZHAO 17MAY2006	NAME: RIGHT ANGLE HEADER ASSEMBLY W/ GUIDE, PRESS FIT MULTI-BEAM XL
0 PLC ±.01	1 PLC ±.01	PRODUCT SPEC: 108-1973	SIZE: A100779
2 PLC ±.005	3 PLC ±.005	APPLICATION SPEC: 114-13038	CAGE CODE: C=6450520
4 PLC ±.0020	ANGLES ±.2°	WEIGHT: -	RESTRICTED TO: -
MATERIAL: 2	FINISH: 3	CUSTOMER DRAWING	SCALE: 4:1 SHEET 1 OF 7 REV: E6

THIS DRAWING IS UNPUBLISHED. RELEASED FOR PUBLICATION 20
 © COPYRIGHT 20 TE CONNECTIVITY ALL RIGHTS RESERVED.

LOC	DIST	REVISIONS			
		REV	DATE	BY	APPV
ES	00	-	SEE SHEET 1	-	-

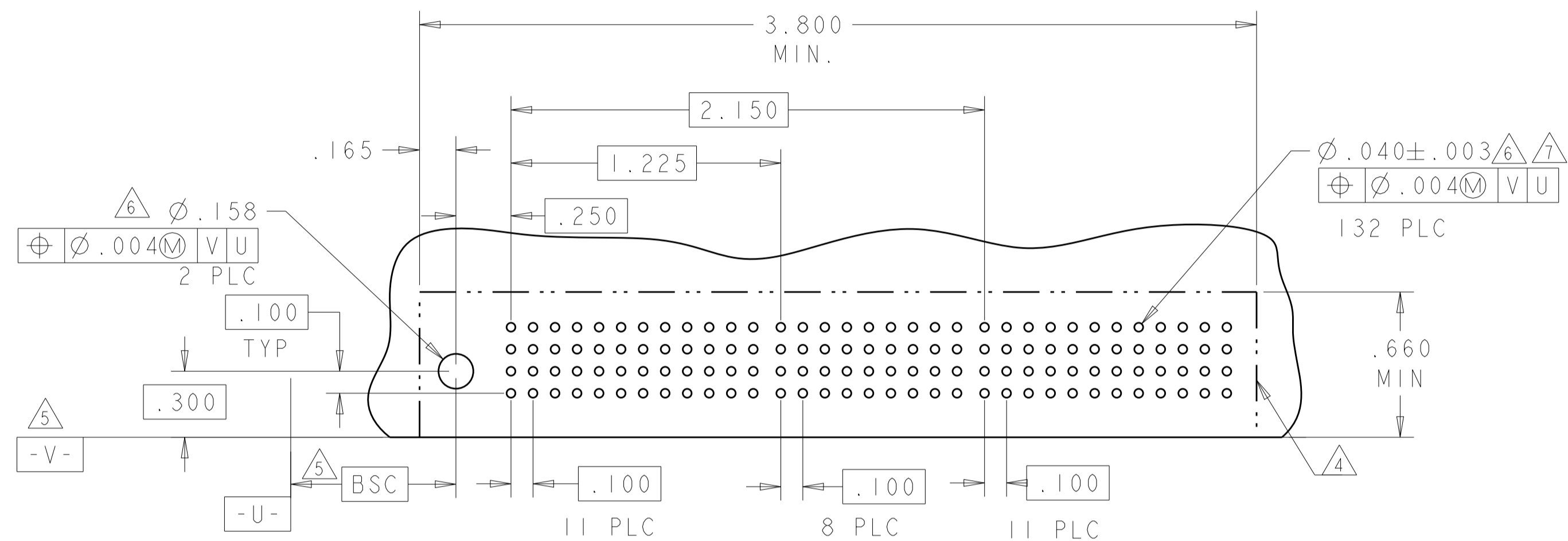
E6

.300	.250	3.300	.450	.450	3.25	.925	1.200	3.6	4P+8S+6P	1-6450520-8
.300	.250	3.200	.450	.450	3.15	.925	1.400	3.5	4P+16S+5P	1-6450520-7
.250	-	2.950	.450	.450	2.900	.925	1.600	3.250	4P+24S+4P	1-6450520-6
-	.300	1.700	-	.475	1.650	.850	-	2.000	3ACP+16S	1-6450520-5
-	-	1.575	-	.400	1.525	-	-	1.875	48S	1-6450520-4
-	-	1.975	-	.400	1.925	-	-	2.275	64S	1-6450520-3
.250	.250	5.950	.450	.450	5.900	2.425	3.100	6.250	10P+24S+10P	1-6450520-2
-	-	1.350	.450	.450	1.300	.225	0.750	1.650	1P+16S+1P	1-6450520-1
.250	.250	2.150	.450	.450	2.100	.725	1.050	2.450	3P+8S+3P	6450520-9
-	-	1.150	.450	.450	1.100	.225	.550	1.450	1P+8S+1P	6450520-8
.200	.200	-	-	.450	-	1.175	2.150	3.970	6HDP+36S+7HDP	6450520-7
.200	.200	-	-	.450	-	1.175	2.150	3.770	6P+36S+6P	6450520-6
.200	.200	-	-	.450	-	2.975	4.050	7.470	15P+40S+15P	6450520-5
.200	.200	-	.450	-	-	2.975	4.050	7.470	15P+40S+15P	6450520-4
N	M	D	S	K	U	W	R	L	DESCRIPTION	PART NUMBER

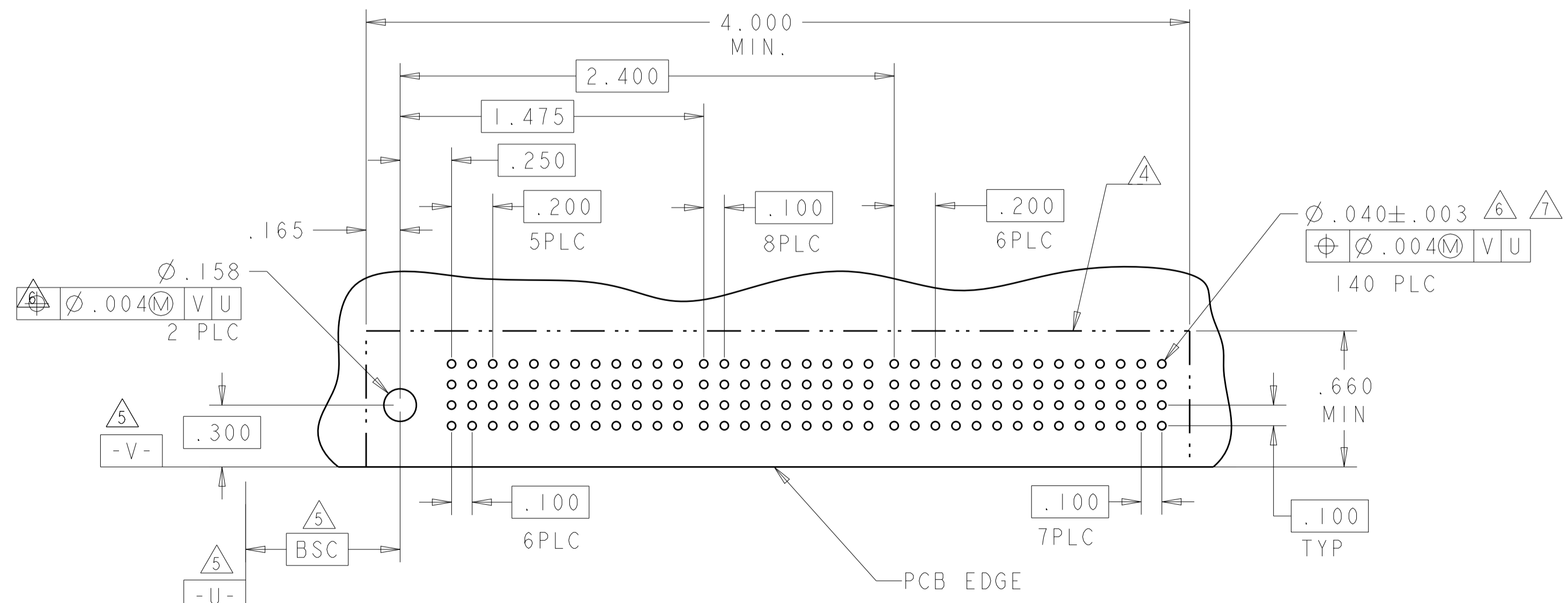
THIS DRAWING IS A CONTROLLED DOCUMENT.		DWN T. ZHANG 17MAY2006	 TE Connectivity NAME RIGHT ANGLE HEADER ASSEMBLY W/ GUIDE, PRESS FIT MULTI-BEAM XL
DIMENSIONS: INCHES		CHK G. ZHANG 17MAY2006	
TOLERANCES UNLESS OTHERWISE SPECIFIED:		APVD S. ZHAO 17MAY2006	
0 PLC ±. 1 PLC ±.01 2 PLC ±.01 3 PLC ±.005 4 PLC ±.0020 ANGLES ±.020		PRODUCT SPEC 108-1973 APPLICATION SPEC 114-13038	
MATERIAL	FINISH	WEIGHT	RESTRICTED TO
CUSTOMER DRAWING		SCALE 4:1	SHEET 2 OF 7

LOC	DIST	REVISIONS			
ES	00	REV	DATE	BY	APPD
		1	SEE SHEET 1		

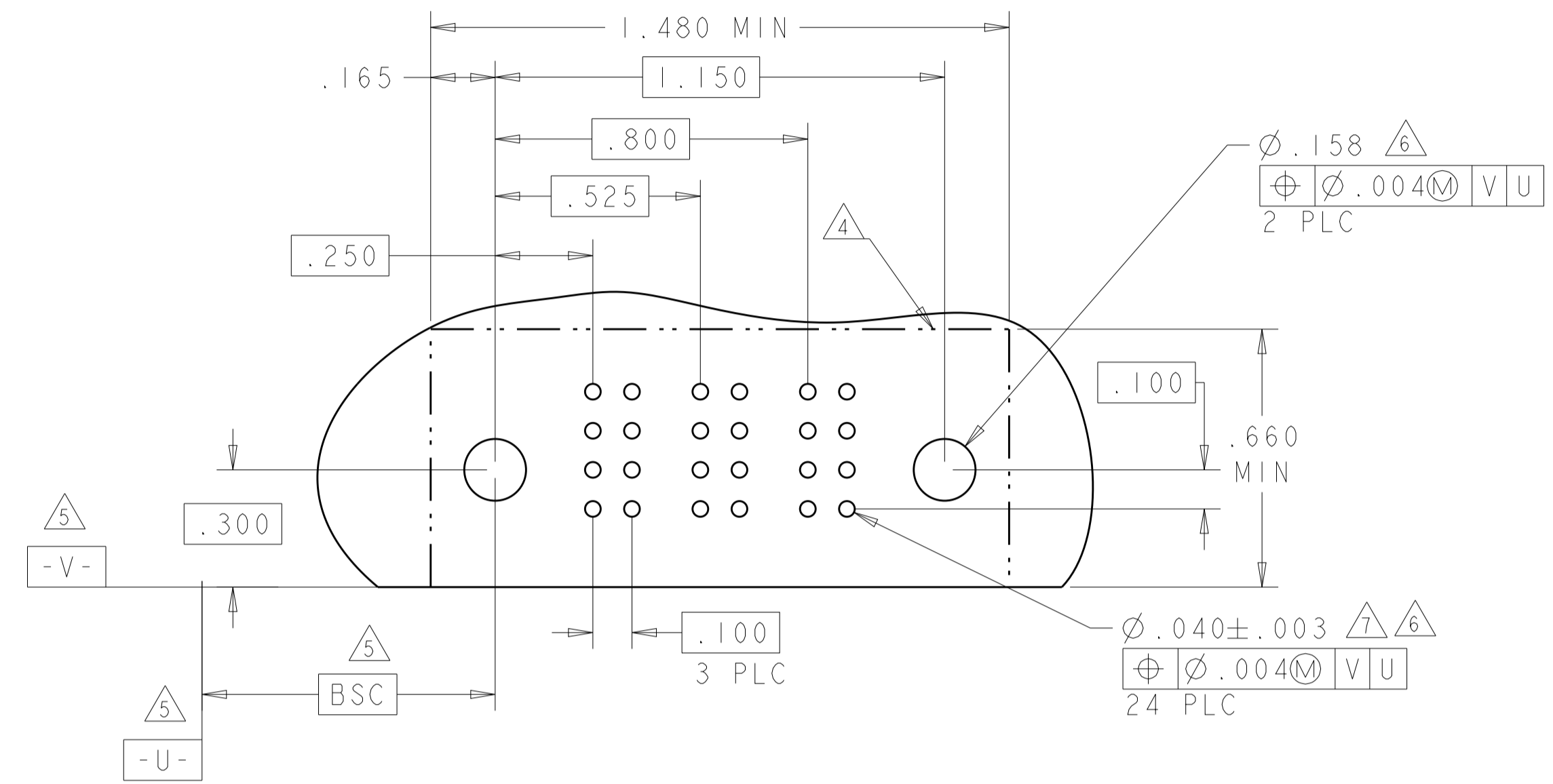
PART NUMBER	ROWS	SIGNAL												POWER								
		P1	P2	P3	P4	P5	P6	1	2	3	4	5	6	7	8	9	P7	P8	P9	P10	P11	P12
6450520-6	D C B A	PT	PT	PT	PT	PT	PT	Z5	Z5	Z5	Z5	Z5	Z5	Z5	Z5	Z5	PT	PT	PT	PT	PT	PT
		Y5	Y5	Y5	Y5	Y5	Y5	Y5	Y5	Y5	Y5	Y5	Y5	Y5	Y5	Y5						
		R5	R5	R5	R5	R5	R5	R5	R5	R5	R5	R5	R5	R5	R5	R5						
		O5	O5	O5	O5	O5	O5	O5	O5	O5	O5	O5	O5	O5	O5	O5						
6HDP + 36S + 6HDP																						



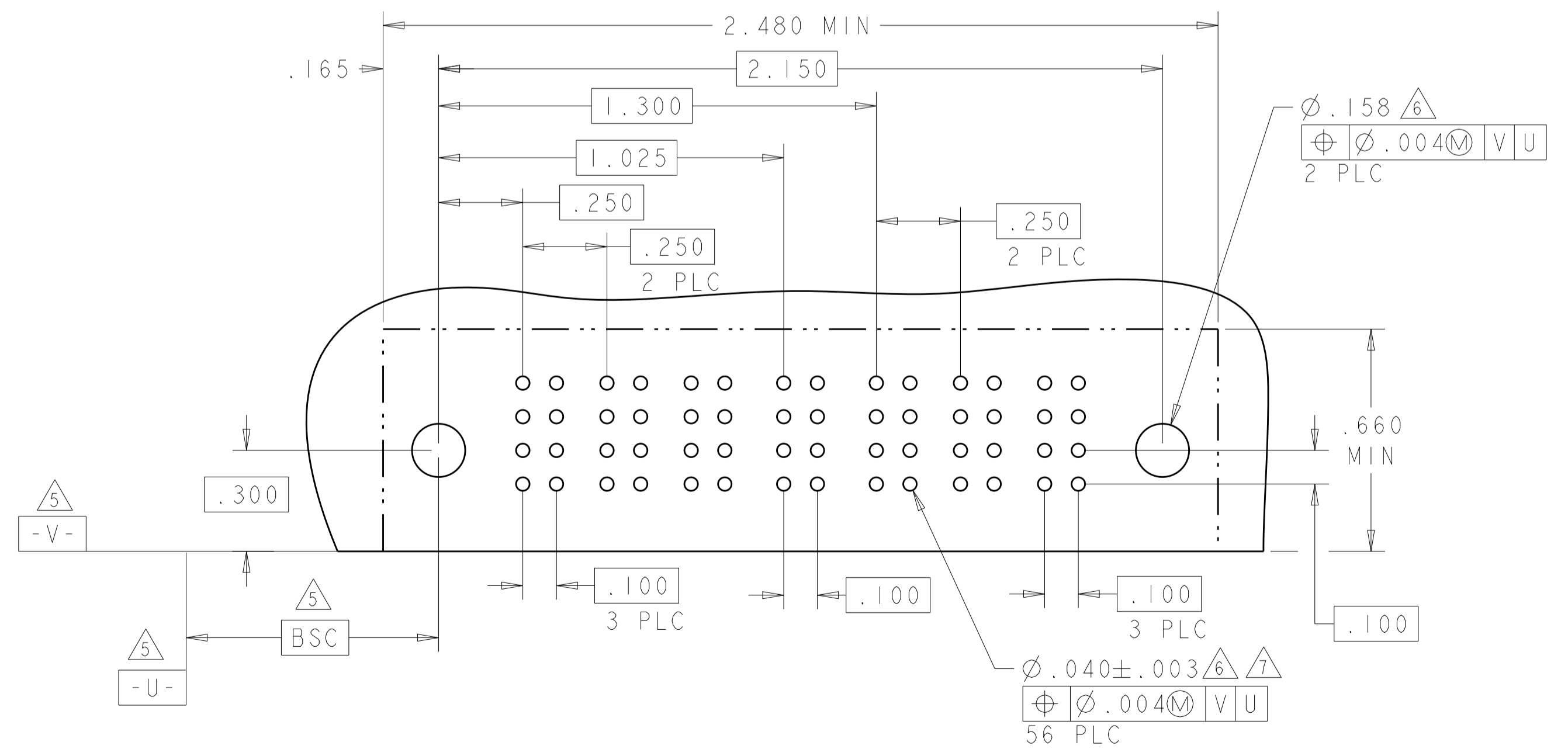
PART NUMBER	ROWS	SIGNAL												POWER									
		P1	P2	P3	P4	P5	P6	1	2	3	4	5	6	7	8	9	P7	P8	P9	P10	P11	P12	P13
6450520-7	D C B A	PT	PT	PT	PT	PT	PT	Z5	Z5	Z5	Z5	Z5	Z5	Z5	Z5	Z5	PT	PT	PT	PT	PT	PT	PT
		Y5	Y5	Y5	Y5	Y5	Y5	Y5	Y5	Y5	Y5	Y5	Y5	Y5	Y5	Y5							
		R5	R5	R5	R5	R5	R5	R5	R5	R5	R5	R5	R5	R5	R5	R5							
		O5	O5	O5	O5	O5	O5	O5	O5	O5	O5	O5	O5	O5	O5	O5							
6HDP + 36S + 7HDP																							



PART NUMBER	ROWS	POWER				SIGNAL				POWER					
		P1	P2	P3	P4	1	2	3	4	P5	P6	P7	P8	P9	P10
6450520-8	D C B A	PT	PT	PT	PT	Z5	Z5	Z5	Z5	PT	PT	PT	PT	PT	PT
		Y5	Y5	Y5	Y5	Y5	Y5	Y5	Y5						
		R5	R5	R5	R5	R5	R5	R5	R5						
		O5	O5	O5	O5	O5	O5	O5	O5						
IP + 8S + IP															



PART NUMBER	ROWS	POWER						SIGNAL				POWER									
		P1	P2	P3	P4	P5	P6	1	2	3	4	P7	P8	P9	P10	P11	P12	P13	P14	P15	P16
6450520-9	D C B A	PT	PT	PT	PT	PT	PT	Z5	Z5	Z5	Z5	PT	PT	PT	PT	PT	PT				
		Y5	Y5	Y5	Y5	Y5	Y5	Y5	Y5	Y5	Y5										
		R5	R5	R5	R5	R5	R5	R5	R5	R5	R5										
		O5	O5	O5	O5	O5	O5	O5	O5	O5	O5										
3P + 8S + 3P																					



THIS DRAWING IS A CONTROLLED DOCUMENT.

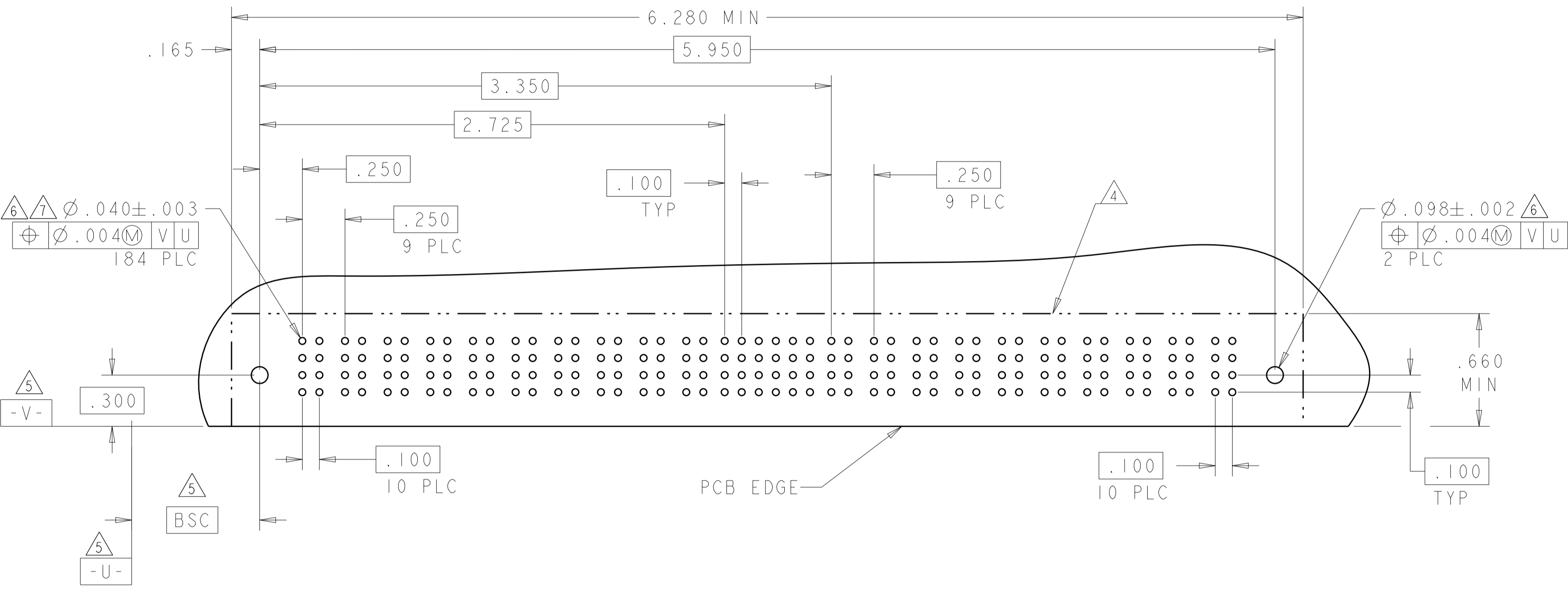
DIMENSIONS:	TOLERANCES UNLESS OTHERWISE SPECIFIED:	OWN	T. ZHANG	17MAY2006
INCHES	0 PLC ±.01	CHK	G. ZHANG	17MAY2006
	1 PLC ±.01	APPD	S. ZHAO	17MAY2006
	2 PLC ±.01	NAME	RIGHT ANGLE HEADER ASSEMBLY W/ GUIDE, PRESS FIT MULTI-BEAM XL	
	3 PLC ±.01	PRODUCT SPEC	108-1973	
	4 PLC ±.005	APPLICATION SPEC	114-13038	
	5 PLC ±.0020	SIZE	A100779C=6450520	
MATERIAL	FINISH	WEIGHT	CUSTOMER DRAWING	
		RESTRICTED TO	SCALE 4:1 SHEET 4 OF 7 REV E6	

LOC	DIST	REV	DATE	BY	APPV
ES	00				

REVISIONS					
REV	DATE	BY	APPV	DESCRIPTION	DATE
-	-	-	-	SEE SHEET 1	-

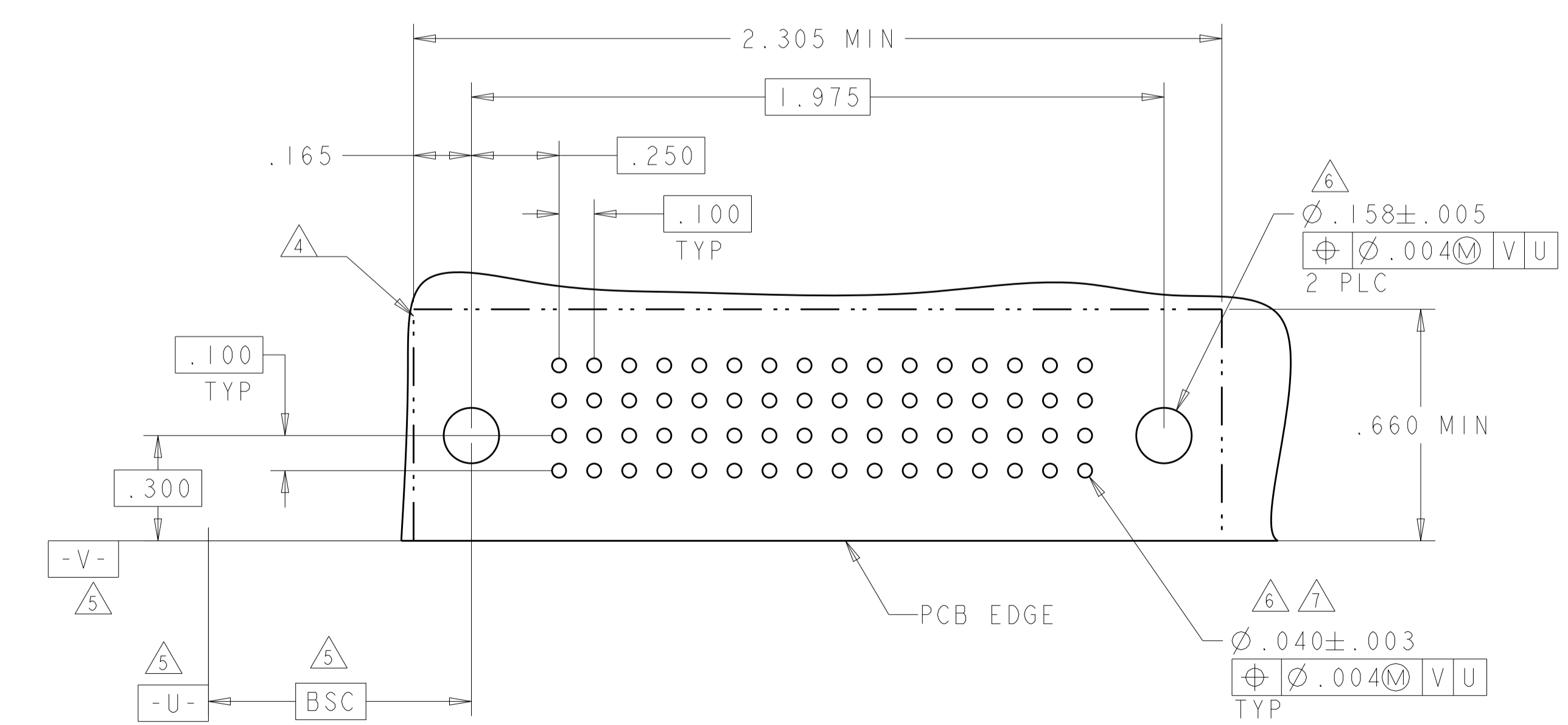
PART NUMBER	ROWS	POWER									SIGNAL						POWER										
		P1	P2	P3	P4	P5	P6	P7	P8	P9	P10	1	2	3	4	5	6	P11	P12	P13	P14	P15	P16	P17	P18	P19	P20
I-6450520-2	D C B A	PT	PT	PT	PT	PT	PT	PT	PT	PT	PT	Z5	Z5	Z5	Z5	Z5	Z5	PT	PT	PT	PT	PT	PT	PT	PT	PT	PT
		Y5	Y5	Y5	Y5	Y5	Y5	Y5	Y5	Y5	Y5	R5	R5	R5	R5	R5	R5										
		R5	R5	R5	R5	R5	R5	R5	R5	R5	R5	O5	O5	O5	O5	O5	O5										
		O5	O5	O5	O5	O5	O5	O5	O5	O5	O5																

10P + 24S + 10P



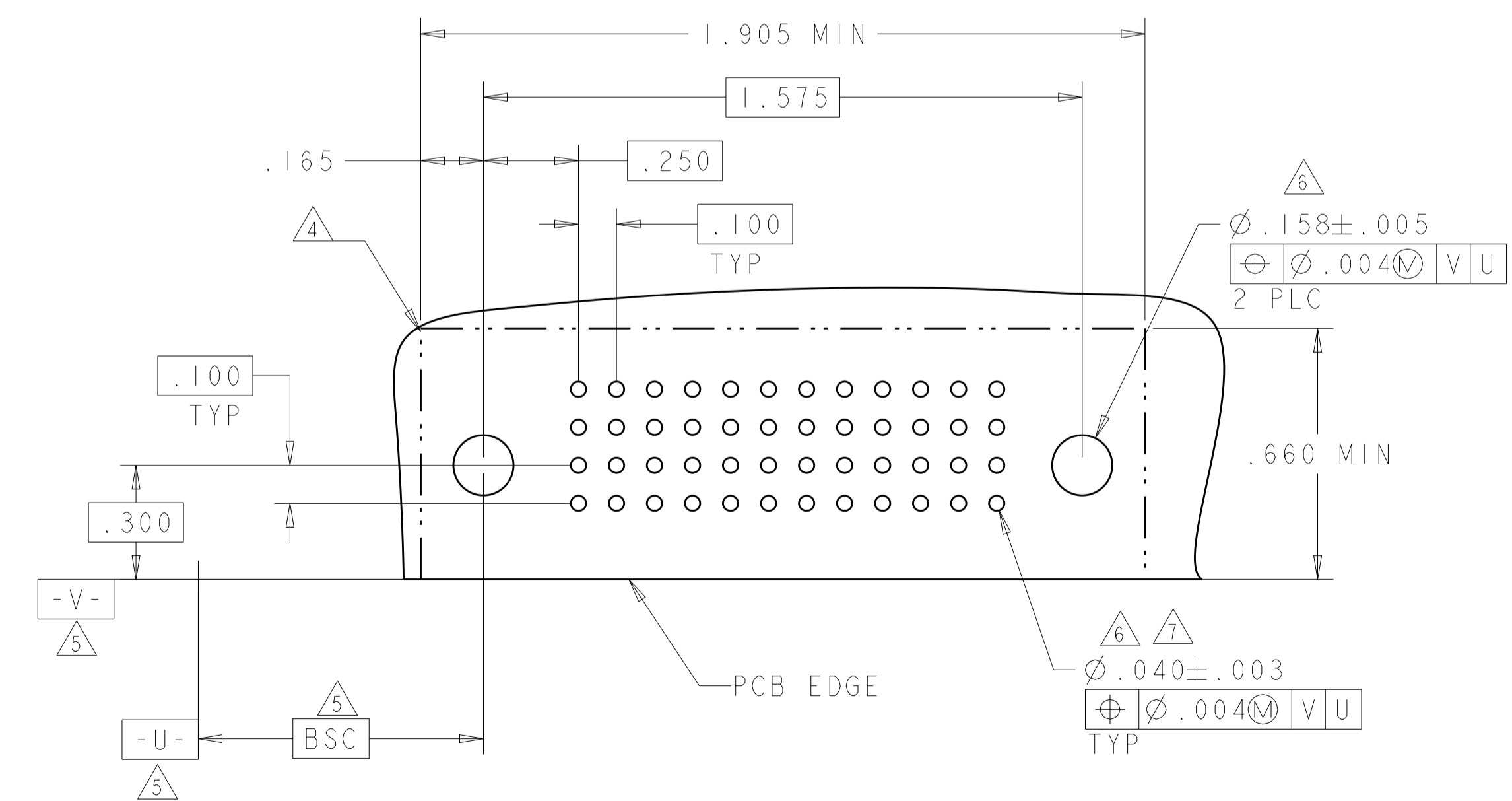
PART NUMBER	ROWS	SIGNAL															
		1	2	3	4	5	6	7	8	9	10	11	12	13	14	15	16
I-6450520-3	D C B A	Z5	Z5	Z5	Z5	Z5	Z5	Z5	Z5	Z5	Z5	Z5	Z5	Z5	Z5	Z5	Z5
		Y5	Y5	Y5	Y5	Y5	Y5	Y5	Y5	Y5	Y5	Y5	Y5	Y5	Y5	Y5	Y5
		R5	R5	R5	R5	R5	R5	R5	R5	R5	R5	R5	R5	R5	R5	R5	R5
		O5	O5	O5	O5	O5	O5	O5	O5	O5	O5	O5	O5	O5	O5	O5	O5

64S



PART NUMBER	ROWS	SIGNAL											
		1	2	3	4	5	6	7	8	9	10	11	12
I-6450520-4	D C B A	Z5	Z5	Z5	Z5	Z5	Z5	Z5	Z5	Z5	Z5	Z5	Z5
		Y5	Y5	Y5	Y5	Y5	Y5	Y5	Y5	Y5	Y5	Y5	Y5
		R5	R5	R5	R5	R5	R5	R5	R5	R5	R5	R5	R5
		O5	O5	O5	O5	O5	O5	O5	O5	O5	O5	O5	O5

48S



THIS DRAWING IS A CONTROLLED DOCUMENT.

DIMENSIONS:	TOLERANCES UNLESS OTHERWISE SPECIFIED:	OWN	T. ZHANG	17MAY2006
INCHES	0 PLC ± .01	CHK	G. ZHANG	17MAY2006
	1 PLC ± .01	APPV	S. ZHAO	17MAY2006
	3 PLC ± .005	NAME	RIGHT ANGLE HEADER ASSEMBLY W/ GUIDE, PRESS FIT MULTI-BEAM XL	
	4 PLC ± .0020	PRODUCT SPEC	108-1973	
	ANGLES ± .0020	APPLICATION SPEC	114-13038	
MATERIAL	FINISH	SIZE	CAGE CODE	DRAWING NO
		RESTRICTED TO	A100779	C=6450520

STE TE Connectivity

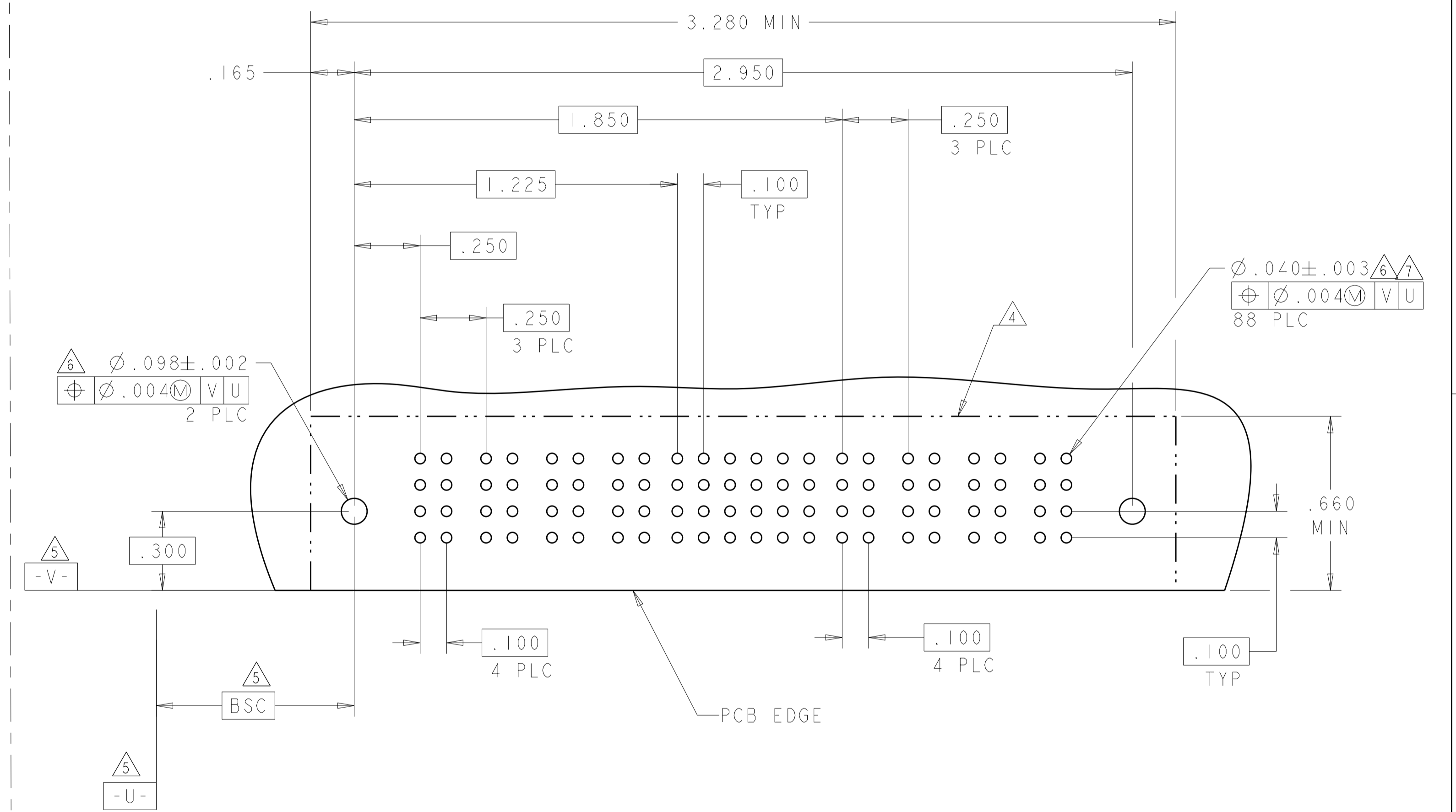
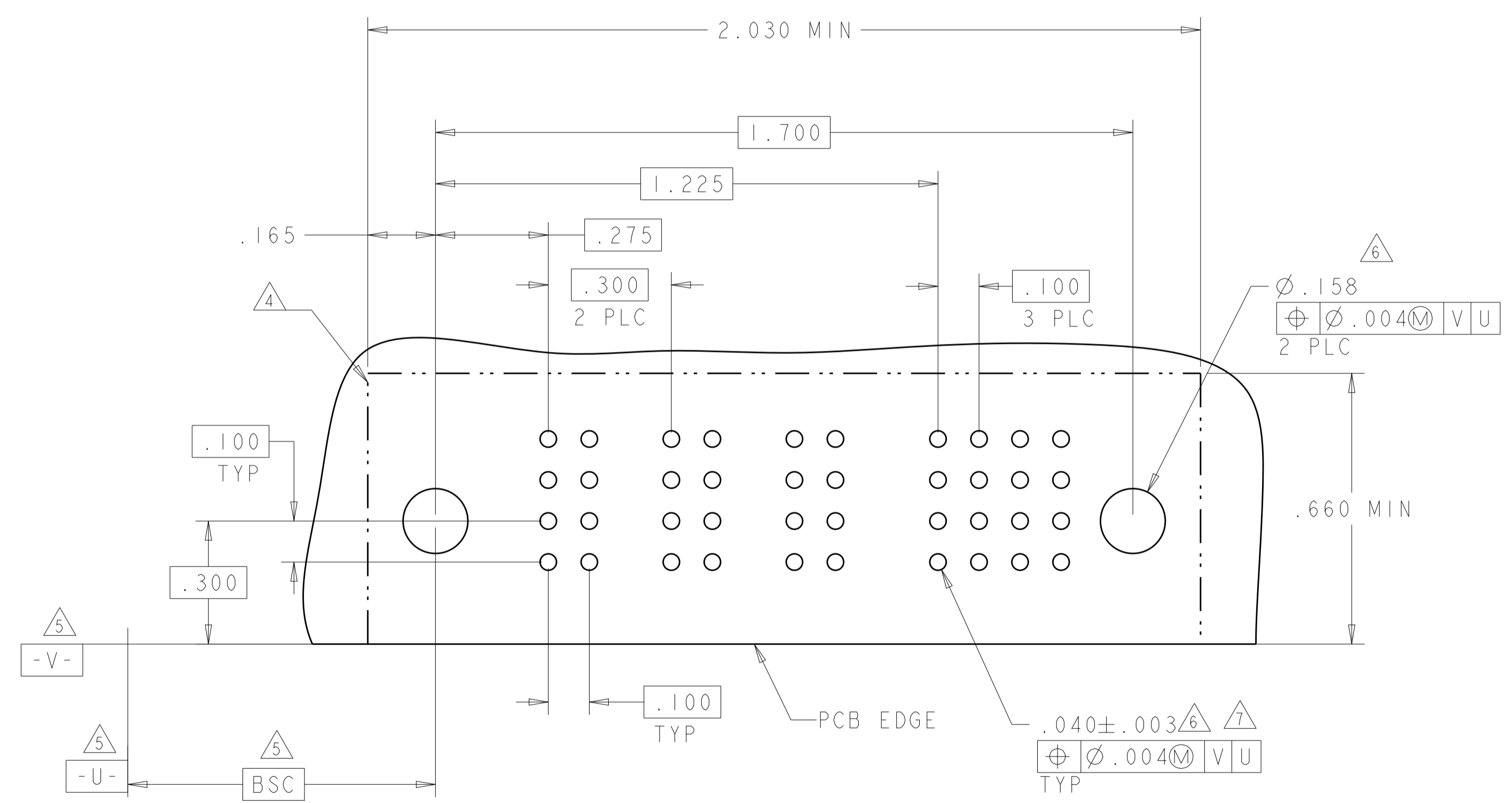
CUSTOMER DRAWING SCALE 4:1 SHEET 5 OF 7 REV E6

LOC	DIST	REVISIONS			
ES	00	REV	DATE	BY	APPV
		-	SEE SHEET 1	-	-

PART NUMBER	ROWS	POWER			SIGNAL			
		P1	P2	P3	1	2	3	4
		PT	PT	PT	Z5	Z5	Z5	Z5
1-6450520-5	D C B A				Y5	Y5	Y5	Y5
					R5	R5	R5	R5
					O5	O5	O5	O5

3ACP + 16S

PART NUMBER	ROWS	POWER				SIGNAL						POWER			
		P1	P2	P3	P4	1	2	3	4	5	6	P5	P6	P7	P8
1-6450520-6	D C B A					Z5	Z5	Z5	Z5	Z5	Z5				
						Y5	Y5	Y5	Y5	Y5	Y5				
						R5	R5	R5	R5	R5	R5				
4P + 24S + 4P	A					O5	O5	O5	O5	O5	O5				



THIS DRAWING IS A CONTROLLED DOCUMENT.

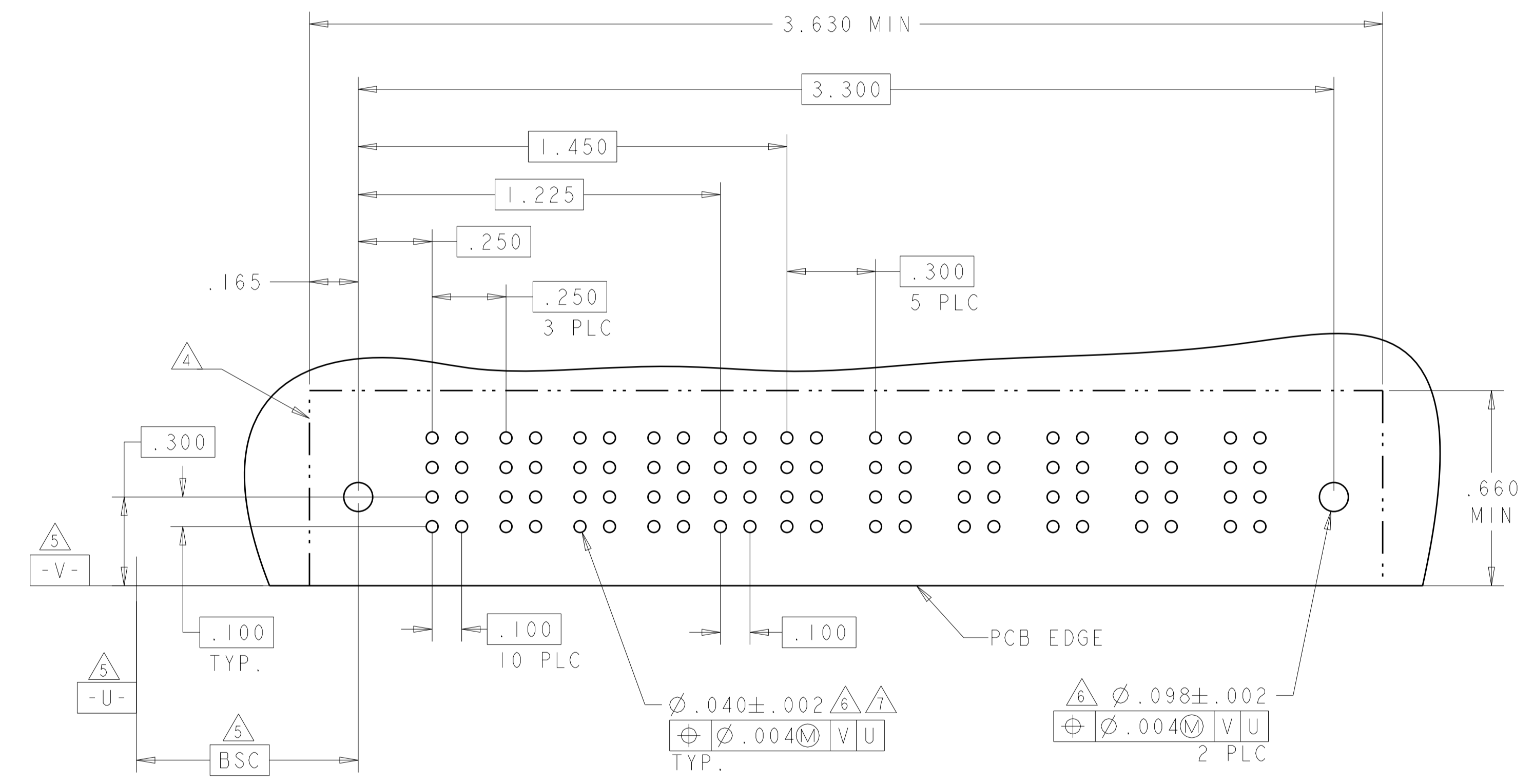
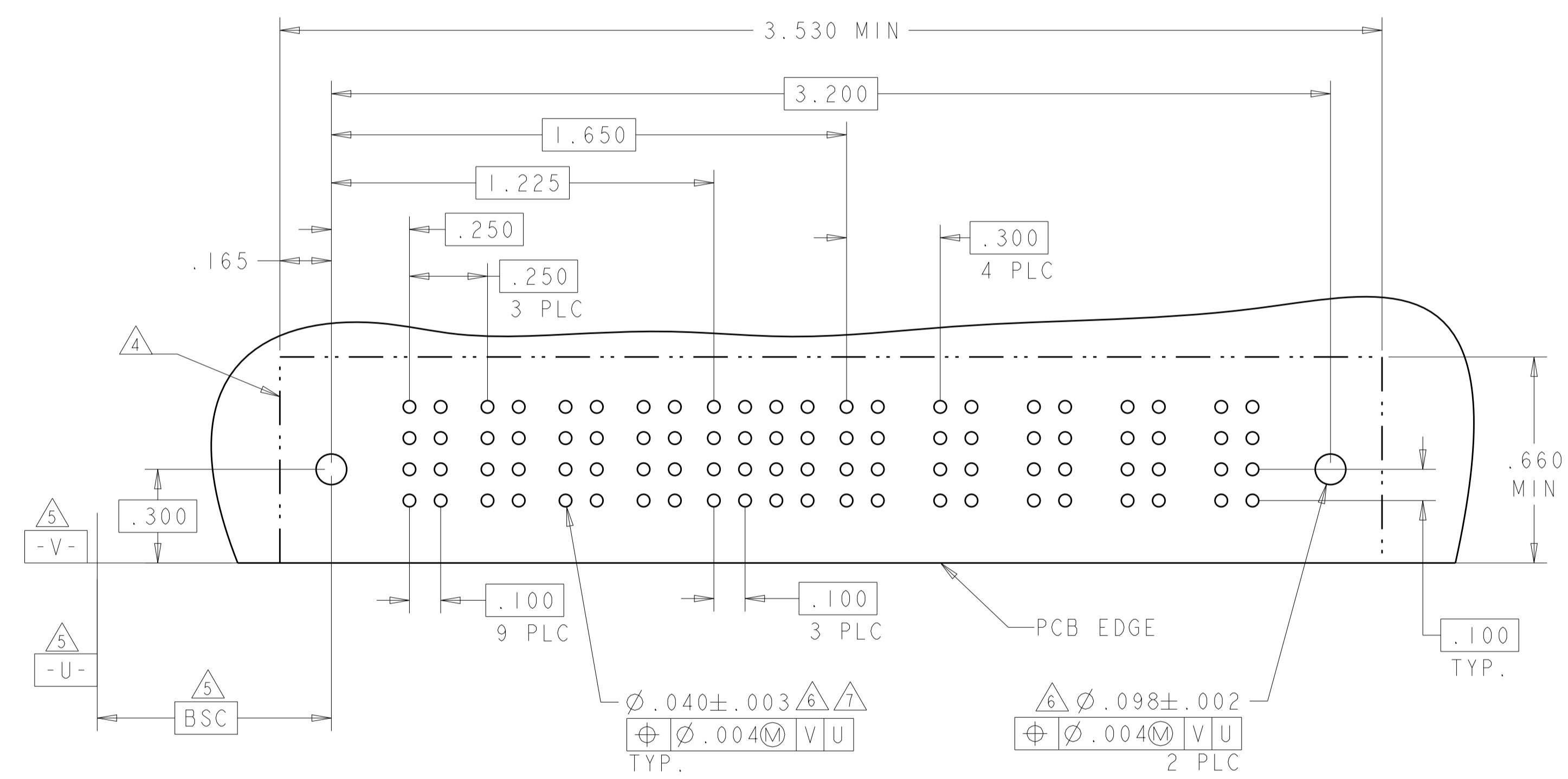
DIMENSIONS: INCHES	TOLERANCES UNLESS OTHERWISE SPECIFIED: 0 PLC ±. 1 PLC ±.01 2 PLC ±.01 3 PLC ±.005 4 PLC ±.0020 ANGLES ±.7°	OWN: T. ZHANG 17MAY2006 CHK: G. ZHANG 17MAY2006 APPV: S. ZHAO 17MAY2006	NAME: RIGHT ANGLE HEADER ASSEMBLY W/ GUIDE, PRESS FIT MULTI-BEAM XL
MATERIAL: -	FINISH: -	PRODUCT SPEC: 108-1973 APPLICATION SPEC: 114-13038 WEIGHT: -	SIZE: A100779 CAGE CODE: C=6450520 RESTRICTED TO: -
CUSTOMER DRAWING		SCALE: 4:1	SHEET 6 OF 7 REV: E6

TE Connectivity

LOC	DIST	REV	DATE	BY	APPV
ES	00				
REVISIONS			DESCRIPTION	DATE	BY
			SEE SHEET 1		

PART NUMBER	ROWS	POWER				SIGNAL				POWER				
		P1	P2	P3	P4	1	2	3	4	P5	P6	P7	P8	P9
E6 1-6450520-7	D C B A	PT	PT	PT	PT	Z5	Z5			PT	PT	PT	PT	PT
						Y5	Y5							
						R5	R5							
						O5	O5							
4P + 16S + 5P														

PART NUMBER	ROWS	POWER				SIGNAL		POWER					
		P1	P2	P3	P4	1	2	P5	P6	P7	P8	P9	P10
E6 1-6450520-8	D C B A	PT	PT	PT	PT	Z5	Z5	PT	PT	PT	PT	PT	PT
						Y5	Y5						
						R5	R5						
						O5	O5						
4P + 8S + 6P													



THIS DRAWING IS A CONTROLLED DOCUMENT.		OWN	T. ZHANG	17MAY2006	 TE Connectivity
DIMENSIONS:		CHK	G. ZHANG	17MAY2006	
INCHES		APVD	S. ZHAO	17MAY2006	NAME
TOLERANCES UNLESS OTHERWISE SPECIFIED: 0 PLC ±. 1 PLC ±.01 2 PLC ±.005 3 PLC ±.005 4 PLC ±.0020 ANGLES ±.020 FINISH		PRODUCT SPEC	108-1973		RIGHT ANGLE HEADER ASSEMBLY
MATERIAL		APPLICATION SPEC	114-13038		W/ GUIDE, PRESS FIT
		WEIGHT			MULTI-BEAM XL
		CUSTOMER DRAWING	SCALE	4:1	SHEET 7 OF 7
		SIZE	A100779C=6450520		REV
					E6