



Chipsmall Limited consists of a professional team with an average of over 10 year of expertise in the distribution of electronic components. Based in Hongkong, we have already established firm and mutual-benefit business relationships with customers from,Europe,America and south Asia,supplying obsolete and hard-to-find components to meet their specific needs.

With the principle of “Quality Parts,Customers Priority,Honest Operation,and Considerate Service”,our business mainly focus on the distribution of electronic components. Line cards we deal with include Microchip,ALPS,ROHM,Xilinx,Pulse,ON,Everlight and Freescale. Main products comprise IC,Modules,Potentiometer,IC Socket,Relay,Connector.Our parts cover such applications as commercial,industrial, and automotives areas.

We are looking forward to setting up business relationship with you and hope to provide you with the best service and solution. Let us make a better world for our industry!



## Contact us

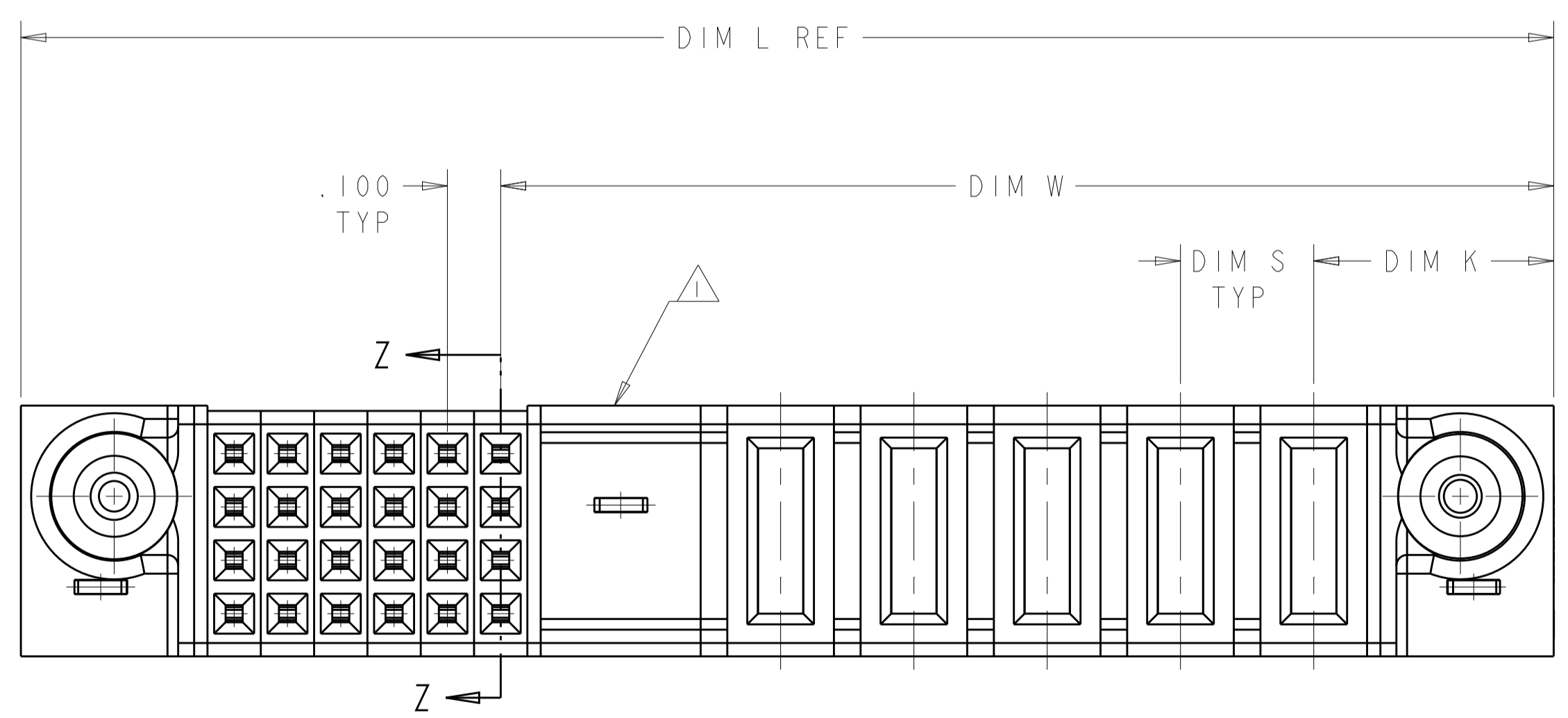
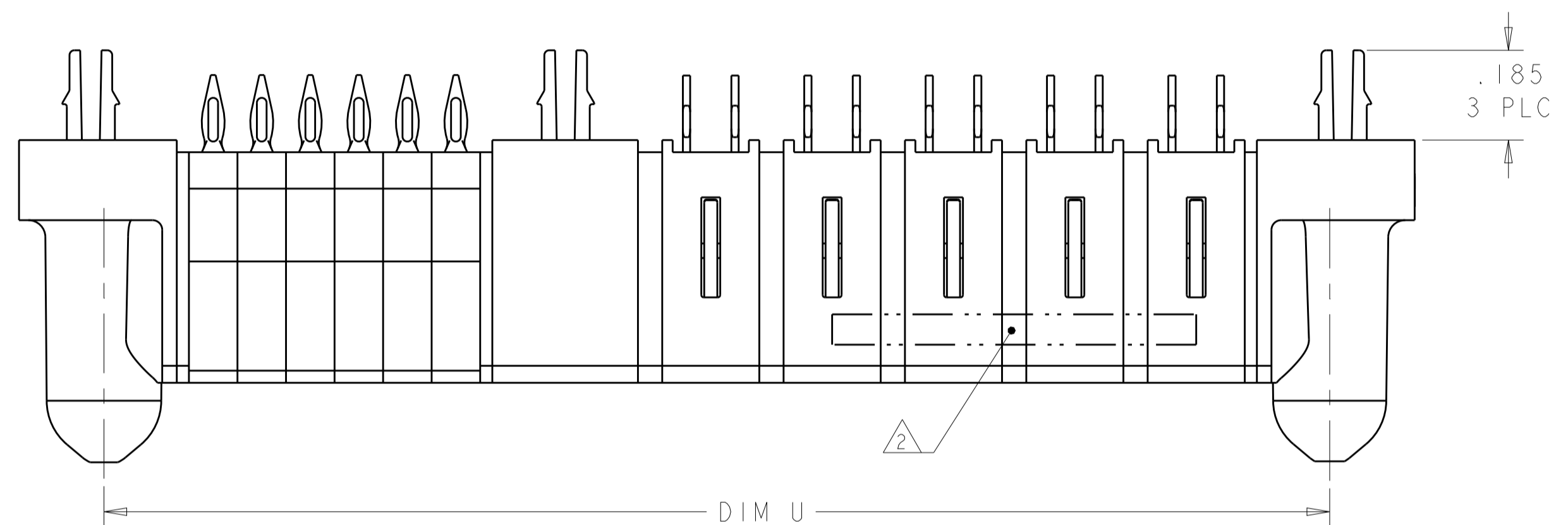
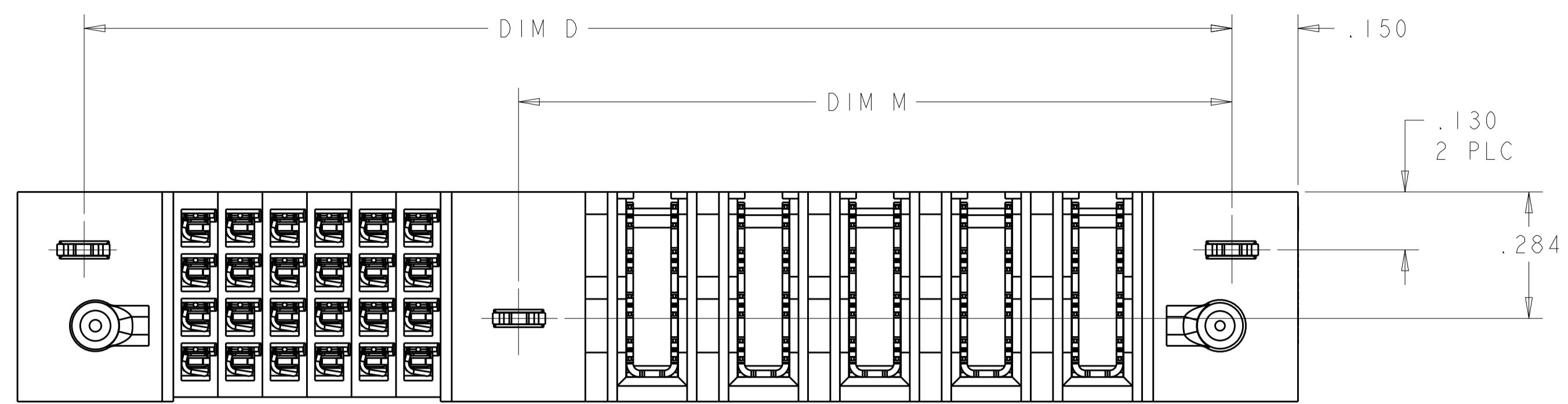
Tel: +86-755-8981 8866 Fax: +86-755-8427 6832

Email & Skype: info@chipsmall.com Web: www.chipsmall.com

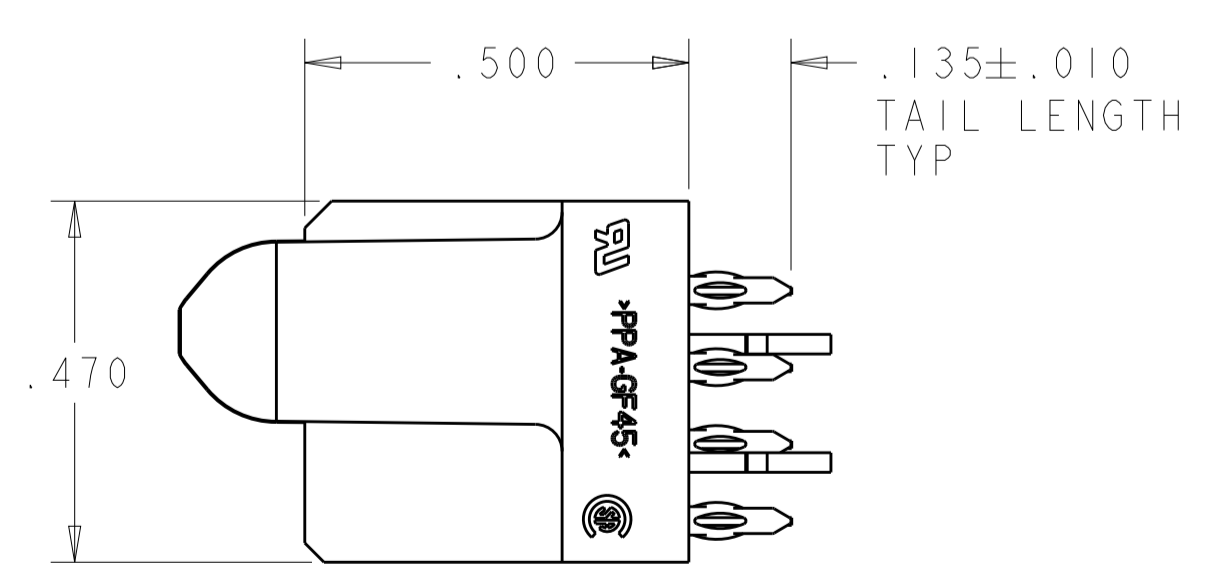
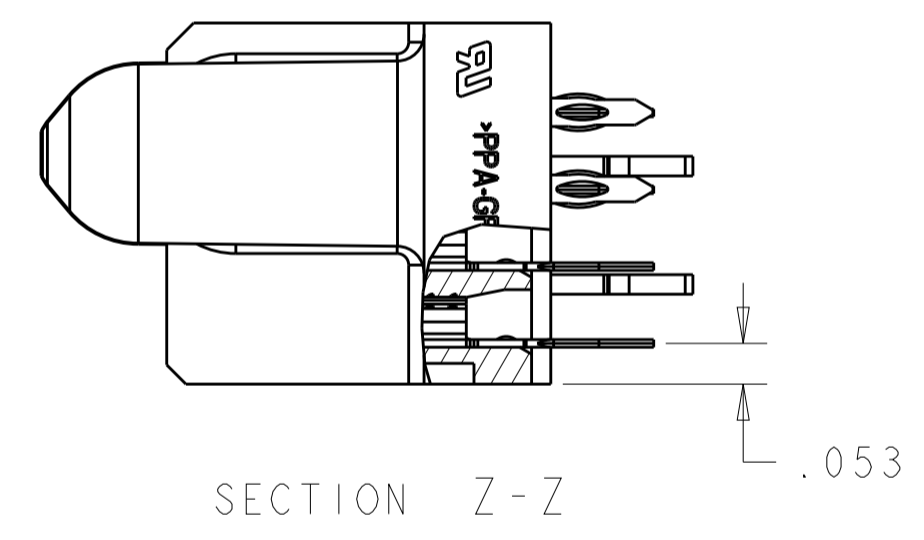
Address: A1208, Overseas Decoration Building, #122 Zhenhua RD., Futian, Shenzhen, China



LOC		DIST		REVISIONS			
P	LTN	DESCRIPTION	DATE	DMN	APVD		
G7		REV PER ECR-09-008079	08APR2009	OL	SY		
H		REV PER ECR-12-003783	28FEB2012	CZ	SZ		
H2		ADD NEW PART -29	28JAN2015	AY	SZ		



- 1 OPTIONAL CENTER MODULE, WITH Ø.150 THRU HOLE OR HOLD DOWN FEATURE
- 2 "AMP", PART NUMBER, AND DATE CODE TO BE MARKED IN AREA SHOWN PARTS UNDER 2.00 LONG MAY BE MARKED ON BOTH SIDES
- 3 MATERIAL: HOUSING - GLASS FILLED HIGH TEMP THERMO PLASTIC, UL94 V-0  
 SIGNAL CONTACT - HIGH CONDUCTIVITY COPPER ALLOY  
 POWER CONTACT - HIGH CONDUCTIVITY COPPER ALLOY
- 4 CONTACT PLATING: NOBLE METAL PLATING ON CONTACT FUNCTIONAL AREA OF POWER AND SIGNAL CONTACTS
- 5 MECHANICAL CONNECTOR KEEP OUT ZONE
- 6 DATUM AND BASIC DIMENSIONS ESTABLISHED BY CUSTOMER
- 7 PCB - ALL HOLE DIAMETERS ARE FINISHED HOLE SIZES
- 8 PCB - .0453±.0010 DRILLED HOLES PLATED WITH .0003 MIN Sn OVER .001 TO .003 CU PLATING TO ACHIEVE A .040±.003 DIA HOLE
- 9 VARIABLE DIMENSIONS PLEASE REFER TO TABLE FOR DETAIL.

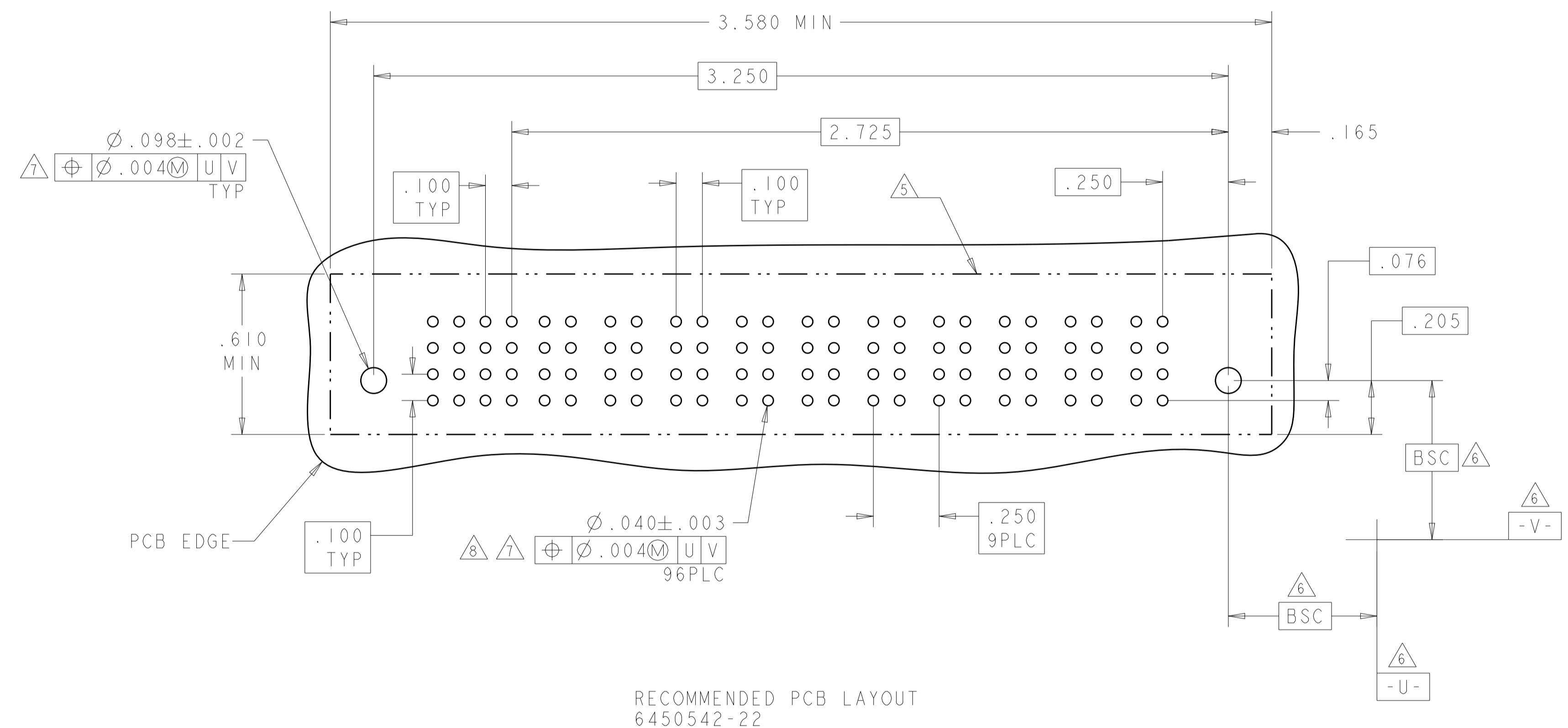


THIS DRAWING IS A CONTROLLED DOCUMENT.		DMN: R.GRZYBOWSKI 28FEB95	TE Connectivity
DIMENSIONS: INCHES		CHK: M.PERCHEKKE 28FEB05	
TOLERANCES UNLESS OTHERWISE SPECIFIED:		APVD: M.PERCHEKKE	NAME: VERTICAL RECEPTACLE ASSEMBLY WITH GUIDES MULTI-BEAM XL
0 PLC ±.01	1 PLC ±.01	PRODUCT SPEC: 108-1973	SIZE: A1
2 PLC ±.005	3 PLC ±.005	APPLICATION SPEC: 114-13038	CAGE CODE: 6450542
4 PLC ±.0020	ANGLES ±.7°	WEIGHT: -	RESTRICTED TO: -
MATERIAL: 3	FINISH: 4	CUSTOMER DRAWING	SCALE: 4:1 SHEET 1 OF 10 REV: H2

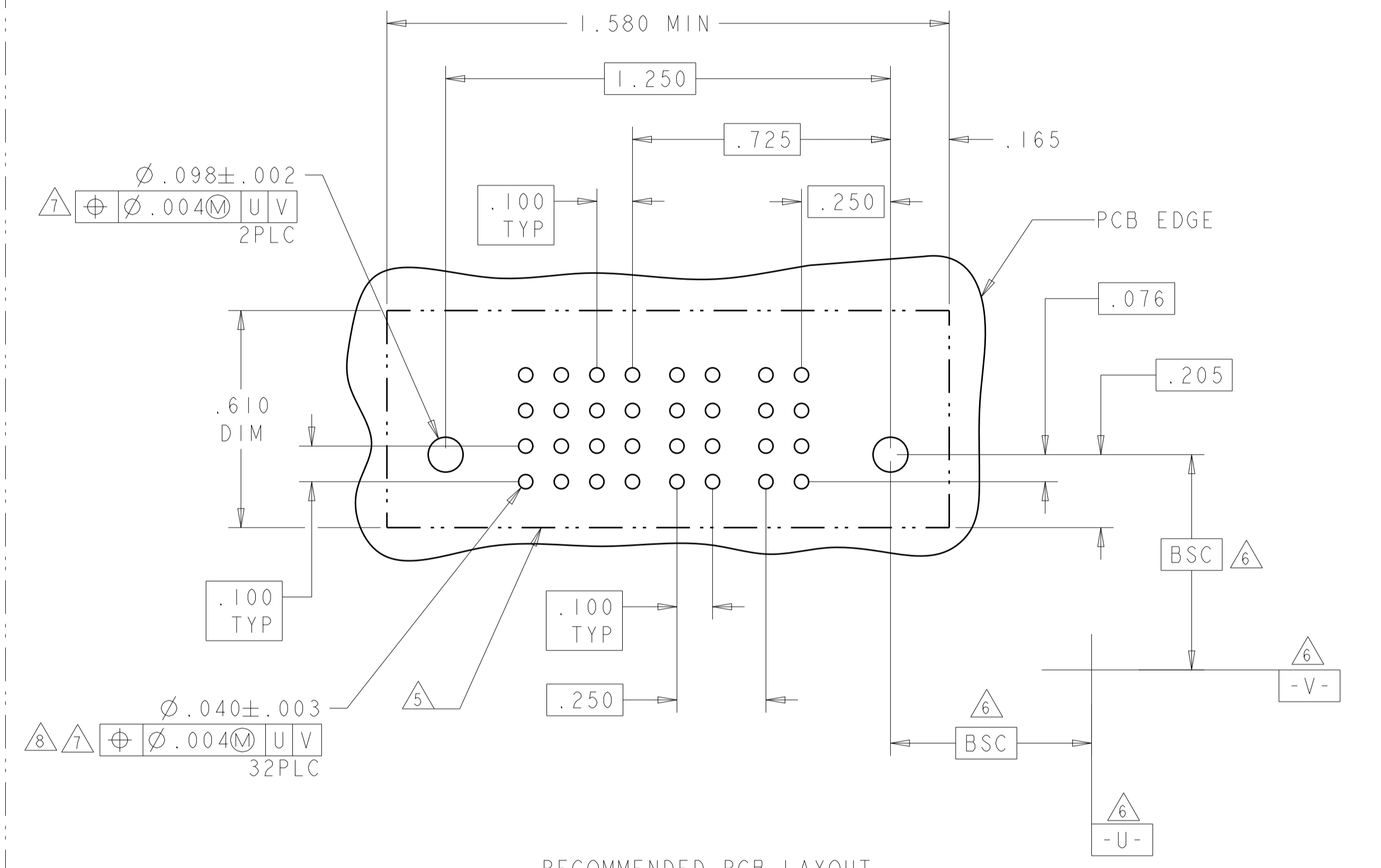
LOC		DIST		REVISIONS			
ES	00	P	LTN	DESCRIPTION	DATE	OWN	APVD
				SEE SHEET 1			

PART NUMBER	ROWS	SIGNAL				POWER										
		4	3	2	1	P10	P9	P8	P7	P6	P5	P4	P3	P2	P1	
2-6450542-2	D C B A	AP	AP	AP	AP	GS	GS	GS	GS	GS	GS	GS	GS	GS	GS	
		HD														HD
		10P + 16S														

PART NUMBER	ROWS	SIGNAL				POWER		
		4	3	2	1	P2	P1	
2-6450542-3	D C B A	AP	AP	AP	AP	GS	GS	
		HD						HD
		2P + 16S						



RECOMMENDED PCB LAYOUT  
6450542-22



RECOMMENDED PCB LAYOUT  
6450542-23

H2	DIM U	DIM S	DIM W	DIM D	DIM M	DIM L	DIM K	DESCRIPTION	PART NUMBER
	1.500	.250	1.375	1.550	-	1.850	.450	4P + 8S	2-6450542-9
	4.425	.200	2.200	4.475	-	4.775	.450	9P + 92S	2-6450542-7
	3.350	.200	2.825	3.400	-	3.700	.450	12HDP + 24S	2-6450542-5
	2.825	.200	2.300	2.875	-	3.175	.475	3ACP + 4P + 24S	2-6450542-4
	1.200	.250	.875	1.250	-	1.550	.450	2P + 16S	2-6450542-3
	3.200	.250	2.875	3.250	-	3.550	.450	10P + 16S	2-6450542-2
	2.300	.250	1.875	2.350	-	2.650	.450	6P + 20S	2-6450542-0
	1.800	.250	1.275	1.850	-	2.150	.450	4P + 24S	1-6450542-9
	2.900	.250	2.375	2.950	-	3.250	.450	8P + 24S	1-6450542-8
	2.100	.250	1.375	2.150	-	2.450	.450	4P + 32S	1-6450542-7
	2.100	.250	1.875	2.150	-	2.450	.450	6P + 12S	1-6450542-6
	2.900	.200	2.425	3.000	-	3.300	.450	10HDP + 24S	1-6450542-5
	2.000	.250	.875	-	-	2.350	.450	2P + 48S	1-6450542-4
	5.900	.250	5.375	5.950	-	6.250	.450	20P + 24S	1-6450542-2
	1.400	.250	.875	1.450	-	1.750	.450	2P + 24S	1-6450542-1
	1.100	-	.575	1.150	-	1.450	.425	1P + 24S	1-6450542-0
	4.425	.250	3.875	4.475	-	4.775	.450	14P + 24S	6450542-9
	3.050	.250	2.125	3.100	-	3.400	.450	7P + 40S	6450542-8
	3.800	-	3.550	3.850	-	4.150	.475	11P + 12S	6450542-4
	3.800	-	3.550	3.850	-	4.150	.475	11P + 12S	6450542-3
	3.000	.250	2.375	3.050	-	3.350	.450	8P + 28S	6450542-2
	1.600	.250	1.375	1.650	-	1.950	.450	4P + 12S	6450542-1

THIS DRAWING IS A CONTROLLED DOCUMENT.

DIMENSIONS: INCHES

TOLERANCES UNLESS OTHERWISE SPECIFIED:

0 PLC	±
1 PLC	±.01
2 PLC	±.01
3 PLC	±.005
4 PLC	±.002
ANGLES	±.0020

MATERIAL: FINISH:

APPROVED: M. PERCHERKE

PRODUCT SPEC: 108-1973

APPLICATION SPEC: 114-13038

WEIGHT: CUSTOMER DRAWING

SCALE: 4:1

SHEET 2 OF 10

REV H2

TE Connectivity

VERTICAL RECEPTACLE ASSEMBLY WITH GUIDES MULTI-BEAM XL

SIZE: CAGE CODE: DRAWING NO: 100779

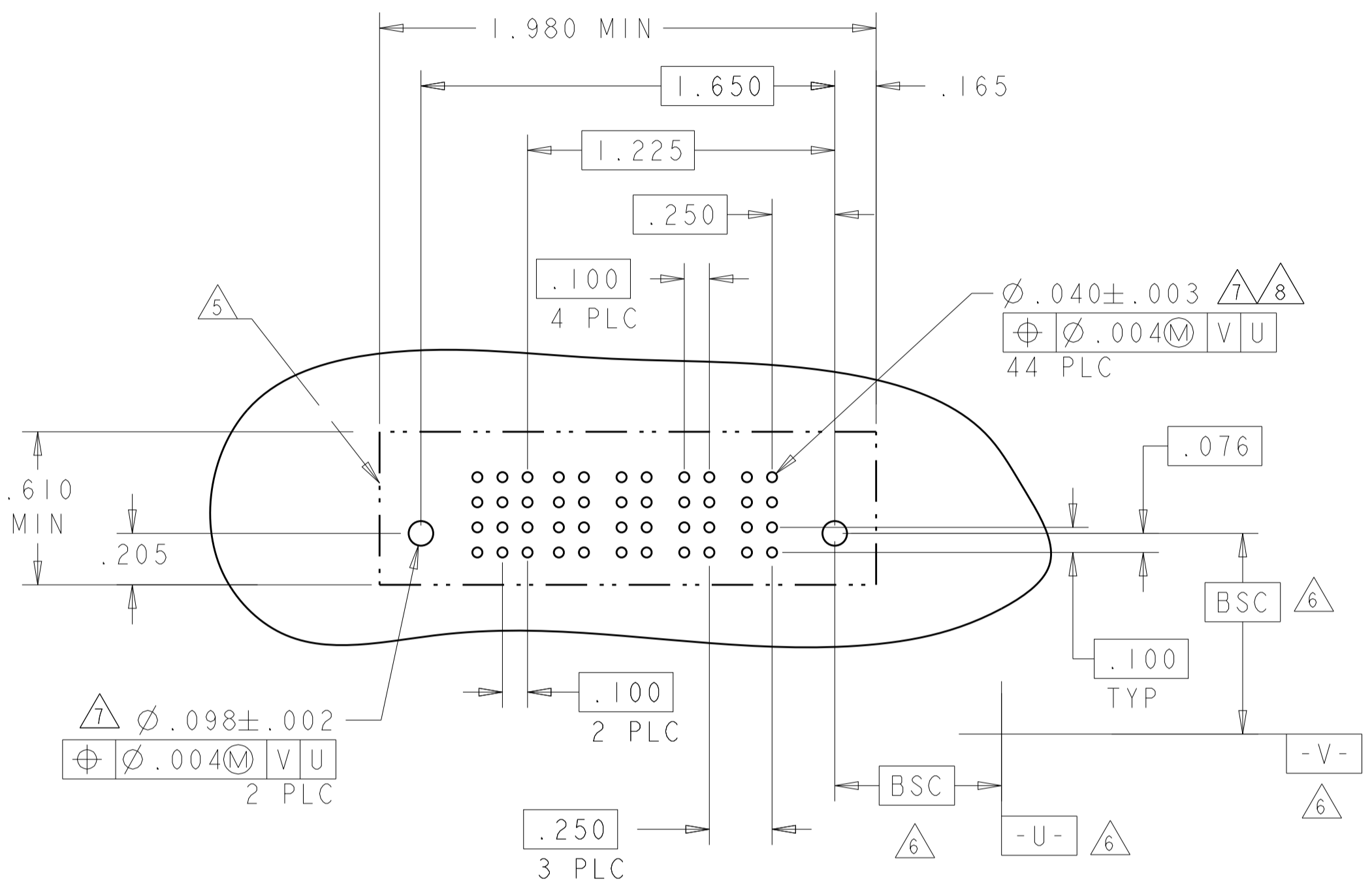
NAME: M. PERCHERKE

DESCRIPTION: VERTICAL RECEPTACLE ASSEMBLY WITH GUIDES MULTI-BEAM XL

PART NUMBER: 6450542

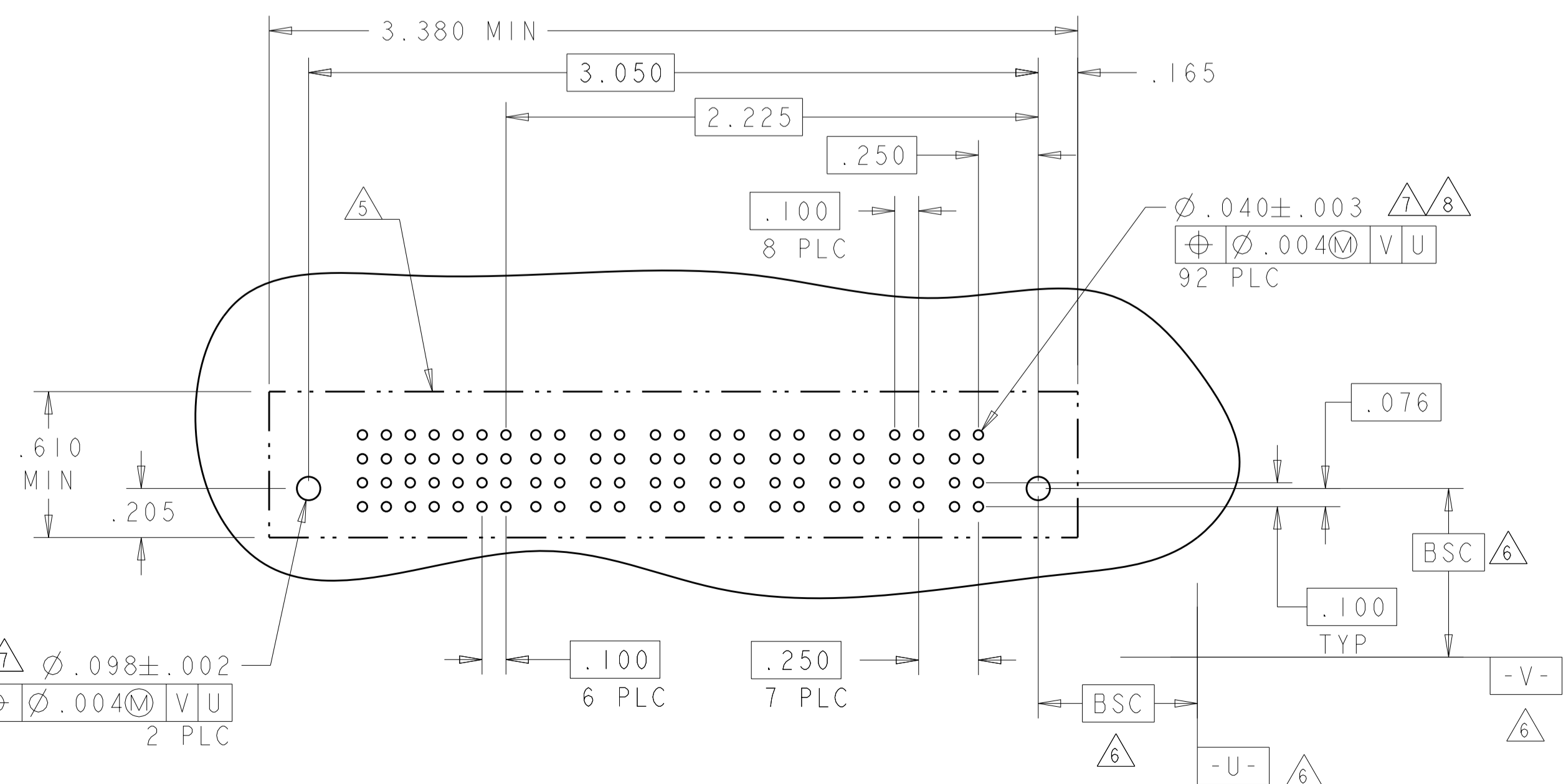
PART NUMBER	ROWS	SIGNAL			POWER			
		3	2	1	P4	P3	P2	P1
6450542-1	D	AP	AP	AP	GP	GP	GP	GP
	C	AP	AP	AP				
	B	AP	AP	AP				
	A	AP	AP	AP				

4P + 12S



PART NUMBER	ROWS	SIGNAL							POWER							
		7	6	5	4	3	2	1	P8	P7	P6	P5	P4	P3	P2	P1
6450542-2	D	AP	AP	AP	AP	AP	AP	AP	GP	GP	GP	GP	GP	GP	GP	GP
	C	AP	AP	AP	AP	AP	AP	AP								
	B	AP	AP	AP	AP	AP	AP	AP								
	A	AP	AP	AP	AP	AP	AP	AP								

8P + 28S



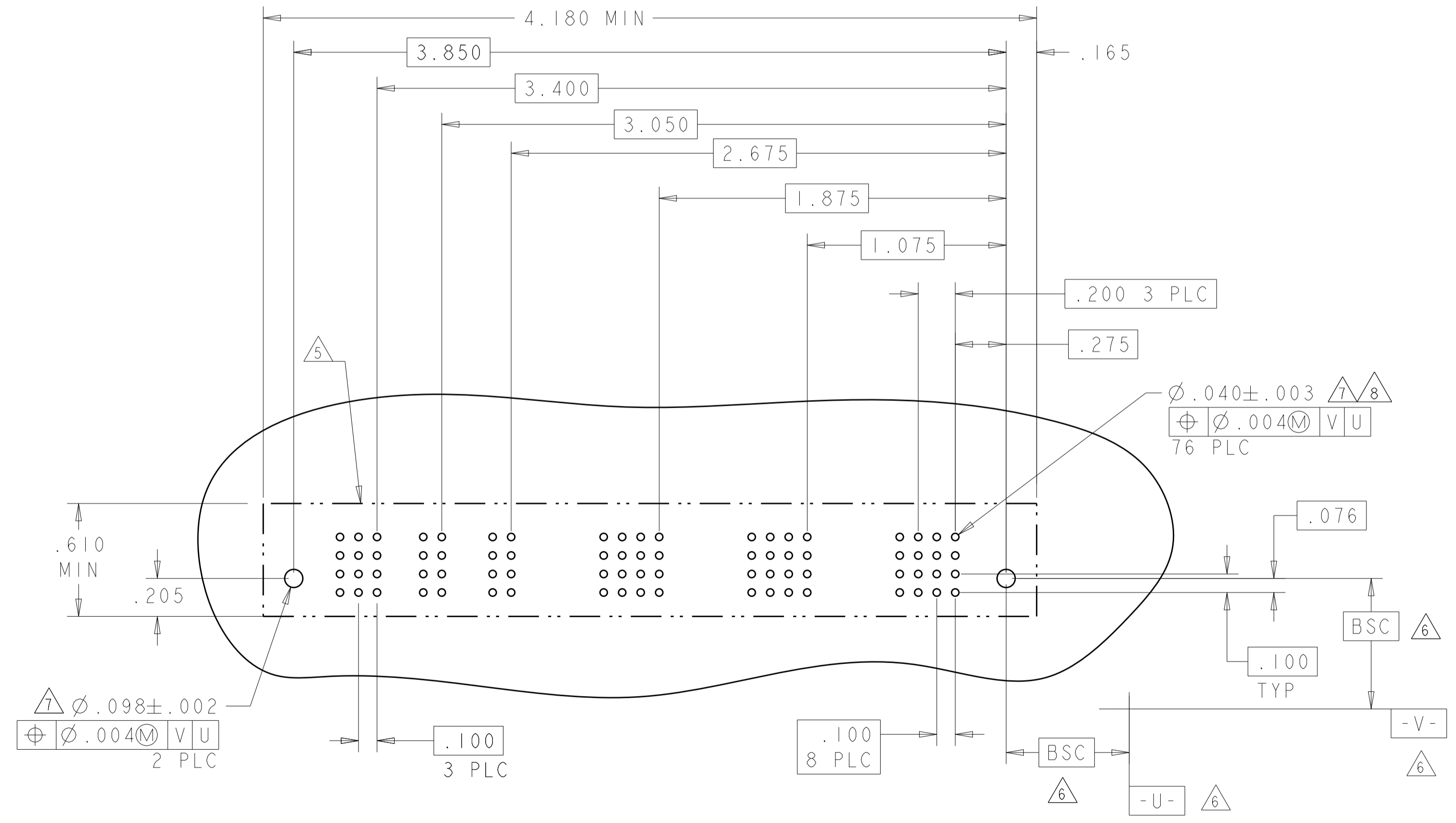
LOC	DIST	REVISIONS					
ES	00	P	LTN	DESCRIPTION	DATE	DMN	APVD
		-		SEE SHEET 1			

PART NUMBER	ROWS	SIGNAL			POWER										
		3	2	1	PII	PI0	P9	P8	P7	P6	P5	P4	P3	P2	P1
6450542-3	D	AP	AP	AP	GP	GP	GP	GP	GP	GP	GP	GP	GP	GP	GP
	C	AP	AP	AP											
	B	AP	AP	AP											
	A	AP	AP	AP											

11P + 12S

PART NUMBER	ROWS	SIGNAL			POWER										
		3	2	1	PII	PI0	P9	P8	P7	P6	P5	P4	P3	P2	P1
6450542-4	D	AP	AP	AP	GP	GP	GP	GP	GP	GP	GP	GP	GP	GP	GP
	C	AP	AP	AP											
	B	AP	AP	AP											
	A	AP	AP	AP											

11P + 12S



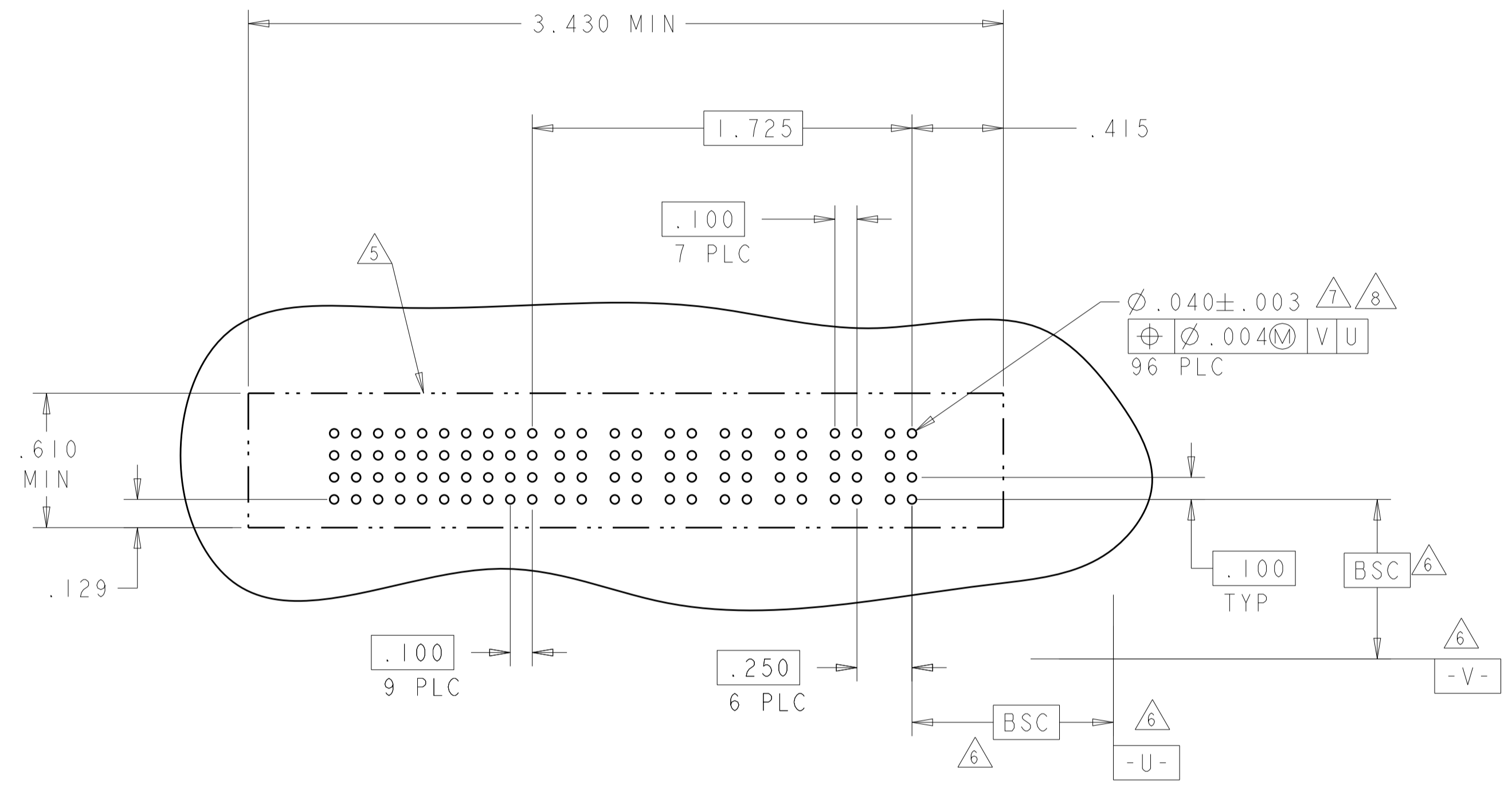
AP	SIGNAL PRESS FIT
GS	POWER PRESS FIT, STD
GP	POWER PRESS FIT, MFBL
CODE	TAIL LENGTH

THIS DRAWING IS A CONTROLLED DOCUMENT.

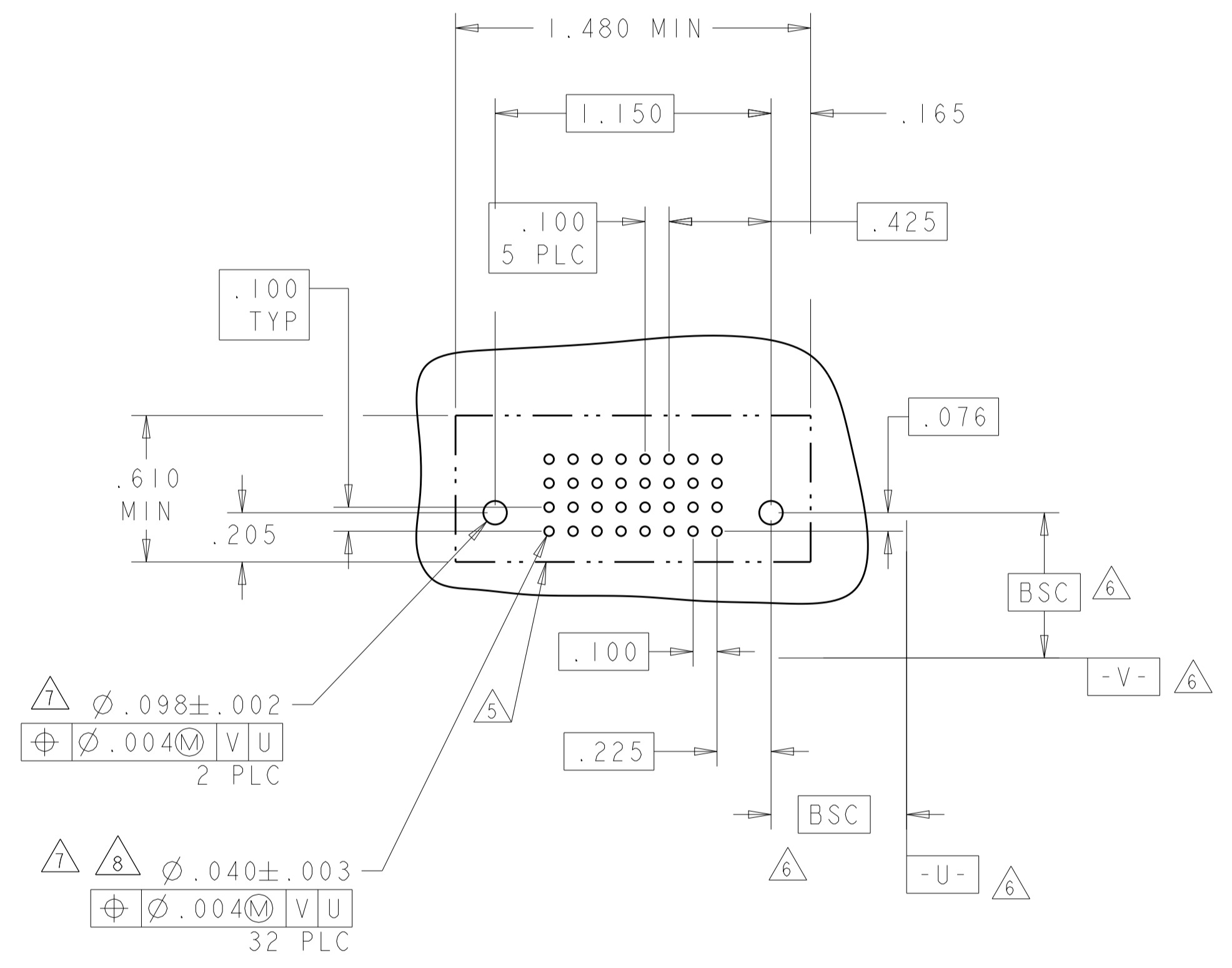
DIMENSIONS: INCHES	TOLERANCES UNLESS OTHERWISE SPECIFIED:	OWN: R. GRZYBOWSKI 28FEB95 CHK: M. PERCHERKE 28FEB05 APVD: M. PERCHERKE	NAME: VERTICAL RECEPTACLE ASSEMBLY WITH GUIDES MULTI-BEAM XL
0 PLC ± .01	1 PLC ± .01	PRODUCT SPEC	SIZE: CAGE CODE DRAWING NO
2 PLC ± .01	3 PLC ± .01	APPLICATION SPEC	RESTRICTED TO
4 PLC ± .005	5 PLC ± .005	114-13038	
ANGLES ± .002	FINISH	WEIGHT	
		A100779	
		C=6450542	
		CUSTOMER DRAWING	SCALE 1:1 SHEET 3 OF 10 REV H2

LOC	DIST	REVISIONS			
ES	00	REV	DATE	BY	APPV
		1	SEE SHEET 1		

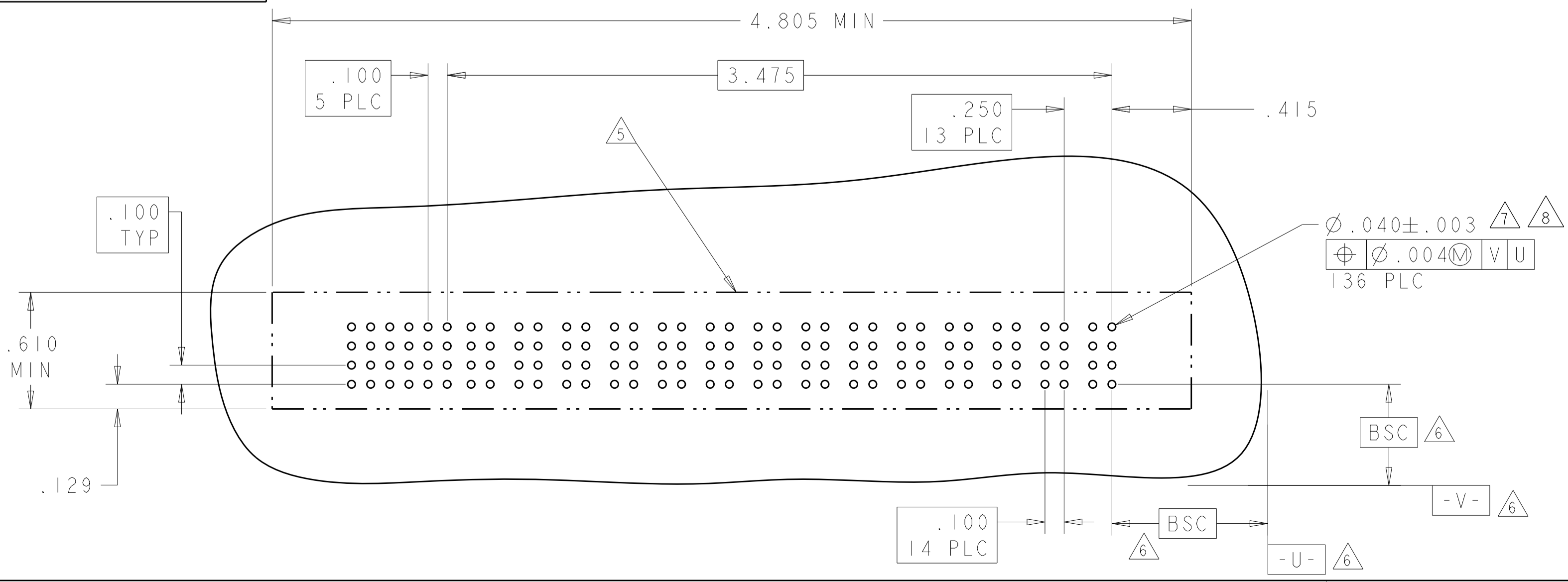
PART NUMBER	ROWS	SIGNAL										POWER						
		10	9	8	7	6	5	4	3	2	1	P7	P6	P5	P4	P3	P2	P1
6450542-8	D C B A	AP	AP	AP	AP	AP	AP	AP	AP	AP	AP	GP	GP	GP	GP	GP	GP	GP
		AP	AP	AP	AP	AP	AP	AP	AP	AP	AP	GP	GP	GP	GP	GP	GP	GP
		AP	AP	AP	AP	AP	AP	AP	AP	AP	AP	GP	GP	GP	GP	GP	GP	GP
		AP	AP	AP	AP	AP	AP	AP	AP	AP	AP	GP	GP	GP	GP	GP	GP	GP
7P + 40S																		



PART NUMBER	ROWS	SIGNAL					POWER	
		6	5	4	3	2	1	P1
1-6450542-0	D C B A	AP	AP	AP	AP	AP	AP	GP
		AP	AP	AP	AP	AP	AP	
		AP	AP	AP	AP	AP	AP	
		AP	AP	AP	AP	AP	AP	
IP + 24S								



PART NUMBER	ROWS	SIGNAL						POWER														
		6	5	4	3	2	1	P14	P13	P12	P11	P10	P9	P8	P7	P6	P5	P4	P3	P2	P1	
6450542-9	D C B A	AP	AP	AP	AP	AP	AP	GP	GP	GP	GP	GP	GP	GP	GP	GP	GP	GP	GP	GP	GP	GP
		AP	AP	AP	AP	AP	AP	GP	GP	GP	GP	GP	GP	GP	GP	GP	GP	GP	GP	GP	GP	
		AP	AP	AP	AP	AP	AP	GP	GP	GP	GP	GP	GP	GP	GP	GP	GP	GP	GP	GP	GP	
		AP	AP	AP	AP	AP	AP	GP	GP	GP	GP	GP	GP	GP	GP	GP	GP	GP	GP	GP	GP	
14P + 24S																						



THIS DRAWING IS A CONTROLLED DOCUMENT.

DIMENSIONS: INCHES	TOLERANCES UNLESS OTHERWISE SPECIFIED:	OWN: R. GRZYBOWSKI 28FEB05	CHK: M. PERCHERKE 28FEB05	APVD: M. PERCHERKE	NAME: VERTICAL RECEPTACLE ASSEMBLY WITH GUIDES MULTI-BEAM XL
MATERIAL:	FINISH:	SIZE: 108-1973	APPLICATION SPEC: 114-13038	WEIGHT:	RESTRICTED TO: -
CUSTOMER DRAWING		SCALE: 4:1	SHEET: 4 OF 10	REV: H2	

4805 (3/11)

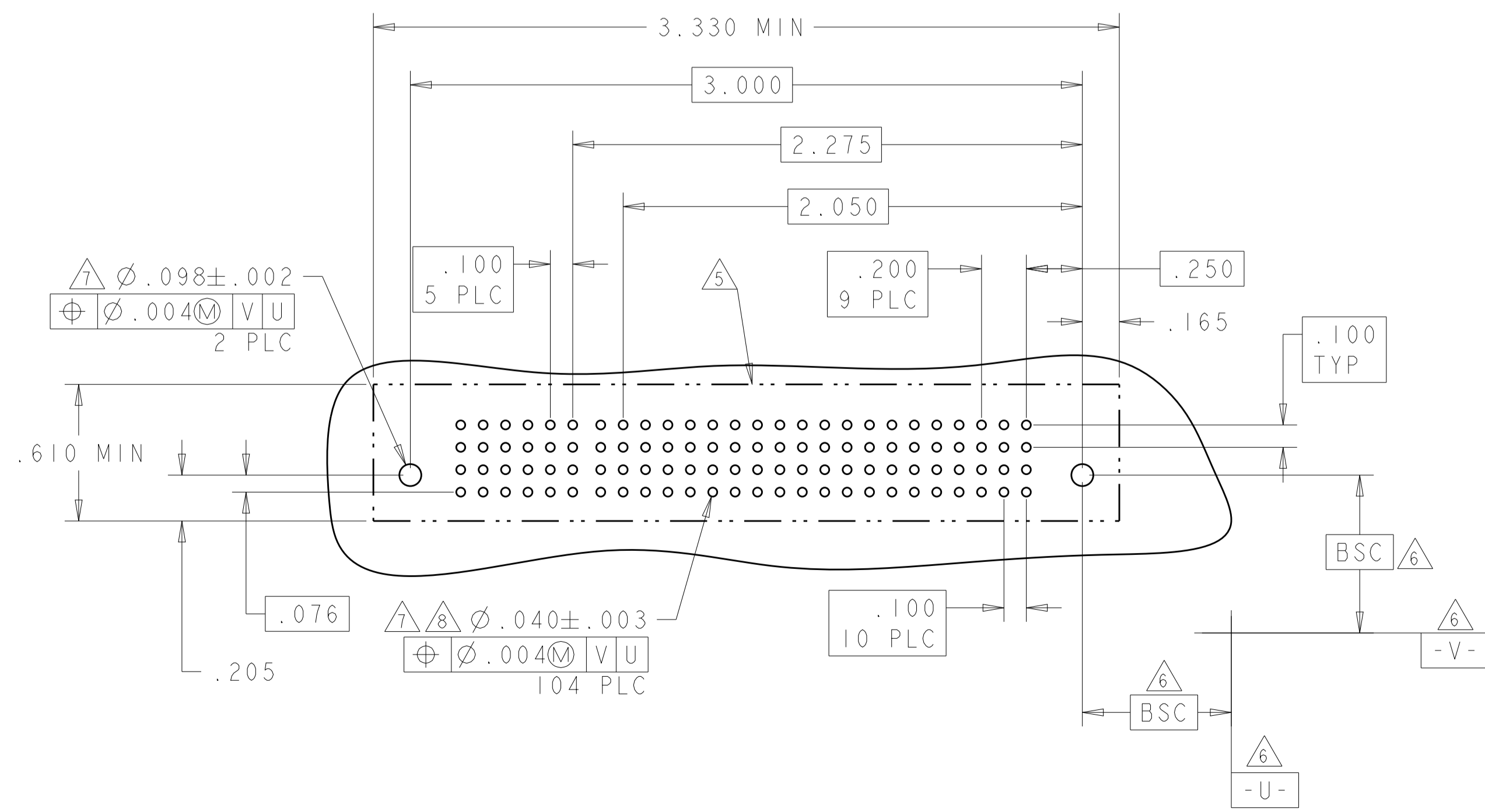
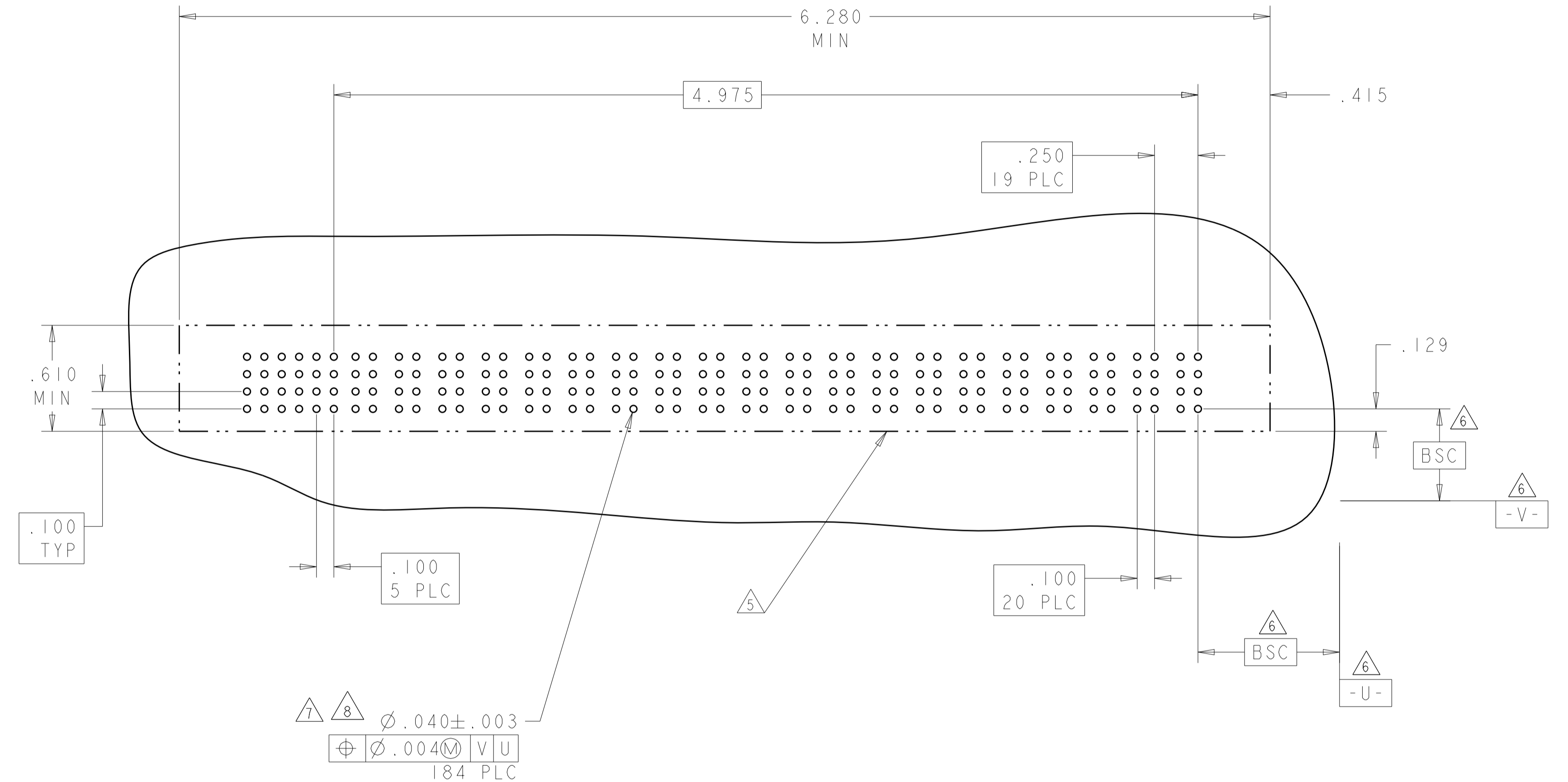
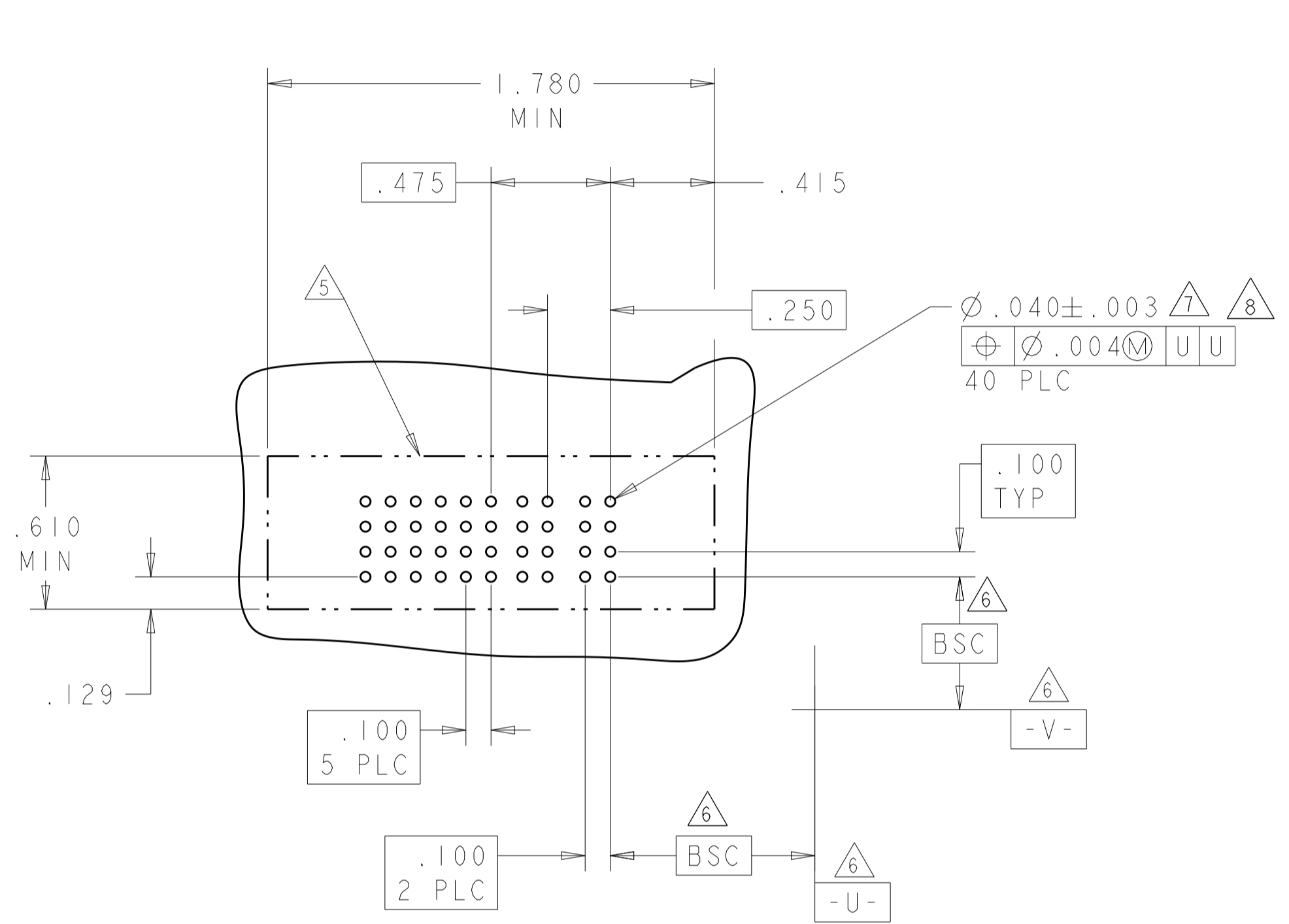
LOC	DIST	REV	DATE	BY	APPV
ES	00				

REVISIONS		DATE	BY	APPV
1	SEE SHEET 1			

PART NUMBER	ROWS	SIGNAL						POWER	
		6	5	4	3	2	1	P2	P1
I-6450542-1	D	AP	AP	AP	AP	AP	AP	GP	GP
	C	AP	AP	AP	AP	AP	AP		
	B	AP	AP	AP	AP	AP	AP		
	A	AP	AP	AP	AP	AP	AP		
2P + 24S									

PART NUMBER	ROWS	SIGNAL						POWER																				
		6	5	4	3	2	1	P20	P19	P18	P17	P16	P15	P14	P13	P12	P11	P10	P9	P8	P7	P6	P5	P4	P3	P2	P1	
I-6450542-2	D	AP	AP	AP	AP	AP	AP	GP	GP	GP	GP	GP	GP	GP	GP	GP	GP	GP	GP	GP	GP	GP	GP	GP	GP	GP	GP	
	C	AP	AP	AP	AP	AP	AP																					
	B	AP	AP	AP	AP	AP	AP																					
	A	AP	AP	AP	AP	AP	AP																					
20P + 24S																												



PART NUMBER	ROWS	SIGNAL						POWER									
		6	5	4	3	2	1	P10	P9	P8	P7	P6	P5	P4	P3	P2	P1
I-6450542-5	D	AP	AP	AP	AP	AP	AP	GP	GP	GP	GP	GP	GP	GP	GP	GP	GP
	C	AP	AP	AP	AP	AP	AP										
	B	AP	AP	AP	AP	AP	AP										
	A	AP	AP	AP	AP	AP	AP										
10HDP + 24S																	

THIS DRAWING IS A CONTROLLED DOCUMENT.

OWN: R. GRZYBOWSKI 28FEB95  
 CHK: M. PERCHERKE 28FEB05  
 APVD: M. PERCHERKE

TE Connectivity

NAME: VERTICAL RECEPTACLE ASSEMBLY WITH GUIDES MULTI-BEAM XL

PRODUCT SPEC: 108-1973  
 APPLICATION SPEC: 114-13038

SIZE: A1  
 CAGE CODE: 100779  
 DRAWING NO: 6450542

RESTRICTED TO: H2

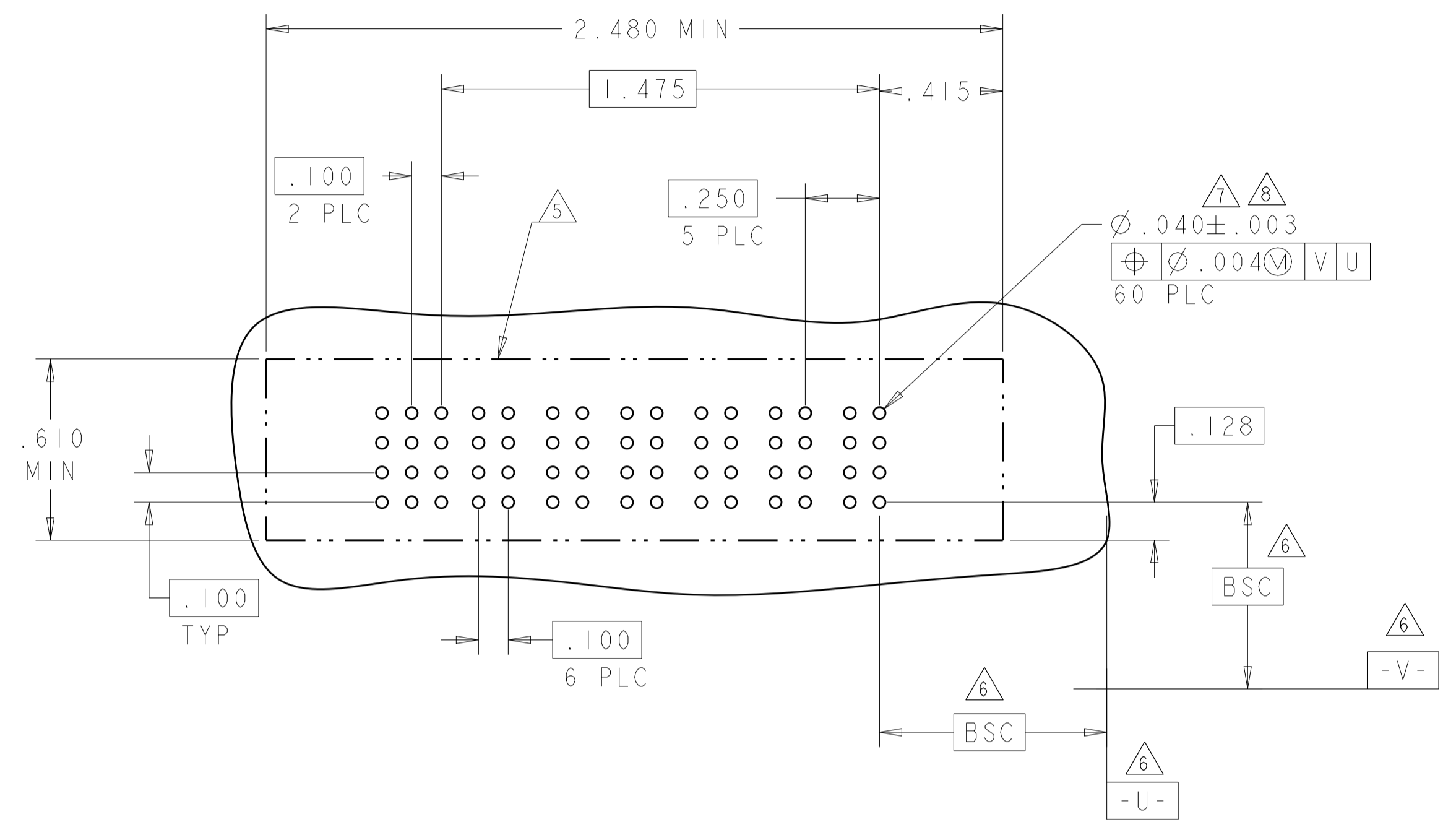
SCALE: 4:1  
 SHEET: 5 OF 10  
 REV: H2

LOC	DIST	REV	DATE	BY	APPV
ES	00				

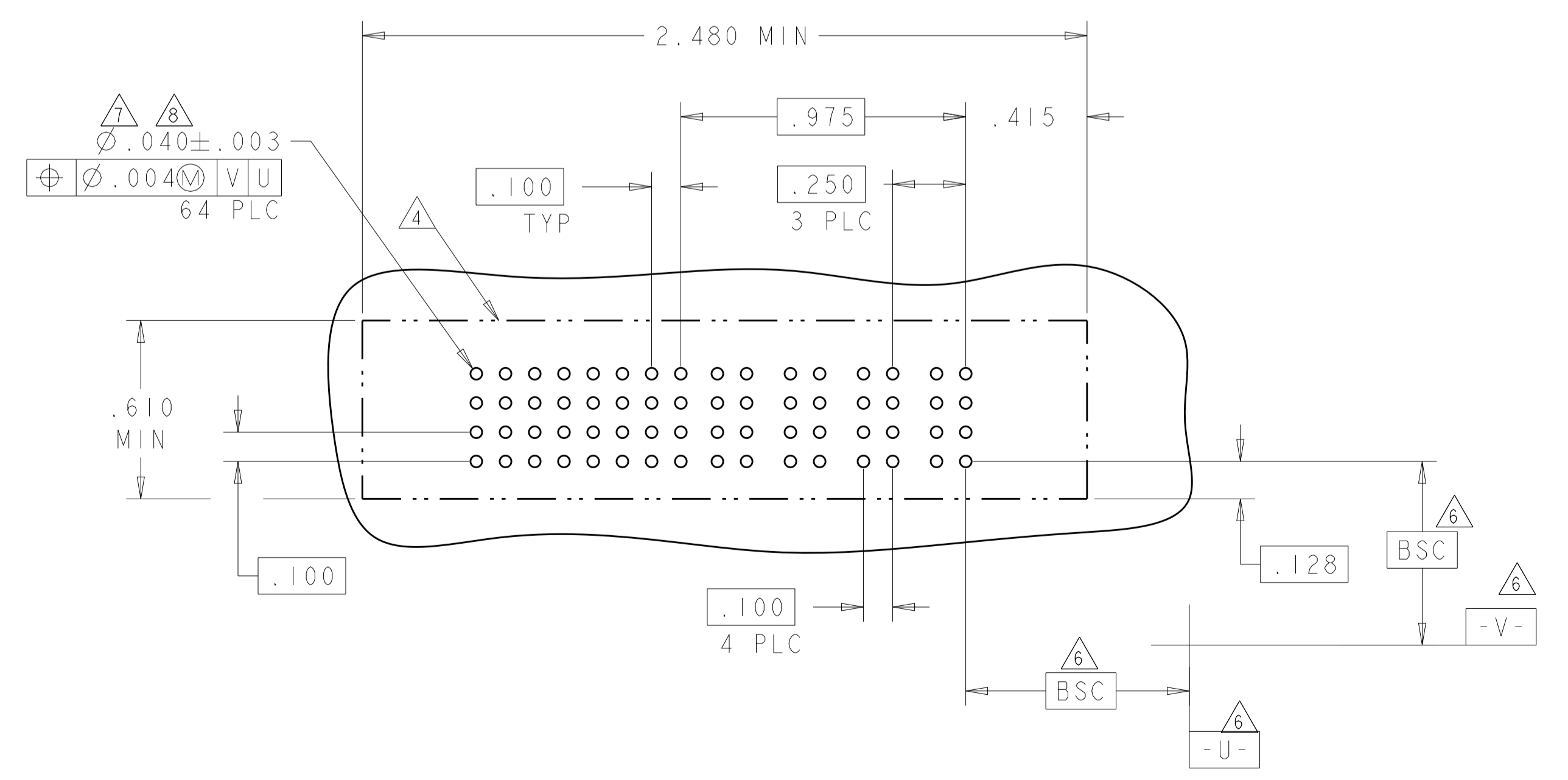
  

REVISIONS		DATE	BY	APPV
1	SEE SHEET 1			

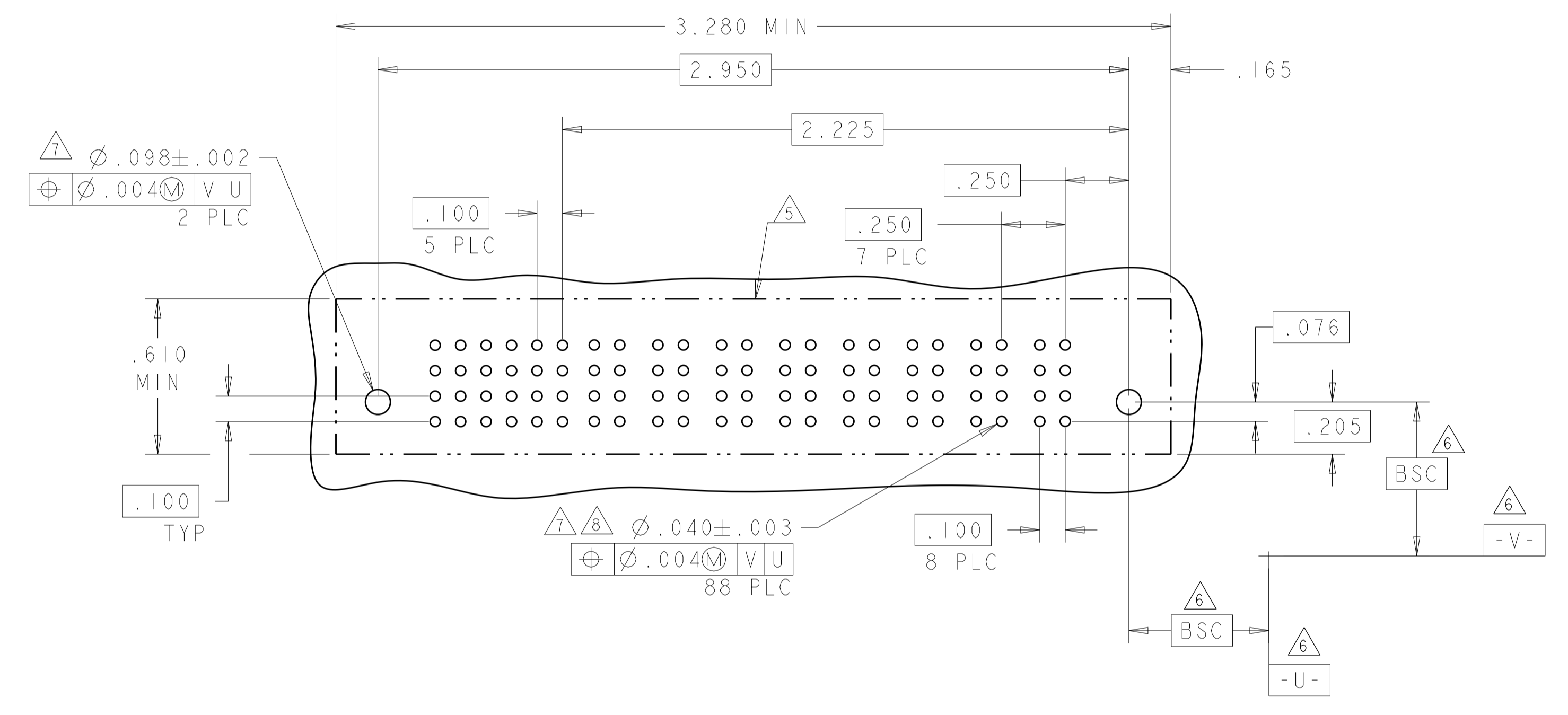
ASSY PART NUMBER	ROWS	SIGNAL					POWER				
		3	2	1	P6	P5	P4	P3	P2	P1	
1-6450542-6	D C B A	AP	AP	AP							
		AP	AP	AP	GS	GS	GS	GS	GS	GS	
		AP	AP	AP							
		AP	AP	AP							
6P + 12S											



ASSY PART NUMBER	ROWS	SIGNAL								POWER			
		8	7	6	5	4	3	2	1	P4	P3	P2	P1
1-6450542-7	D C B A	AP	AP	AP	AP	AP	AP	AP	AP				
		AP	AP	AP	AP	AP	AP	AP	AP	GS	GS	GS	GS
		AP	AP	AP	AP	AP	AP	AP	AP				
		AP	AP	AP	AP	AP	AP	AP	AP				
4P + 32S													



PART NUMBER	ROWS	SIGNAL						POWER							
		6	5	4	3	2	1	P8	P7	P6	P5	P4	P3	P2	P1
1-6450542-8	D C B A	AP	AP	AP	AP	AP	AP								
		AP	AP	AP	AP	AP	AP	GP	GP	GP	GP	GP	GP	GP	GP
		AP	AP	AP	AP	AP	AP								
		AP	AP	AP	AP	AP	AP								
8P + 24S															

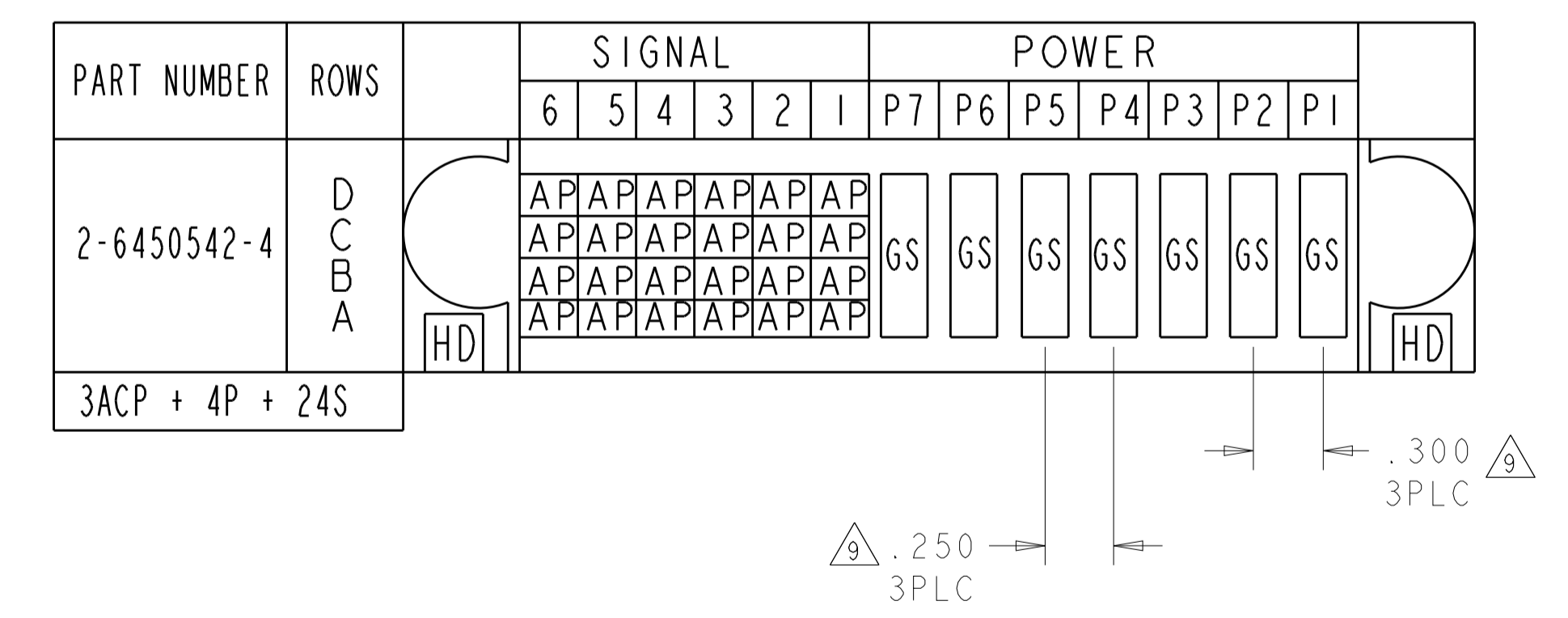
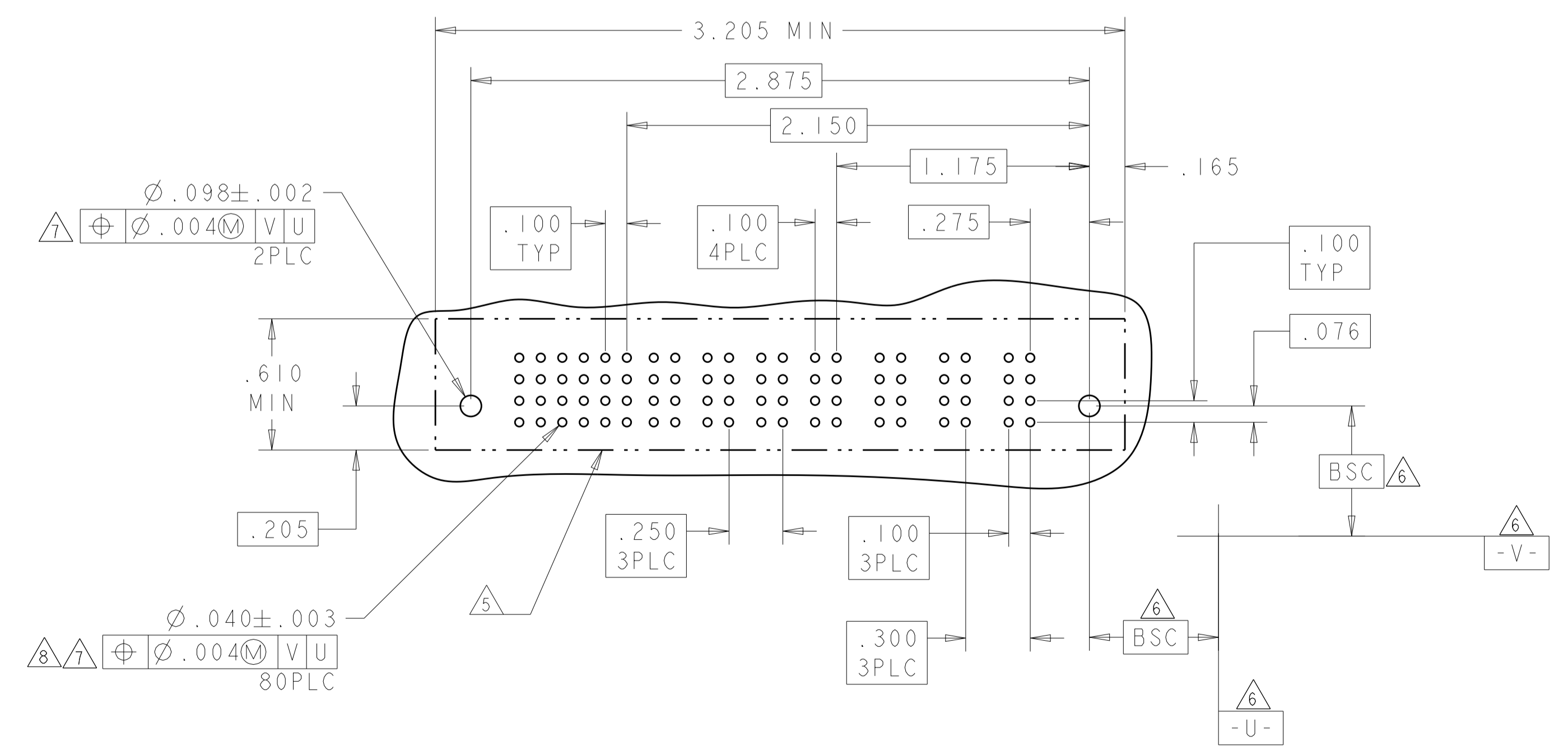
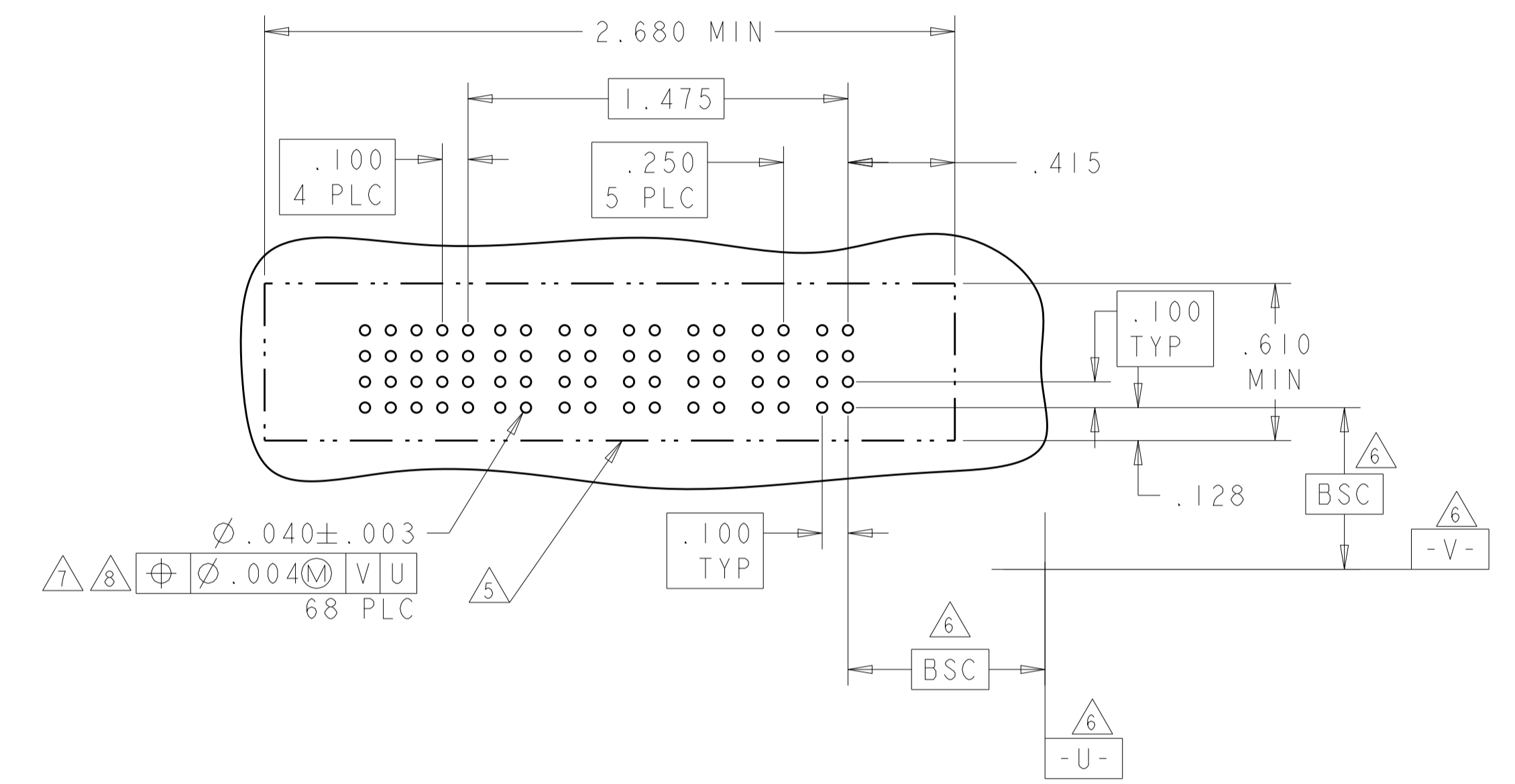
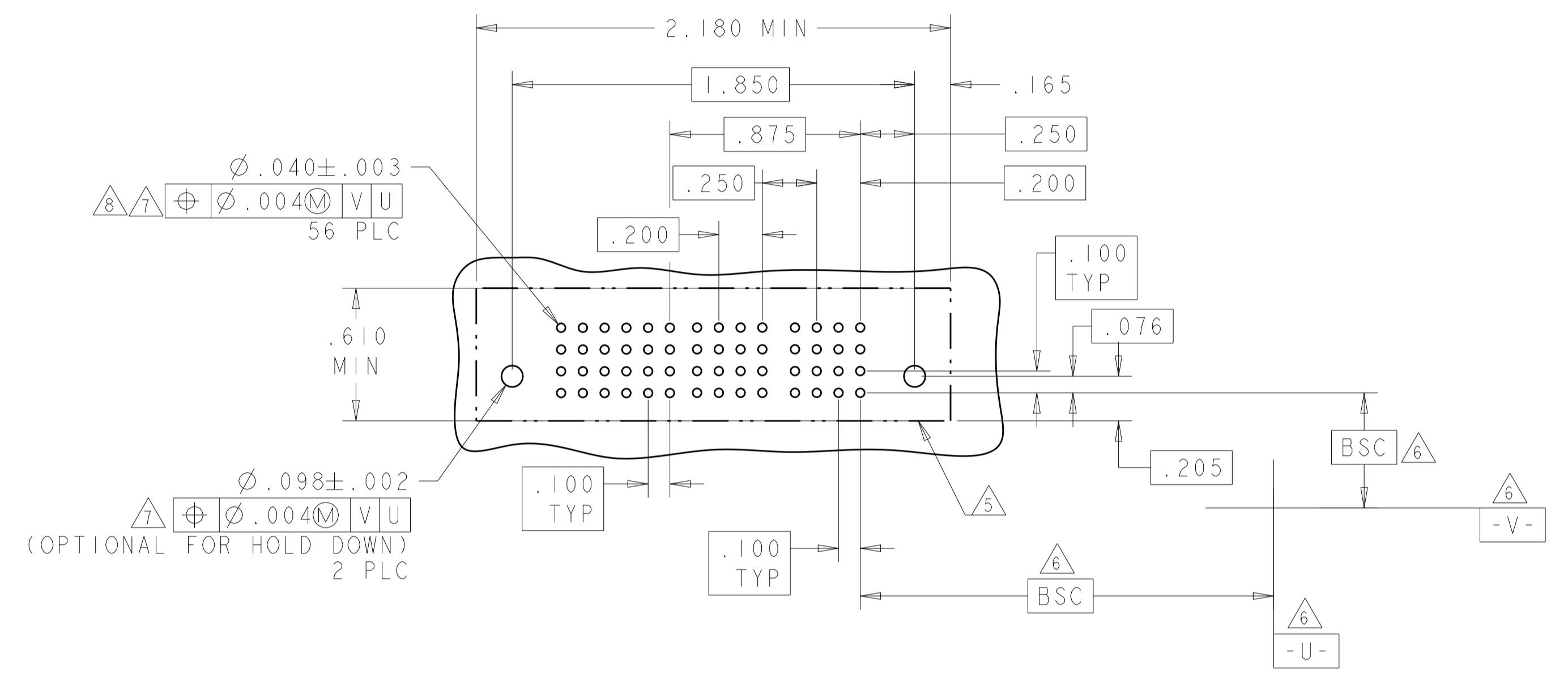
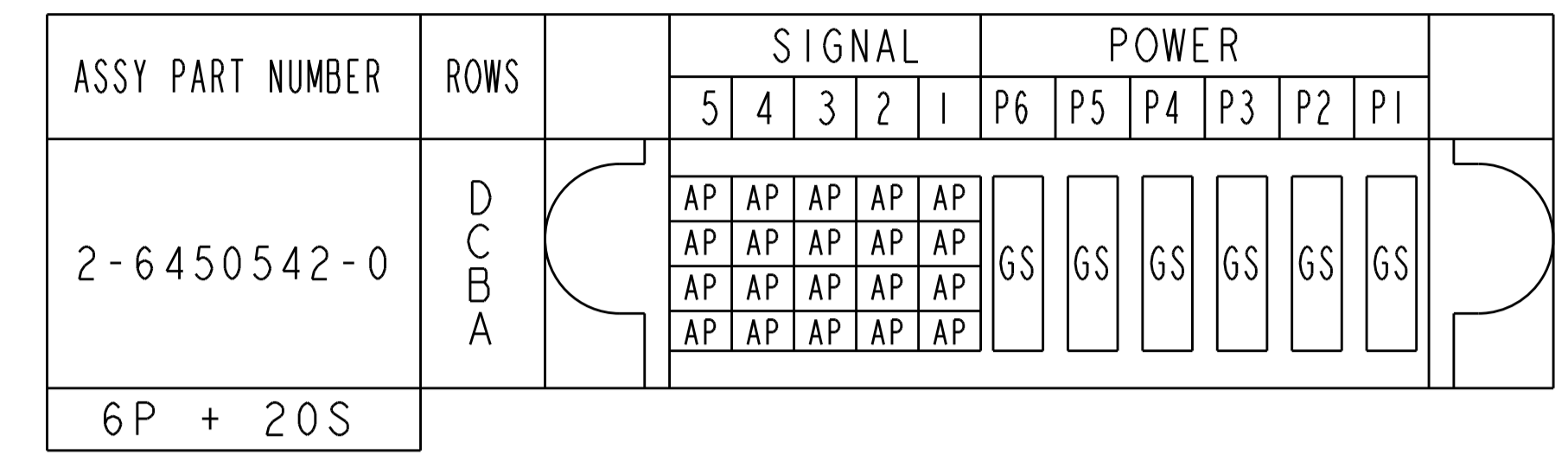
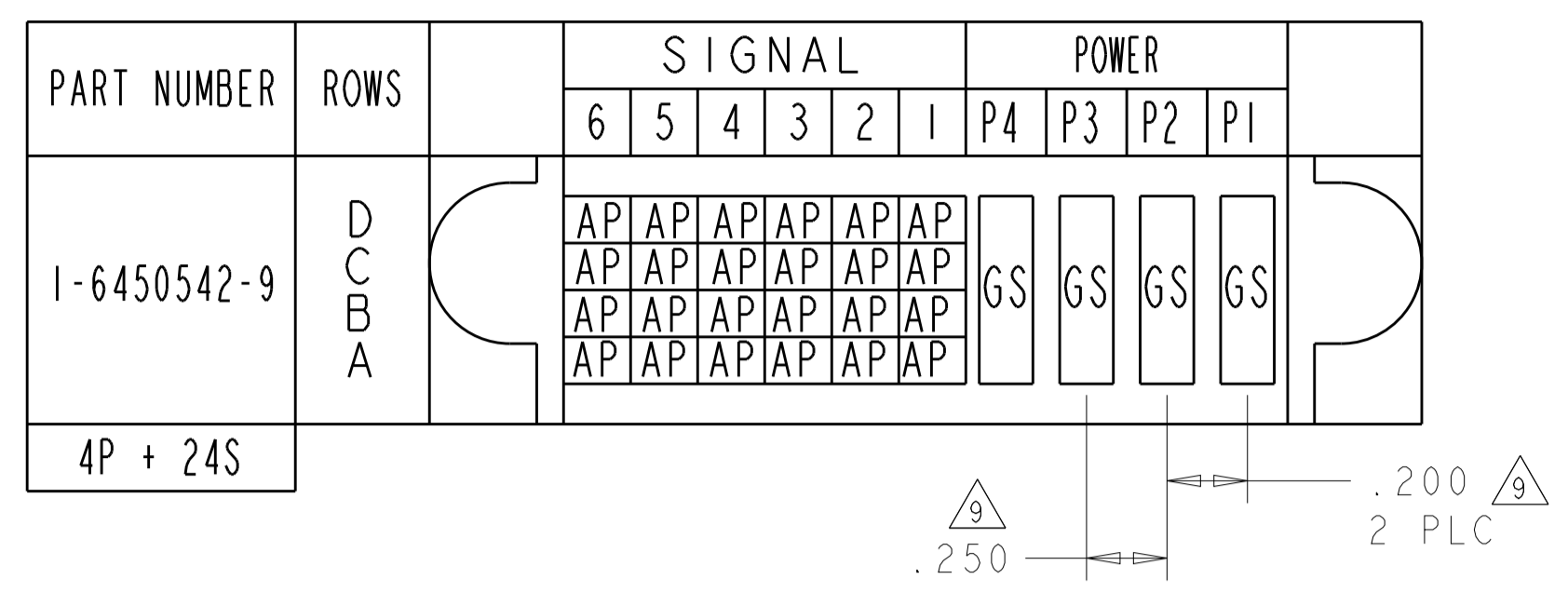


THIS DRAWING IS A CONTROLLED DOCUMENT.

DIMENSIONS: INCHES	TOLERANCES UNLESS OTHERWISE SPECIFIED:	DWN: R. GRZYBOWSKI 28FEB95	CHK: M. PERCHERKE 28FEB05
0 PLC ±.01	1 PLC ±.01	APVD: M. PERCHERKE	NAME: VERTICAL RECEPTACLE ASSEMBLY WITH GUIDES MULTI-BEAM XL
2 PLC ±.01	3 PLC ±.005	PRODUCT SPEC: 108-1973	SIZE: CAGE CODE DRAWING NO: 114-13038
4 PLC ±.0020	ANGLES ±.020	APPLICATION SPEC: 114-13038	RESTRICTED TO: A100779
MATERIAL: -	FINISH: -	WEIGHT: -	SCALE: 4:1
CUSTOMER DRAWING		SHEET 6 OF 10 REV H2	

4805 (3/11)

LOC	DIST	REV	DATE	BY	APPD
ES	00				
REVISIONS			DESCRIPTION	DATE	BY
			SEE SHEET 1		



THIS DRAWING IS A CONTROLLED DOCUMENT.

OWN: R. GRZYBOWSKI 28FEB95  
 CHK: M. PERCHERKE 28FEB05  
 APVD: M. PERCHERKE

TE Connectivity

NAME: VERTICAL RECEPTACLE ASSEMBLY WITH GUIDES MULTI-BEAM XL

PRODUCT SPEC: 108-1973  
 APPLICATION SPEC: 114-13038

SIZE: A1  
 CAGE CODE: 100779  
 DRAWING NO: 6450542

RESTRICTED TO: H2

SCALE: 4:1  
 SHEET: 7 OF 10



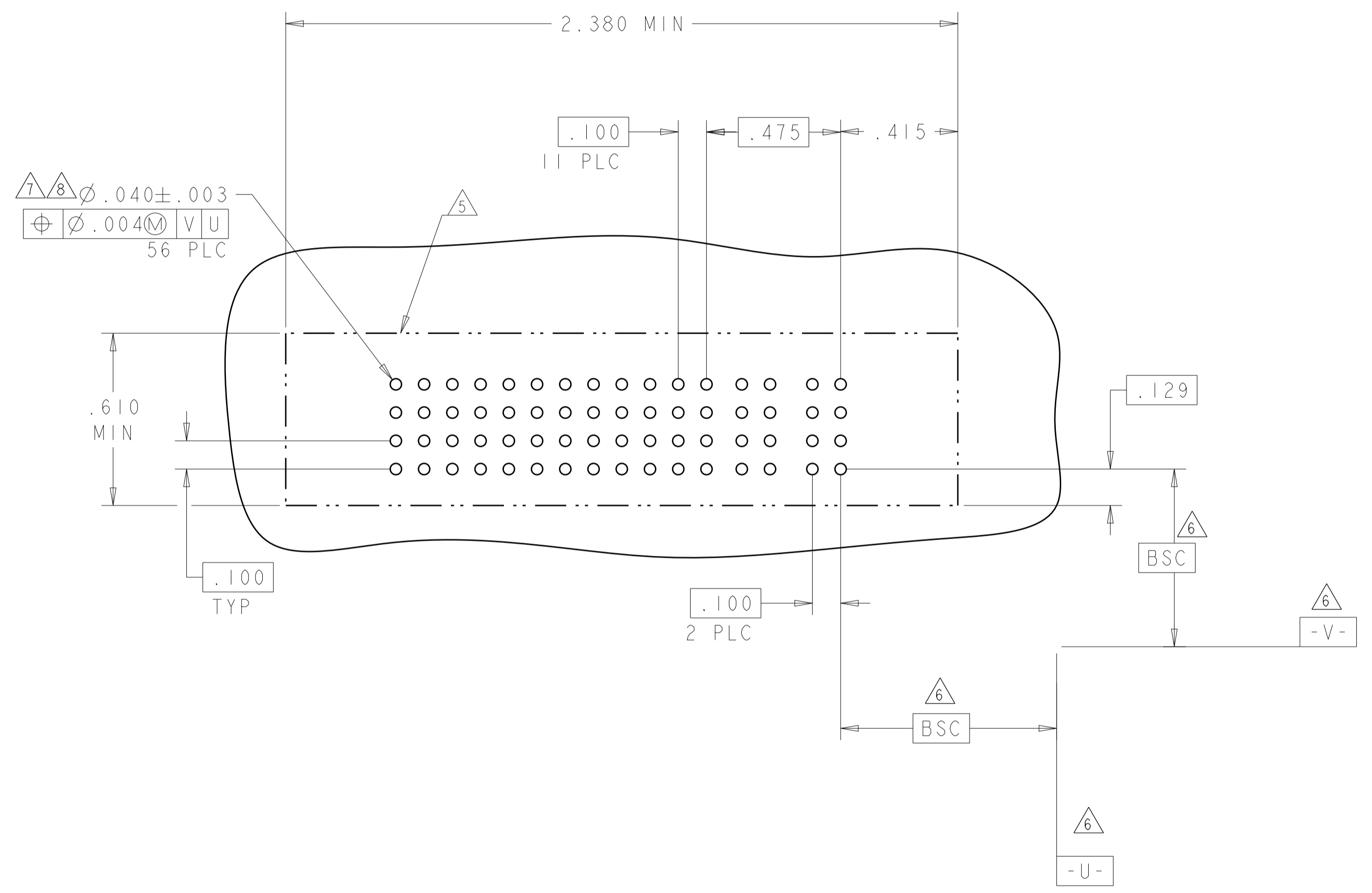
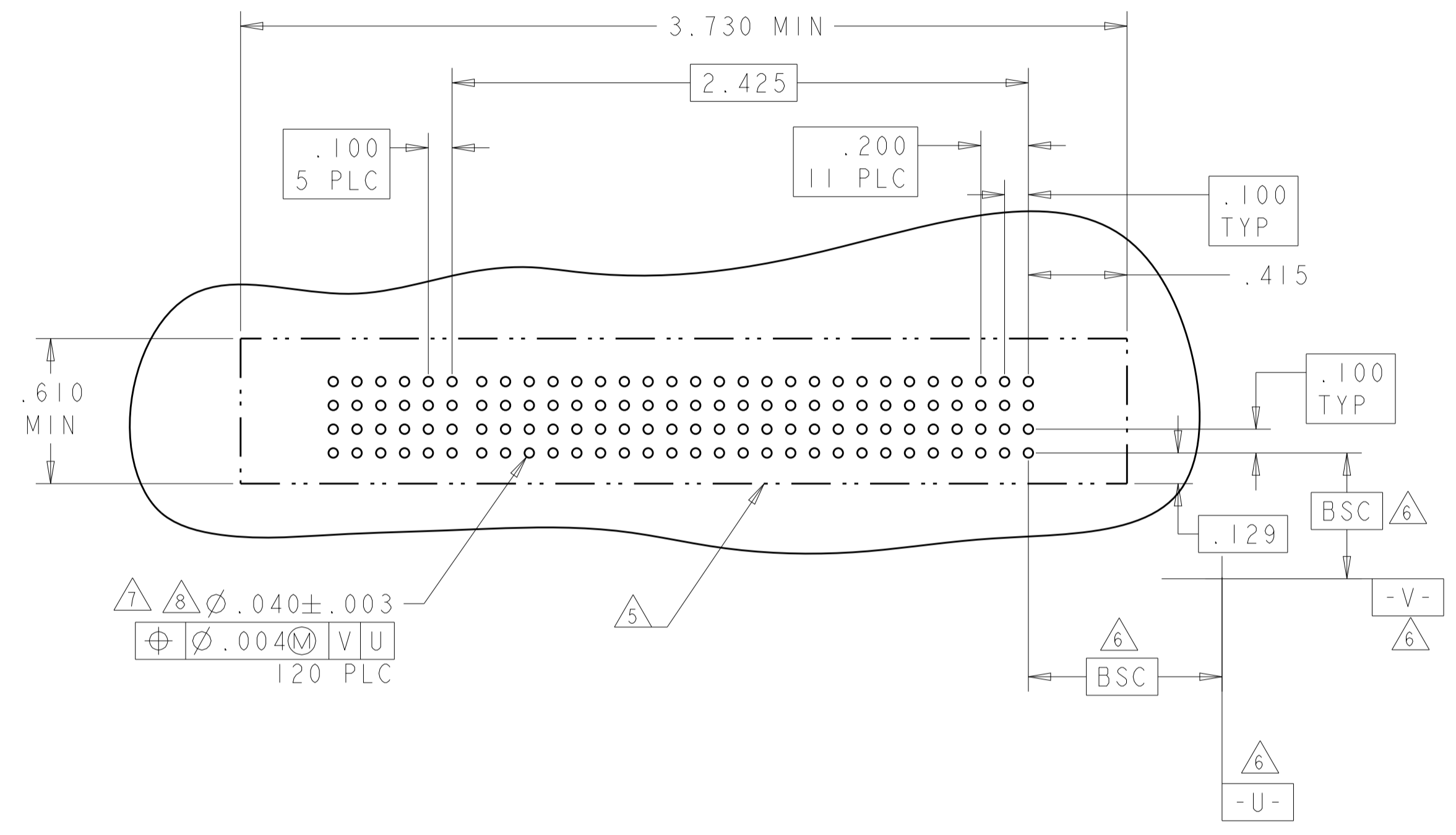
LOC	DIST	REVISIONS			
ES	00	REV	DATE	BY	APPV
		-	SEE SHEET 1	-	-

PART NUMBER	ROWS	SIGNAL						POWER										
		6	5	4	3	2	1	P12	P11	P10	P09	P08	P07	P06	P05	P04	P03	P02
2-6450542-5	D C B A	AP	AP	AP	AP	AP	AP	GS	GS	GS	GS	GS	GS	GS	GS	GS	GS	GS
		AP	AP	AP	AP	AP	AP	GS	GS	GS	GS	GS	GS	GS	GS	GS	GS	GS
		AP	AP	AP	AP	AP	AP	GS	GS	GS	GS	GS	GS	GS	GS	GS	GS	GS

12HDP + 24S

ASSY PART NUMBER	ROWS	SIGNAL										POWER					
		12	11	10	9	8	7	6	5	4	3	2	1	P2	P1		
1-6450542-4	D C B A	AP	AP	AP	AP	AP	AP	AP	AP	AP	AP	AP	AP	AP	AP	GS	GS
		AP	AP	AP	AP	AP	AP	AP	AP	AP	AP	AP	AP	AP	AP	GS	GS
		AP	AP	AP	AP	AP	AP	AP	AP	AP	AP	AP	AP	AP	AP	GS	GS

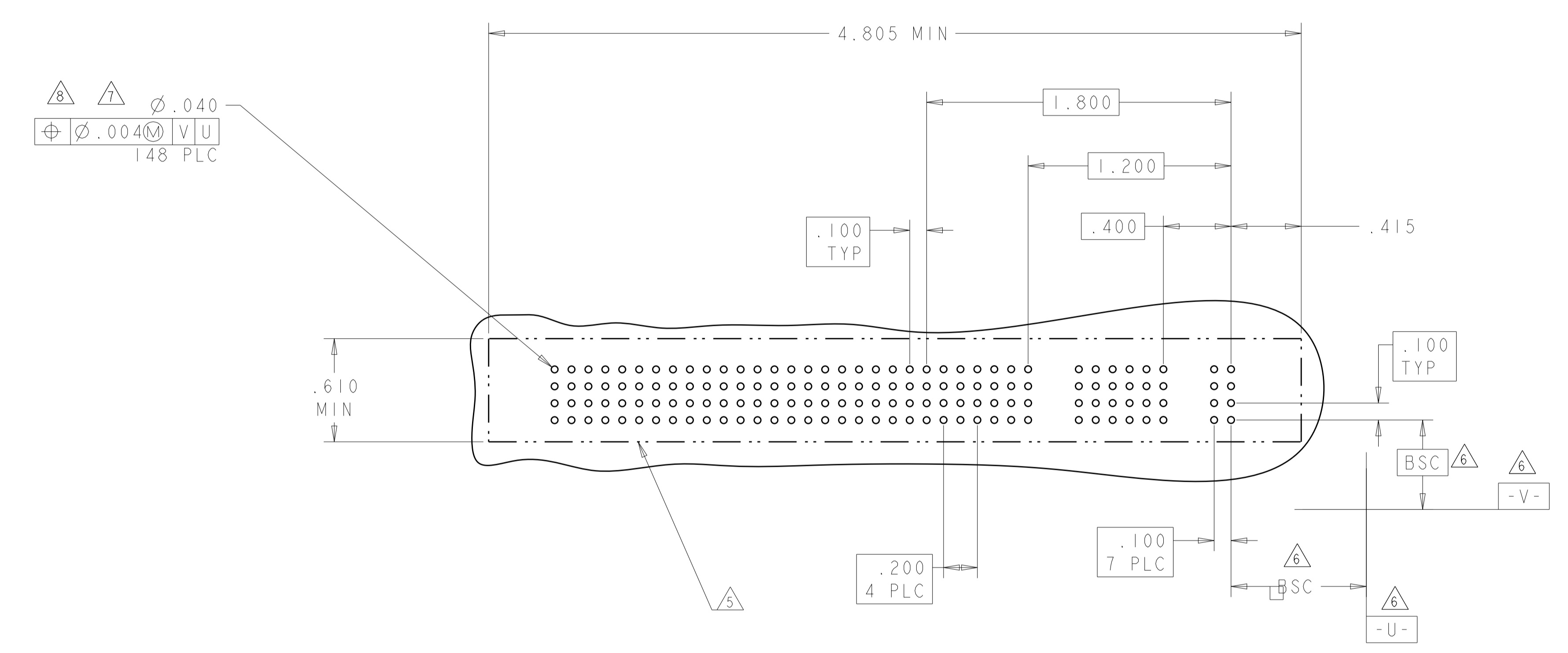
2P + 48S



THIS DRAWING IS A CONTROLLED DOCUMENT.		OWN: R. GRZYBOWSKI 28FEB95	 TE Connectivity
DIMENSIONS: INCHES		CHK: M. PERCHERKE 28FEB05	
TOLERANCES UNLESS OTHERWISE SPECIFIED:		APVD: M. PERCHERKE	NAME: VERTICAL RECEPTACLE ASSEMBLY WITH GUIDES MULTI-BEAM XL
0 PLC ±. 1 PLC ±.01 2 PLC ±.01 3 PLC ±.005 4 PLC ±.0020 ANGLES ±.2°		PRODUCT SPEC: 108-1973	SIZE: A1
MATERIAL: -		APPLICATION SPEC: 114-13038	CAGE CODE: 6450542
FINISH: -		WEIGHT: -	RESTRICTED TO: -
CUSTOMER DRAWING		SCALE: 4:1	SHEET 8 OF 10 REV H2

LOC		DIST		REVISIONS			
P	LTN	DESCRIPTION	DATE	DWN	APVD		
-	-	SEE SHEET 1	-	-	-		

PART NUMBER	ROWS	SIGNAL																		POWER													
		23	22	21	20	19	18	17	16	15	14	13	12	11	10	9	8	7	6	5	4	3	2	1	P9	P8	P7	P6	P5	P4	P3	P2	P1
2-6450542-7	D C B A	AP	AP	AP	AP	AP	AP	AP	AP	AP	AP	AP	AP	AP	AP	AP	AP	AP	AP				AP	AP	GS	GS	GS		GS	GS	GS		GP
		AP	AP	AP	AP	AP	AP	AP	AP	AP	AP	AP	AP	AP	AP	AP	AP	AP	AP				AP	AP									
		AP	AP	AP	AP	AP	AP	AP	AP	AP	AP	AP	AP	AP	AP	AP	AP	AP	AP				AP	AP									
		AP	AP	AP	AP	AP	AP	AP	AP	AP	AP	AP	AP	AP	AP	AP	AP	AP	AP				AP	AP									
9P + 92S																																	



THIS DRAWING IS A CONTROLLED DOCUMENT. DWN: R. GRZYBOWSKI 28FEB95  
 CHK: M. PERCHERKE 28FEB05

**STE** TE Connectivity

NAME: VERTICAL RECEPTACLE ASSEMBLY WITH GUIDES MULTI-BEAM XL

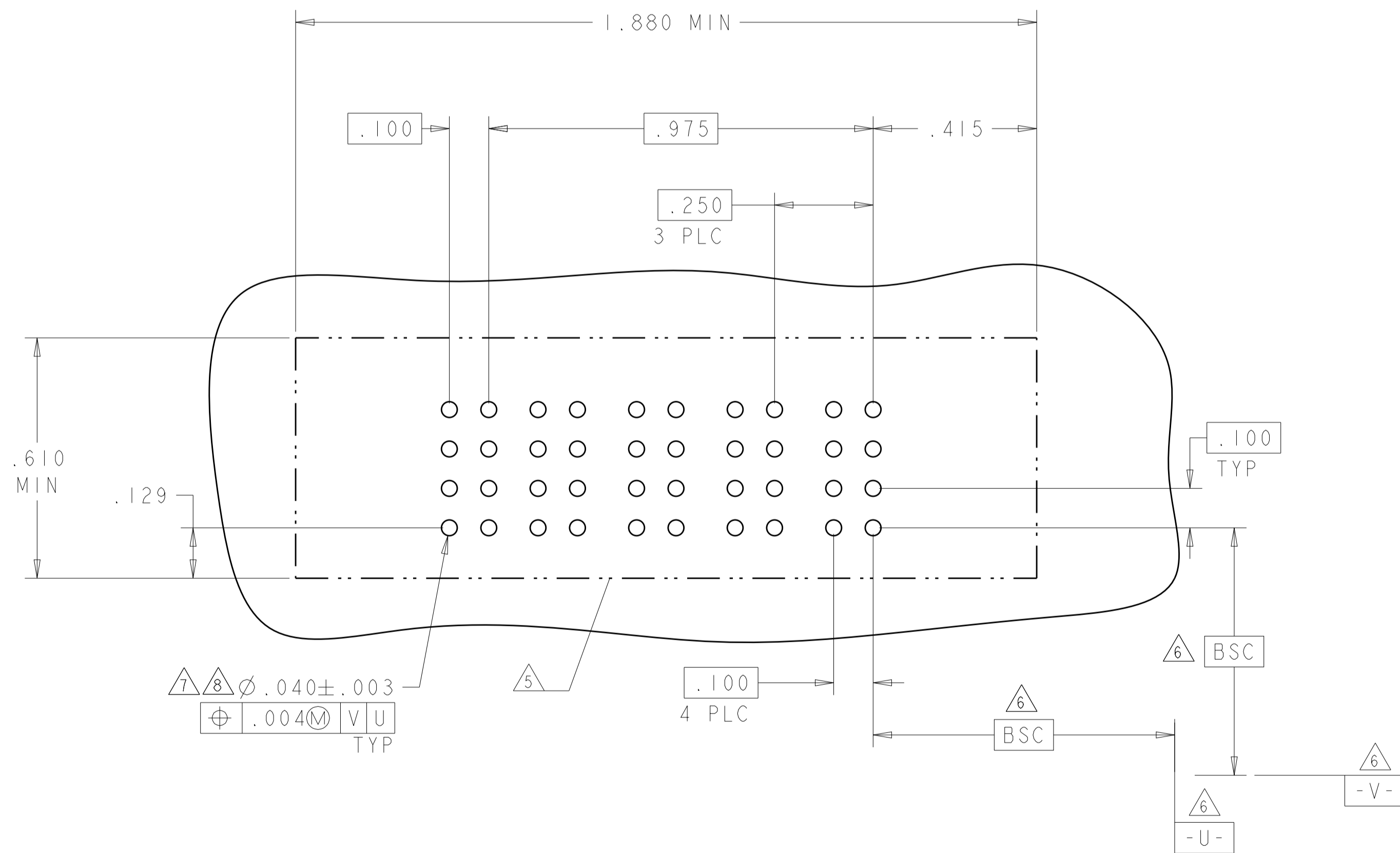
PRODUCT SPEC: 108-1973  
 APPLICATION SPEC: 114-13038

SIZE: A1 00779 C=6450542  
 SCALE: 4:1 SHEET 9 OF 10 REV: H2

MATERIAL: - FINISH: - WEIGHT: -  
 CUSTOMER DRAWING

LOC	DIST	REVISIONS			
P	LTH	DESCRIPTION	DATE	OWN	APVD
ES	00	SEE SHEET 1			

PART NUMBER	ROWS	SIGNAL				POWER			
		2	1	P4	P3	P2	P1		
2-6450542-9	D C B A	AP	AP	GP	GP	GP	GP		
		AP	AP						
		AP	AP						
		AP	AP						
4P + 8S									



THIS DRAWING IS A CONTROLLED DOCUMENT.		OWN R. GRZYBOWSKI CHK M. PERCHERKE APVD M. PERCHERKE	28FEB95 28FEB05	TE Connectivity <b>NAME</b> VERTICAL RECEPTACLE ASSEMBLY WITH GUIDES MULTI-BEAM XL
DIMENSIONS: INCHES	TOLERANCES UNLESS OTHERWISE SPECIFIED:	PRODUCT SPEC 108-1973 APPLICATION SPEC 114-13038 WEIGHT - CUSTOMER DRAWING		
0 PLC ± 1 PLC ±.01 2 PLC ±.01 3 PLC ±.005 4 PLC ±.0020 ANGLES ±.2°	.040 ± .003 .004 M V U TYP	.100 .975 .415 .250 3 PLC .100 TYP BSC BSC -U- -V-	SIZE A100779 CAGE CODE C=6450542 SCALE 4:1 SHEET 10 OF 10 REV H2	RESTRICTED TO