



Chipsmall Limited consists of a professional team with an average of over 10 year of expertise in the distribution of electronic components. Based in Hongkong, we have already established firm and mutual-benefit business relationships with customers from,Europe,America and south Asia,supplying obsolete and hard-to-find components to meet their specific needs.

With the principle of "Quality Parts,Customers Priority,Honest Operation,and Considerate Service",our business mainly focus on the distribution of electronic components. Line cards we deal with include Microchip,ALPS,ROHM,Xilinx,Pulse,ON,Everlight and Freescale. Main products comprise IC,Modules,Potentiometer,IC Socket,Relay,Connector.Our parts cover such applications as commercial,industrial, and automotives areas.

We are looking forward to setting up business relationship with you and hope to provide you with the best service and solution. Let us make a better world for our industry!



## Contact us

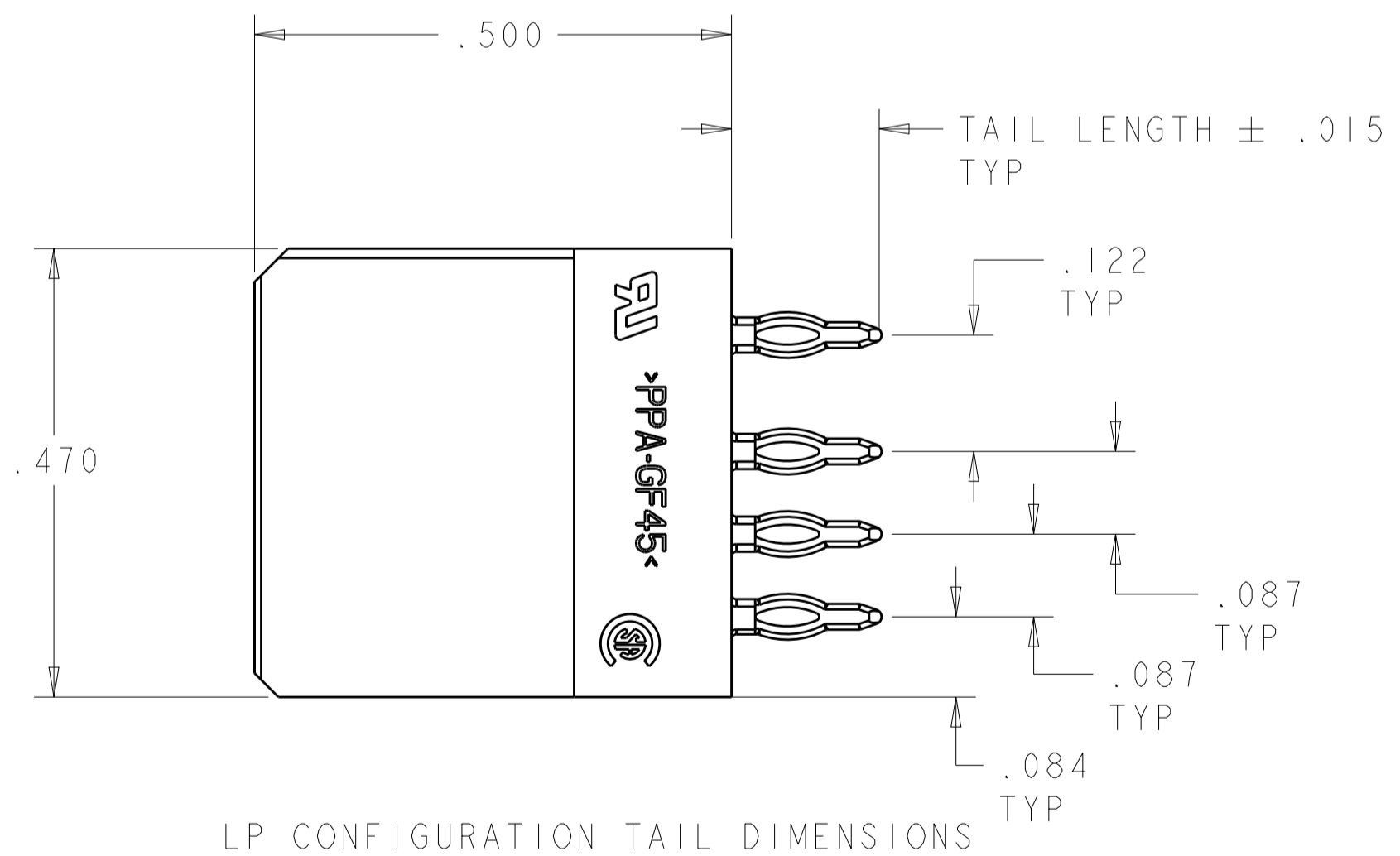
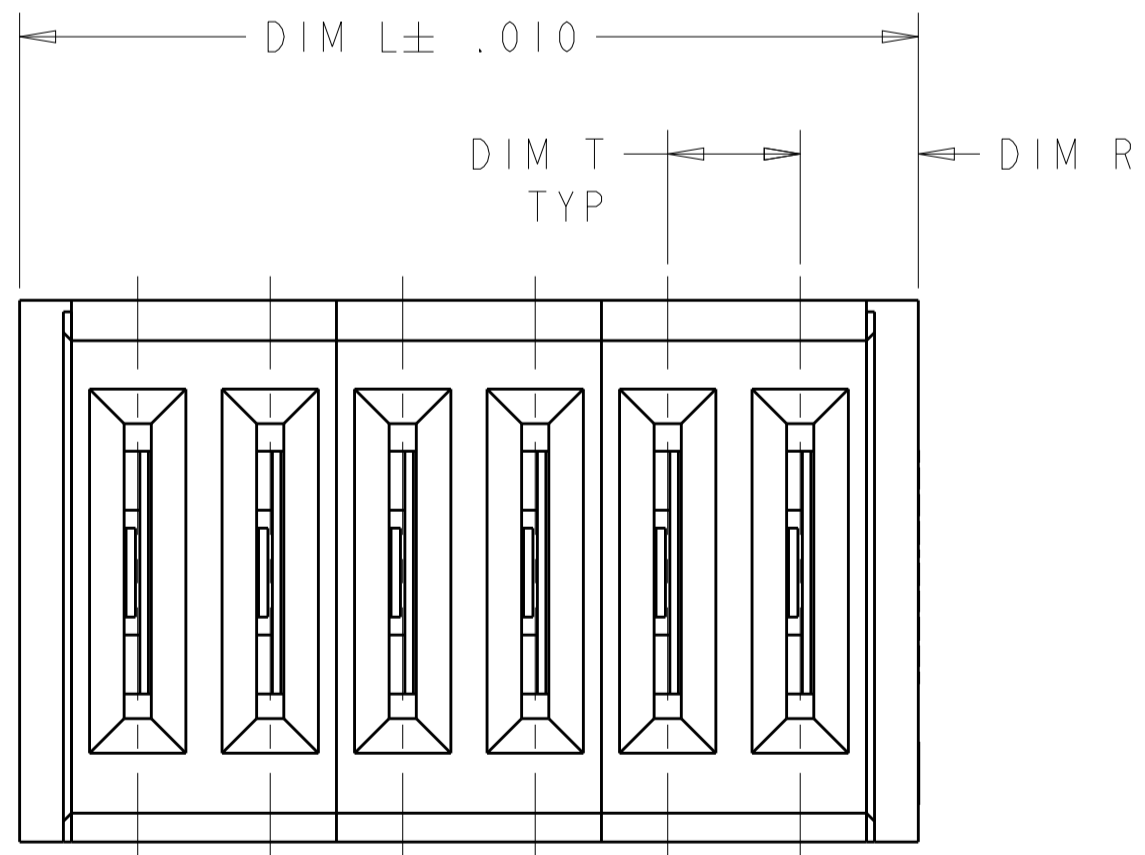
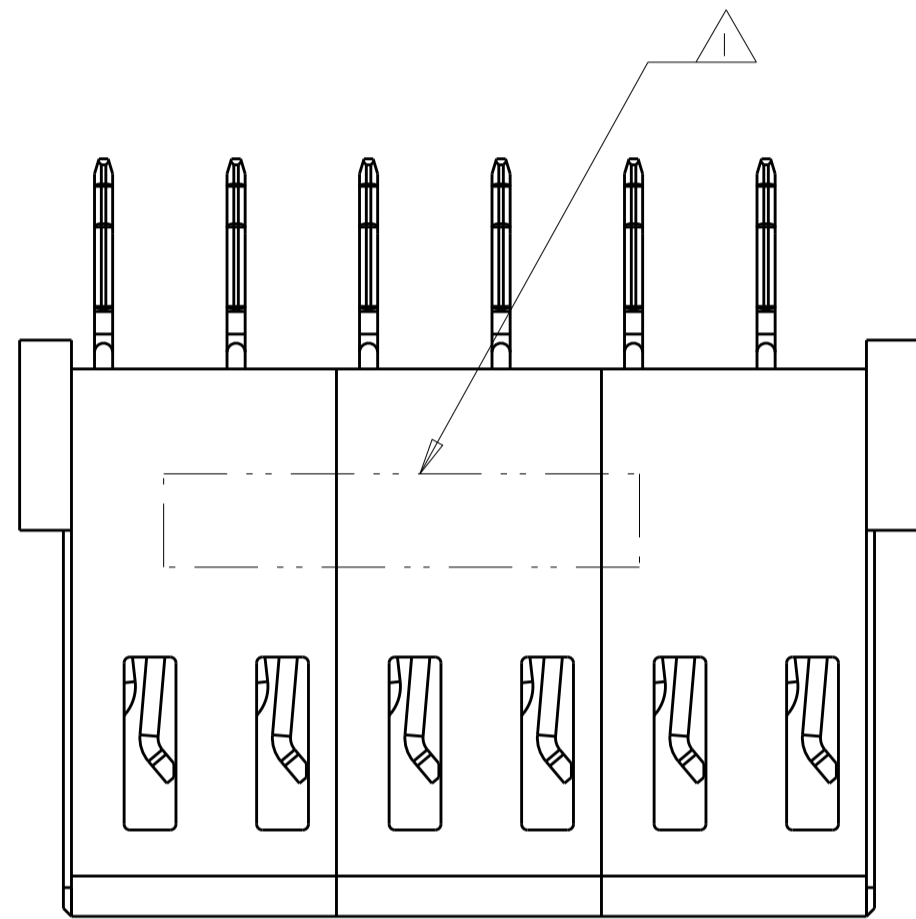
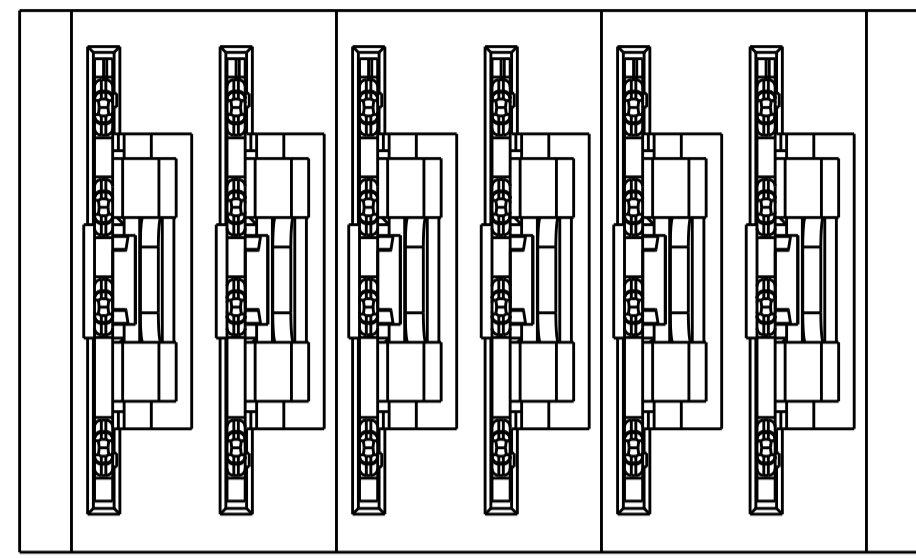
Tel: +86-755-8981 8866 Fax: +86-755-8427 6832

Email & Skype: info@chipsmall.com Web: www.chipsmall.com

Address: A1208, Overseas Decoration Building, #122 Zhenhua RD., Futian, Shenzhen, China



LOC	DIST	REVISIONS					
		P	LTN	DESCRIPTION	DATE	DWN	APVD
ES	00						
		D7		ADDED NEW DASH NUMBER	20MAY2013	CZ	SZ
		E		ADDED NEW DASH NUMBER 2-2	21FEB2015	CZ	SZ
		E1		ADD NEW DASH NUMBER 2-3	20MAR2015	CZ	SZ
		E2		REV PER ECO-17-002972	24FEB2017	WY	SZ



LP CONFIGURATION TAIL DIMENSIONS

- 1 "AMP" PART NUMBER AND DATE CODE TO BE MARKED IN AREA SHOWN. PARTS 2.00 OR LESS MAYBE MARKED ON BOTH SIDES.
- 2 MATERIAL: HOUSING - GLASS FILLED HIGH TEMP THERMO PLASTIC, UL94 V-0  
POWER CONTACT - HIGH CONDUCTIVITY COPPER ALLOY
- 3 CONTACT PLATING: NOBLE METAL PLATING ON CONTACT FUNCTIONAL AREA OF POWER AND SIGNAL CONTACTS.
- 4 MECHANICAL CONNECTOR KEEP OUT ZONE
- 5 DATUM AND BASIC DIMENSIONS ESTABLISHED BY CUSTOMER
- 6 PCB - ALL HOLE DIMENSIONS ARE FINISHED HOLE SIZES
- 7 PCB - .0453±.0010 DRILLED HOLES. PLATED WITH .0003 MIN Sn OVER .001 TO .003 Cu PLATING TO ACHIEVE A .040 DIA. HOLE
- 8 FOR PART NUMBER 6450869-4,6450869-5,6450869-6,6450869-7 PLEASE REFER TO SHEET 2.
- 9 VARIABLE DIMENSIONS PLEASE REFER TO TABLE.
- 10 PLEASE REFER TO PARTS VIEW FOR DETAIL DIMENTIONS.

-	-	.1025	.115	.435	3LP	2-6450869-3
-	-	.1025	.115	.320	2LP	2-6450869-2
-	-	-	-	.540	2P	1-6450869-7
-	-	-	-	2.820	2HDP + 3LP + 40S + 4LP + 2HDP	1-6450869-6
-	-	-	-	1.370	1LP + 40S + 1LP	1-6450869-5
-	-	-	-	2.820	2ACP+ 1LP + 32S + 3HDP + 1LP + 1HDP	1-6450869-4
-	-	-	-	.400	2P	1-6450869-3
-	-	-	-	-	8P	6450869-8
-	-	.170	.200	2.715	12P	6450869-7
4.070	.120	1.295	.200	5.090	44S + 14P + 40S	6450869-6
-	1.595	.345	-	2.015	4P + 16S	6450869-5
-	.120	.795	.200	1.340	24S + 2P	6450869-4
-	-	-	-	-	4S + 17HDP + 8S	6450869-3
-	-	-	-	-	8S + 27P + 8S	6450869-2
-	-	.1025	.115	.780	6 LP	6450869-1
S	W	R	T	L	DESCRIPTION	PART NUMBER

THIS DRAWING IS A CONTROLLED DOCUMENT. DWN: H.LIU 30APR2008  
 CHK: S.ZHAO 30APR2008

DIMENSIONS: INCHES  
 TOLERANCES UNLESS OTHERWISE SPECIFIED:  
 0 PLC ±.  
 1 PLC ±.01  
 2 PLC ±.01  
 3 PLC ±.005  
 4 PLC ±.0020  
 ANGLES ±.020

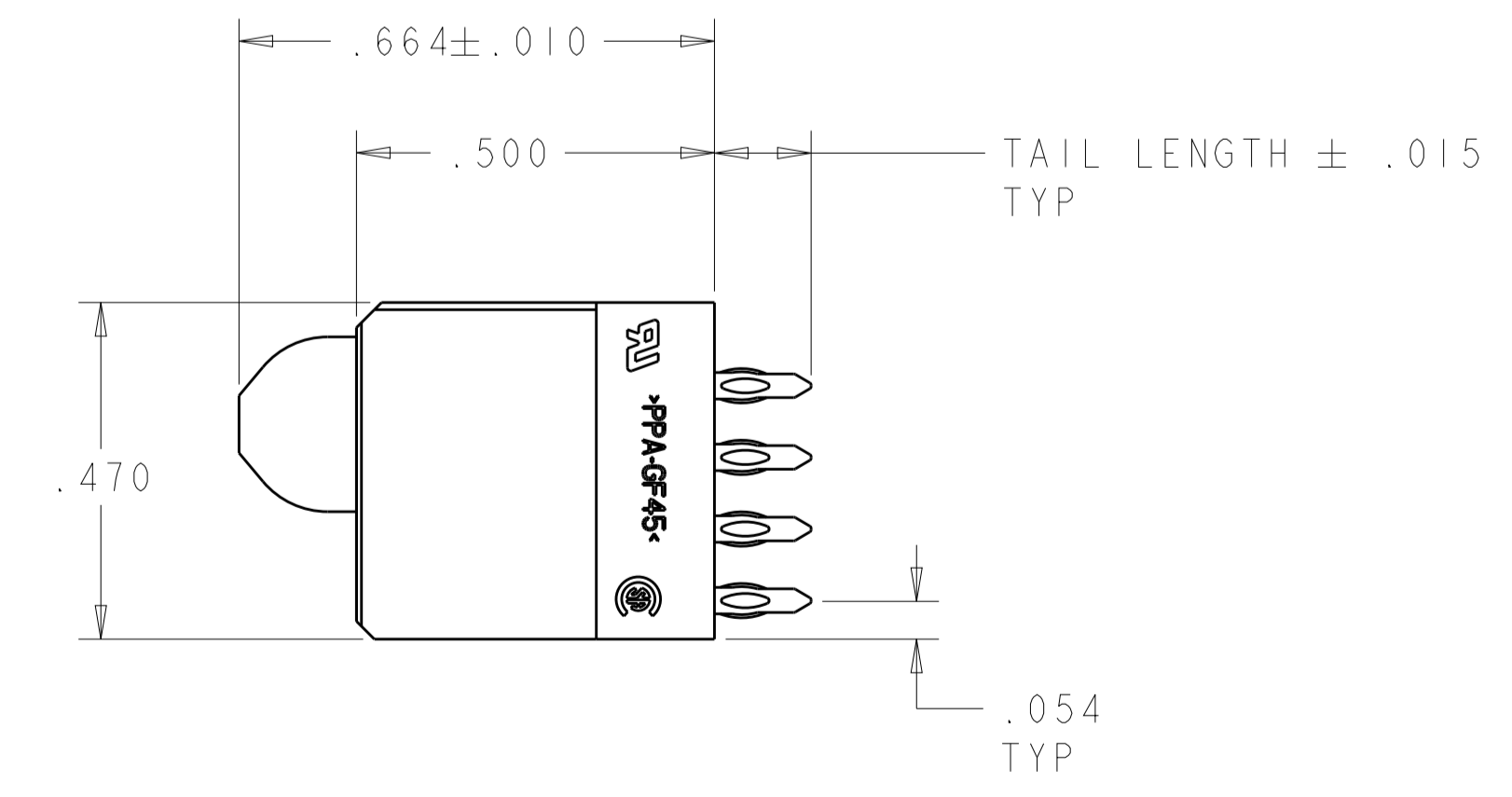
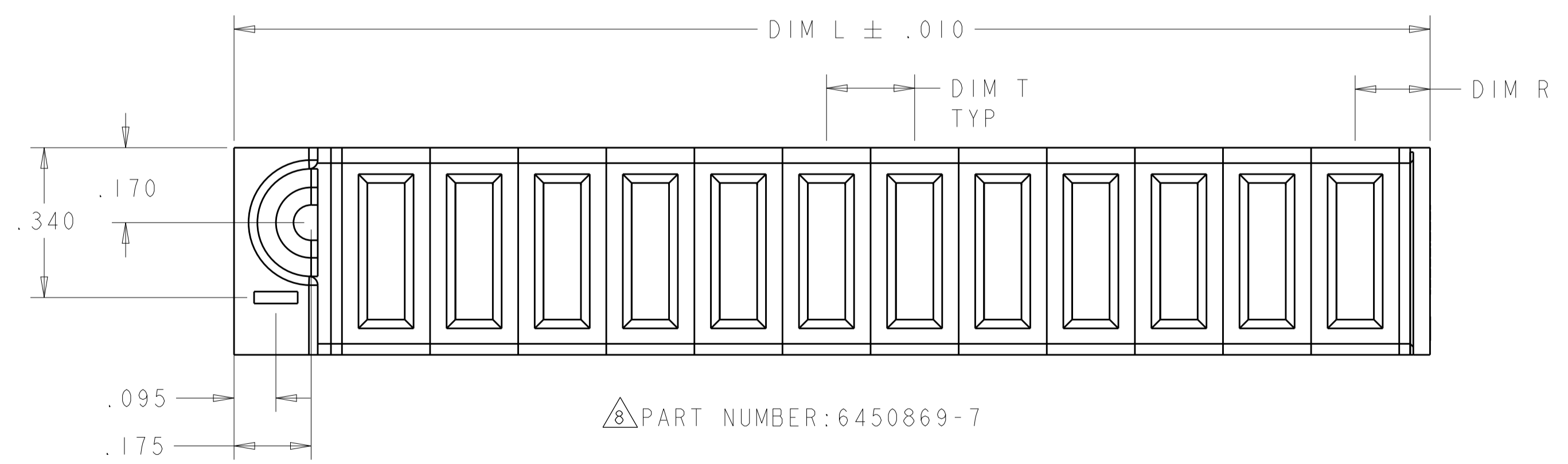
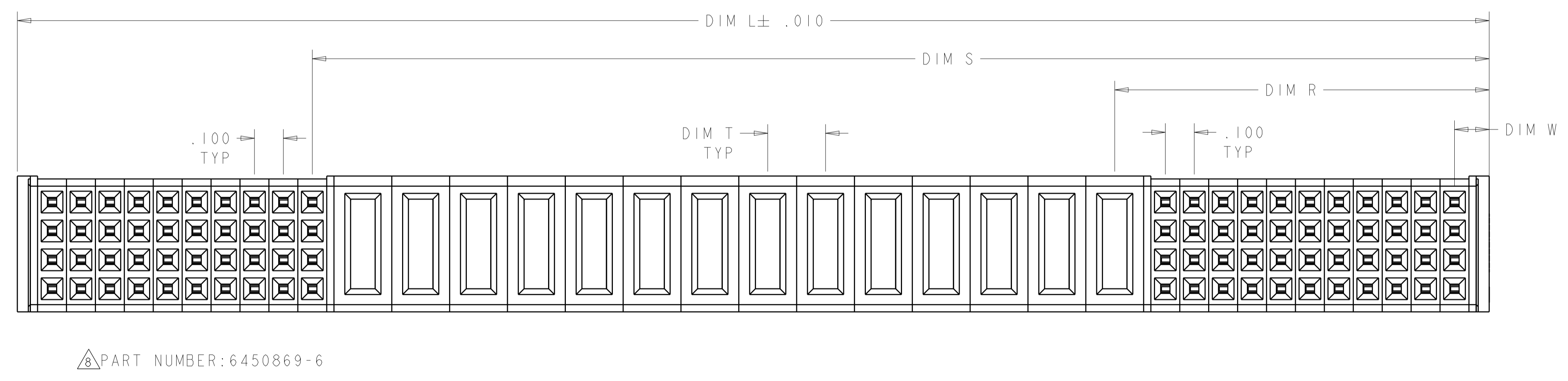
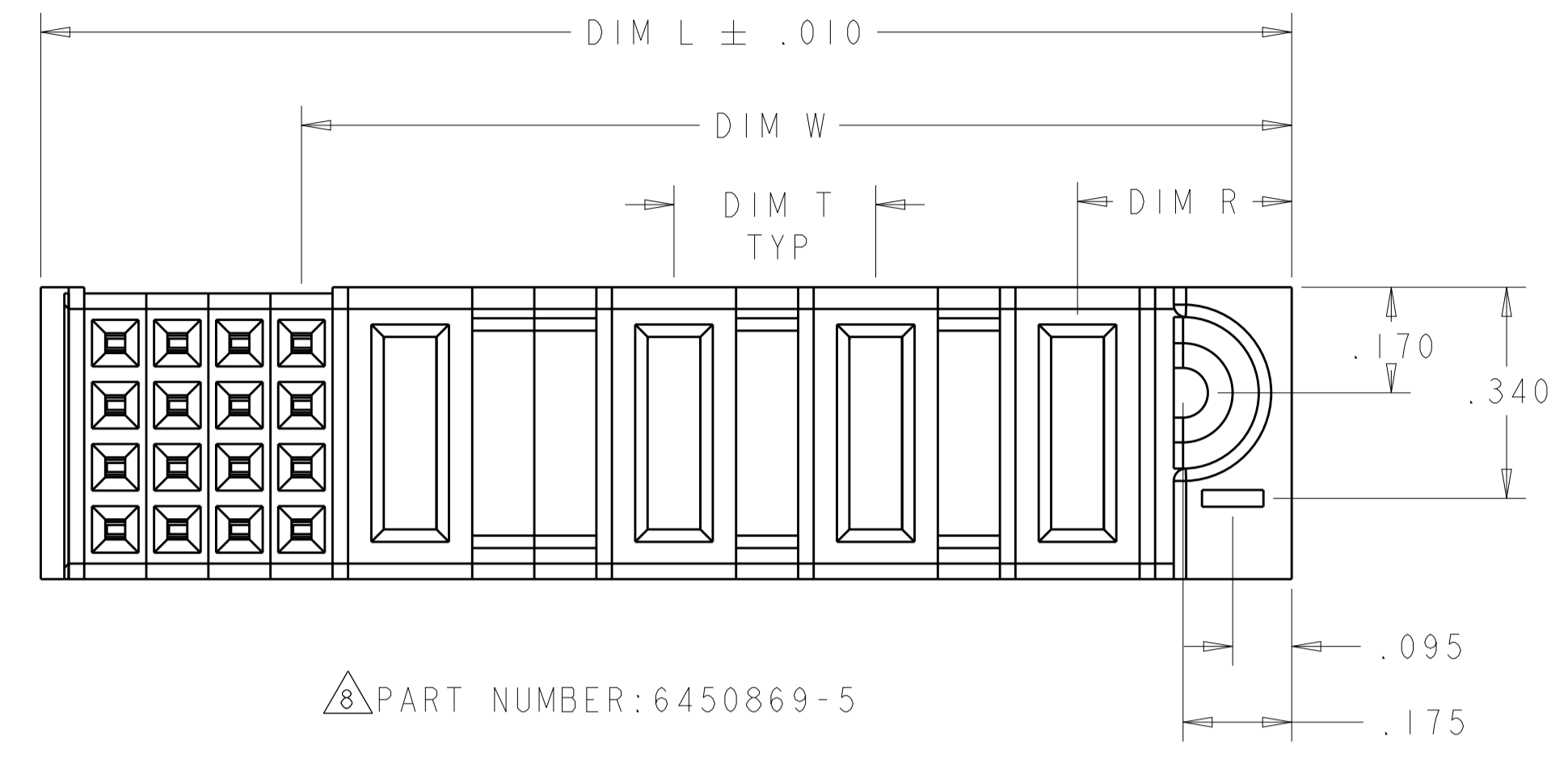
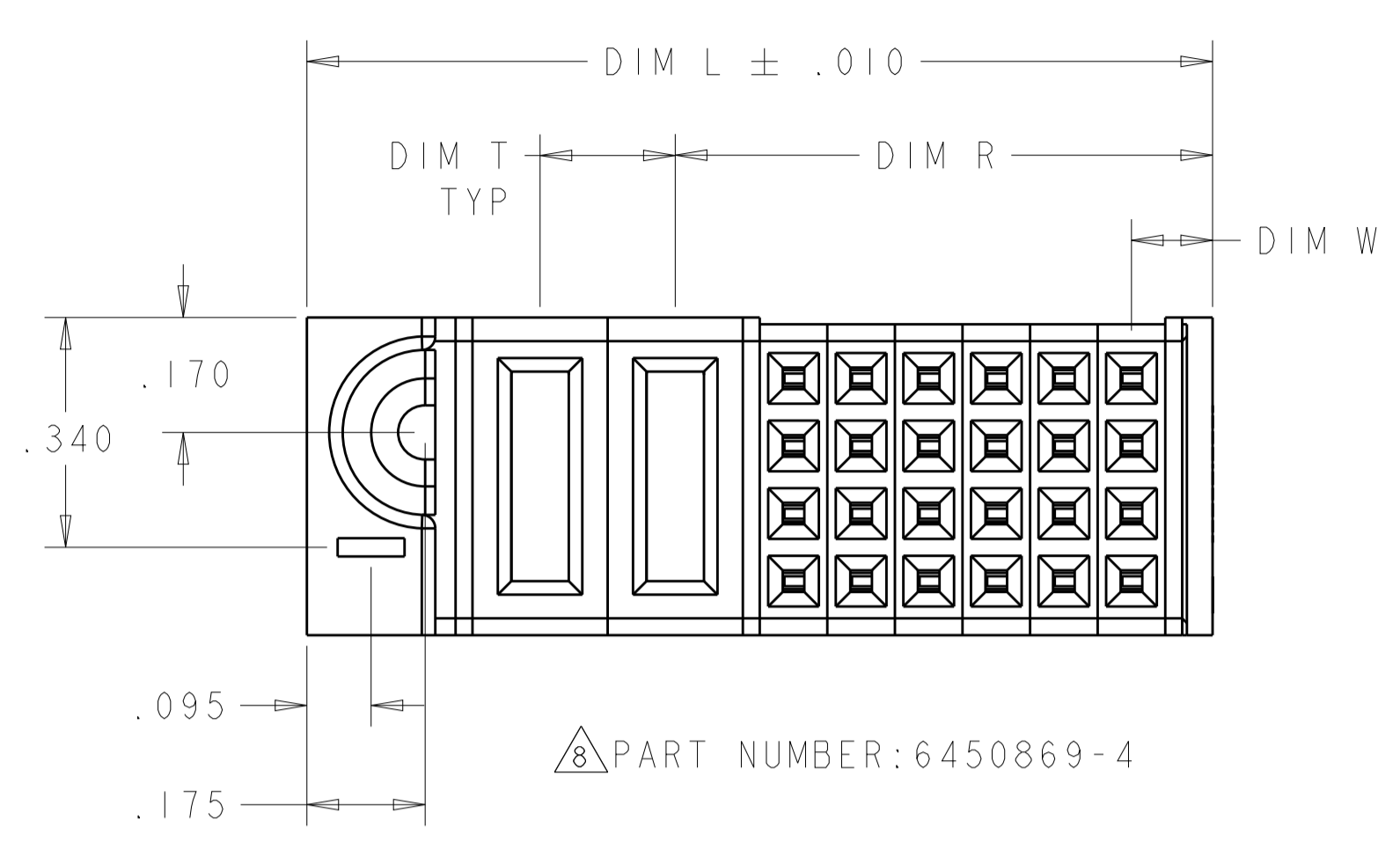
MATERIAL: FINISH:

APVD: S. YAO  
 PRODUCT SPEC: 108-2292  
 APPLICATION SPEC: 114-13038  
 WEIGHT: -  
 CUSTOMER DRAWING

NAME: VERTICAL RECEPTACLE ASSEMBLY NO GUIDES MULTI-BEAM XLE  
 SIZE: A1  
 CAGE CODE: 6450869  
 SCALE: 4:1 SHEET 1 OF 10 REV: E2

**STE** TE Connectivity

LOC		DIST		REVISIONS			
ES	00	P	LTN	DESCRIPTION	DATE	DWN	APVD
-	-	-	-	SEE SHEET 1	-	-	-



THIS DRAWING IS A CONTROLLED DOCUMENT.		DWN: H. LIU 30APR2008	<b>STE</b> TE Connectivity
DIMENSIONS: INCHES		CHK: S. ZHAO 30APR2008	
TOLERANCES UNLESS OTHERWISE SPECIFIED:		APVD: S. YAO	NAME: VERTICAL RECEPTACLE ASSEMBLY NO GUIDES MULTI-BEAM XLE
0 PLC ± .	1 PLC ± .01	PRODUCT SPEC: 108-2292	SIZE: A1
2 PLC ± .01	3 PLC ± .005	APPLICATION SPEC: 114-13038	CAGE CODE: 6450869
4 PLC ± .0020	ANGLES ± .02°	WEIGHT: -	RESTRICTED TO: -
MATERIAL: -	FINISH: -	CUSTOMER DRAWING	SCALE: 4:1 SHEET 2 OF 10 REV: E2

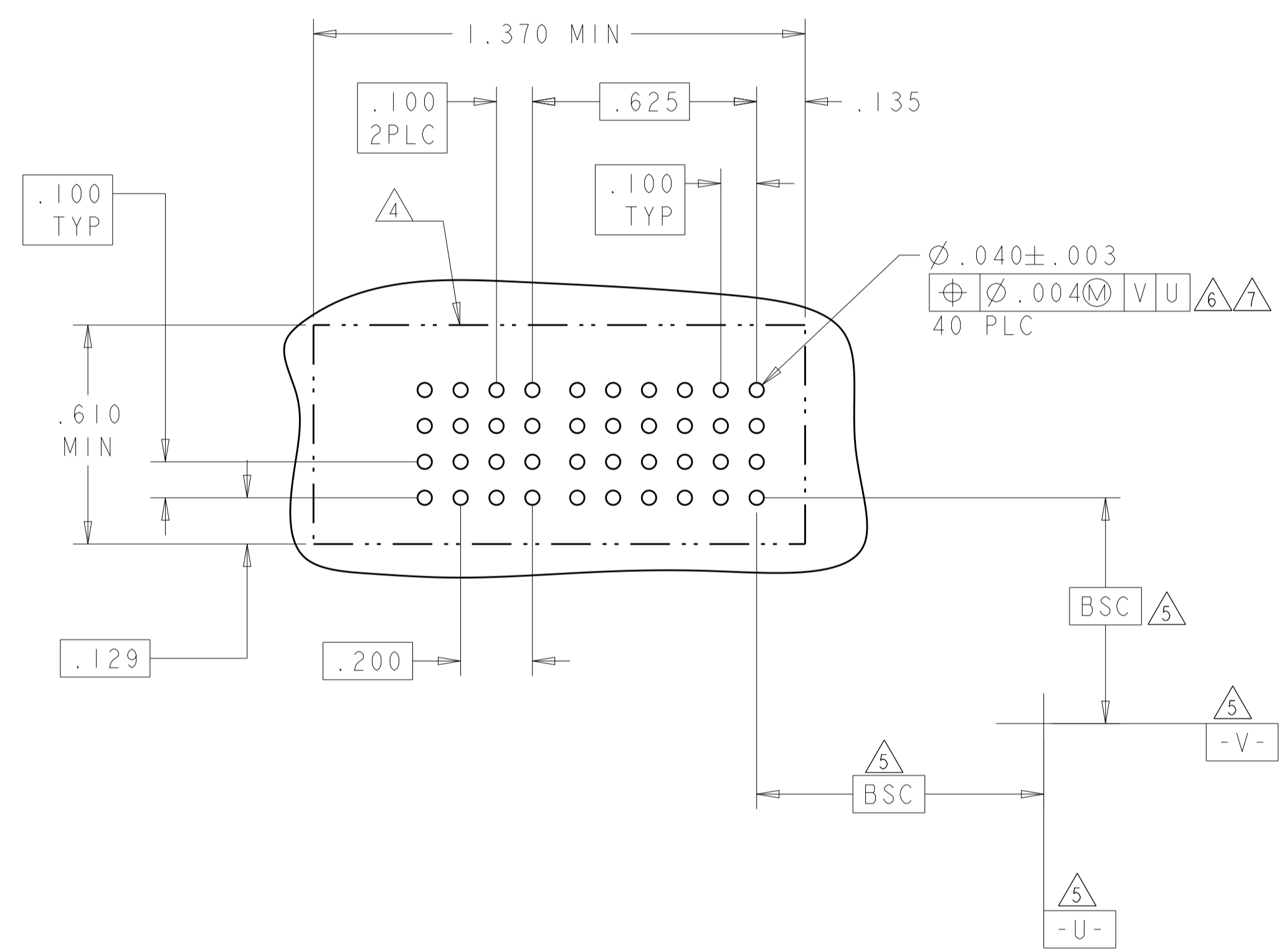
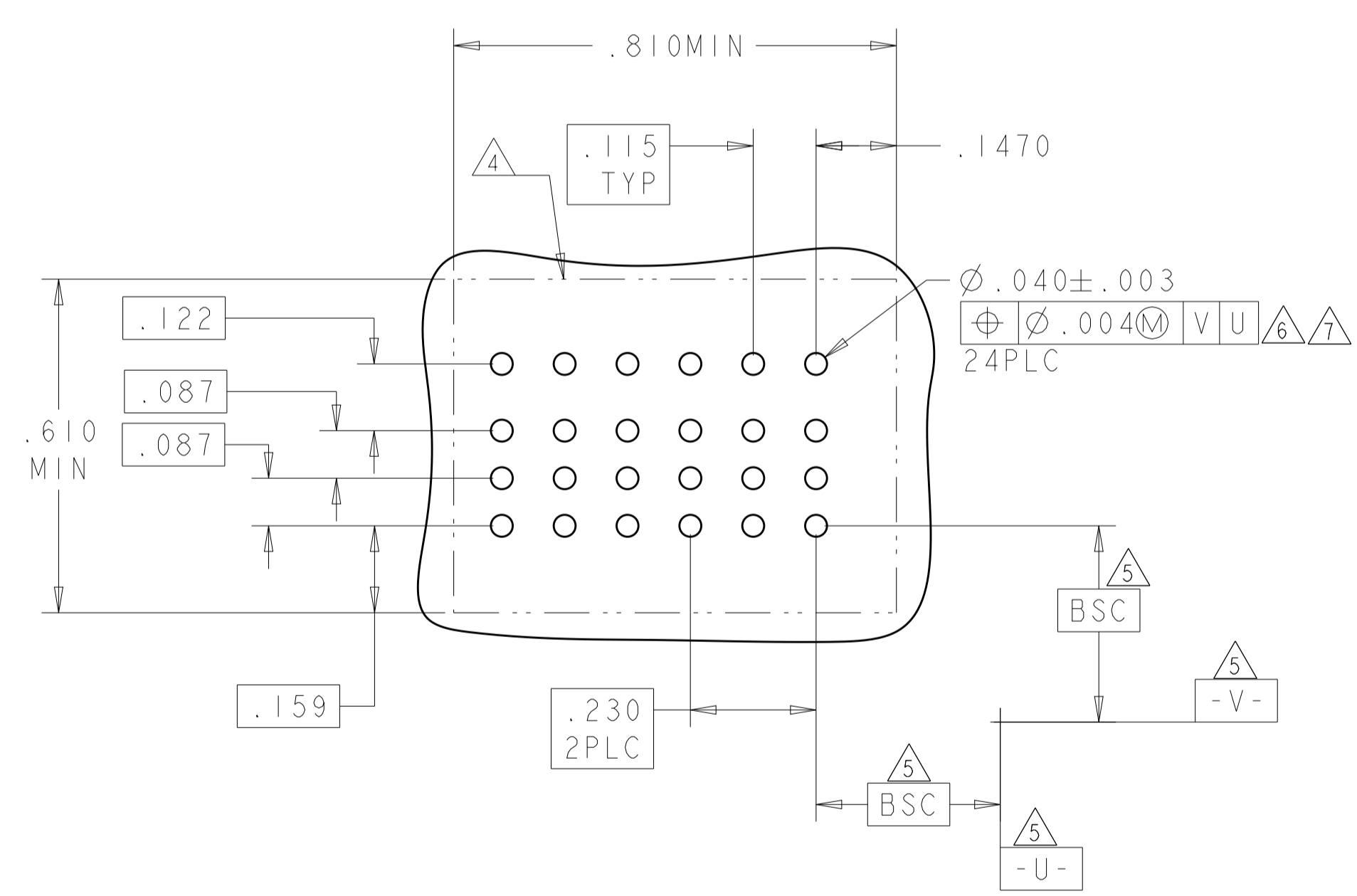
LOC	DIST	REV	DATE	BY	APP'D
ES	00				

REVISIONS		DATE	BY	APP'D
1	SEE SHEET 1			

PART NUMBER	POWER					
	LP6	LP5	LP4	LP3	LP2	LP1
6450869-1	LSI	LSI	LSI	LSI	LSI	LSI
6 LP						

PART NUMBER	ROWS	POWER		SIGNAL						
		P2	PI	6	5	4	3	2	1	
6450869-4	D	GP	GS	AP	AP	AP	AP	AP	AP	
	C			AP	AP	AP	AP	AP	AP	
	B			AP	AP	AP	AP	AP	AP	
	A			AP	AP	AP	AP	AP	AP	
24S + 2P										



P	.115 TAIL LENGTH, PRESS FIT, SIGNAL
AP	.135 TAIL LENGTH, PRESS FIT, SIGNAL
VP	MFBL .115 TAIL LENGTH, PRESS FIT, POWER
VS	STD .115 TAIL LENGTH, PRESS FIT, POWER
GP	MFBL .135 TAIL LENGTH, PRESS FIT, POWER
GS	STD .135 TAIL LENGTH, PRESS FIT, POWER
LSI	STD .135 TAIL LENGTH, PRESS FIT, POWER
CODE	PRESS FIT
POWER CONTACT	

THIS DRAWING IS A CONTROLLED DOCUMENT.

DWN	H. LIU	30APR2008
CHK	S. ZHAO	30APR2008
APVD	S. YAO	

TE Connectivity

NAME: VERTICAL RECEPTACLE ASSEMBLY  
NO GUIDES  
MULTI-BEAM XLE

PRODUCT SPEC: 108-2292  
APPLICATION SPEC: 114-13038

SIZE: A1  
CAGE CODE: 100779  
DRAWING NO: 6450869

RESTRICTED TO: -

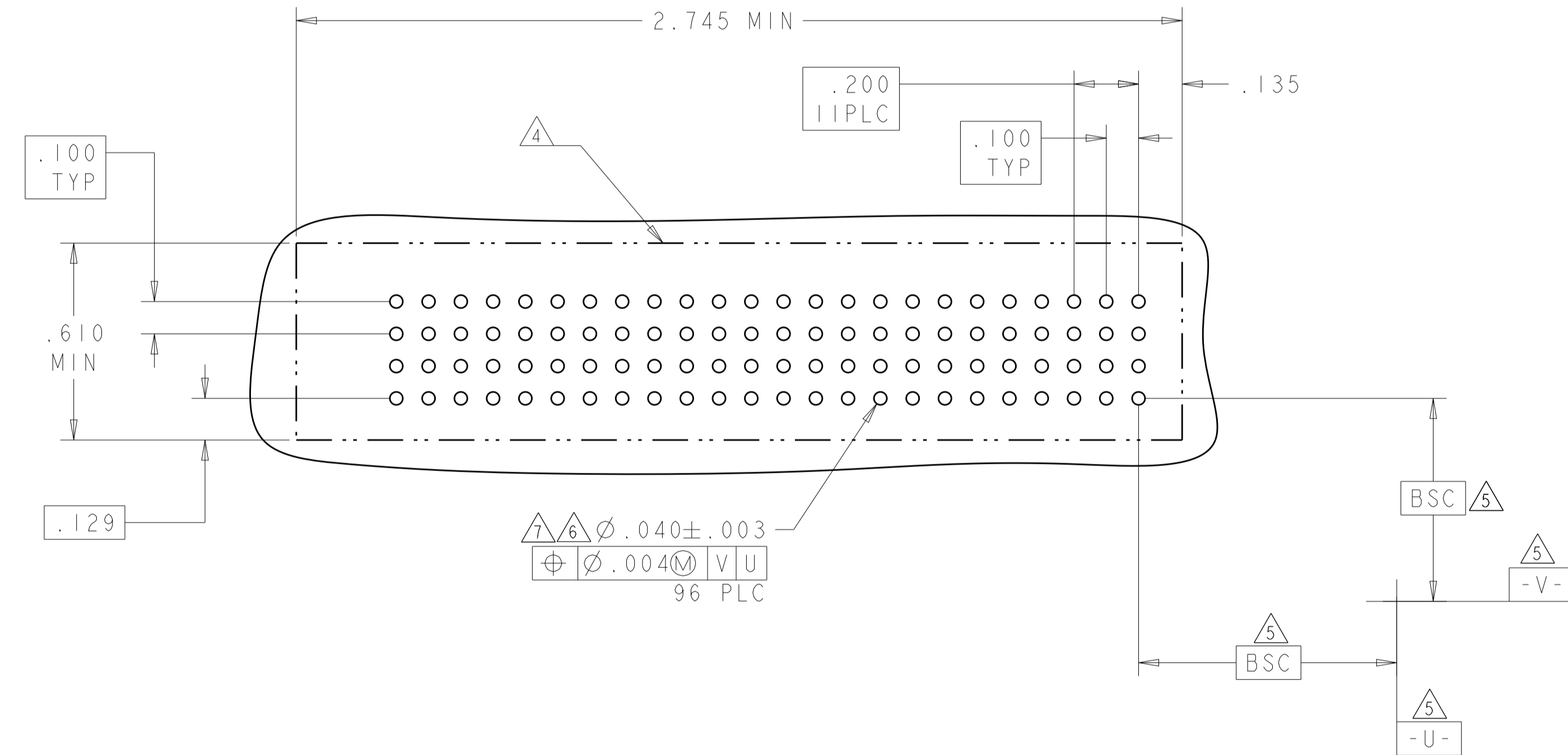
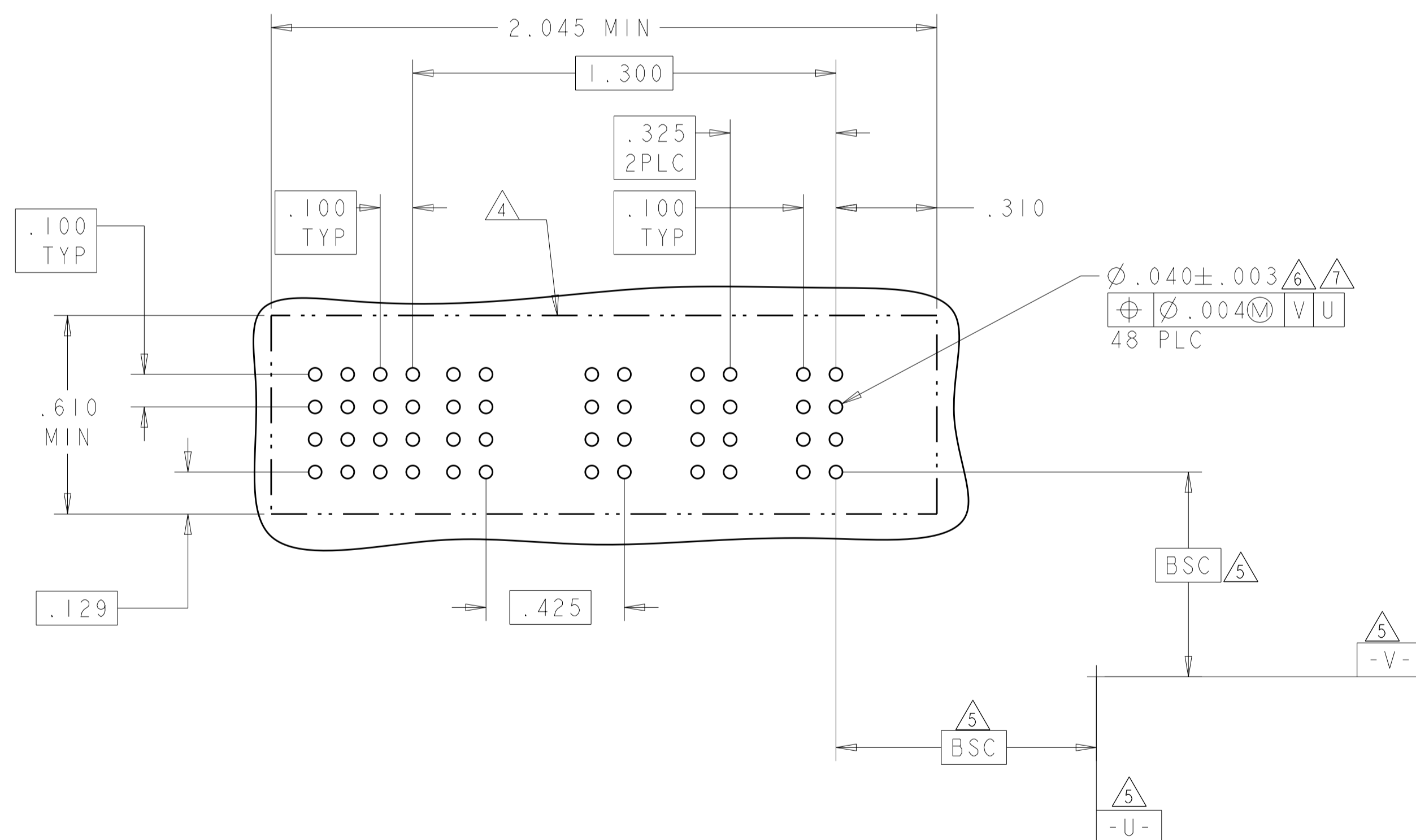
CUSTOMER DRAWING

SCALE: 4:1  
SHEET: 3 OF 10  
REV: E2

LOC	DIST	REVISIONS			
P	LTN	DESCRIPTION	DATE	DMN	APVD
ES	00	SEE SHEET 1	-	-	-

PART NUMBER	ROWS	SIGNAL				POWER			
		4	3	2	1	P4	P3	P2	P1
6450869-5	D	AP	AP	AP	AP	GP	GS	GS	GS
	C	AP	AP	AP	AP				
	B	AP	AP	AP	AP				
	A	AP	AP	AP	AP				
4P + 16S									

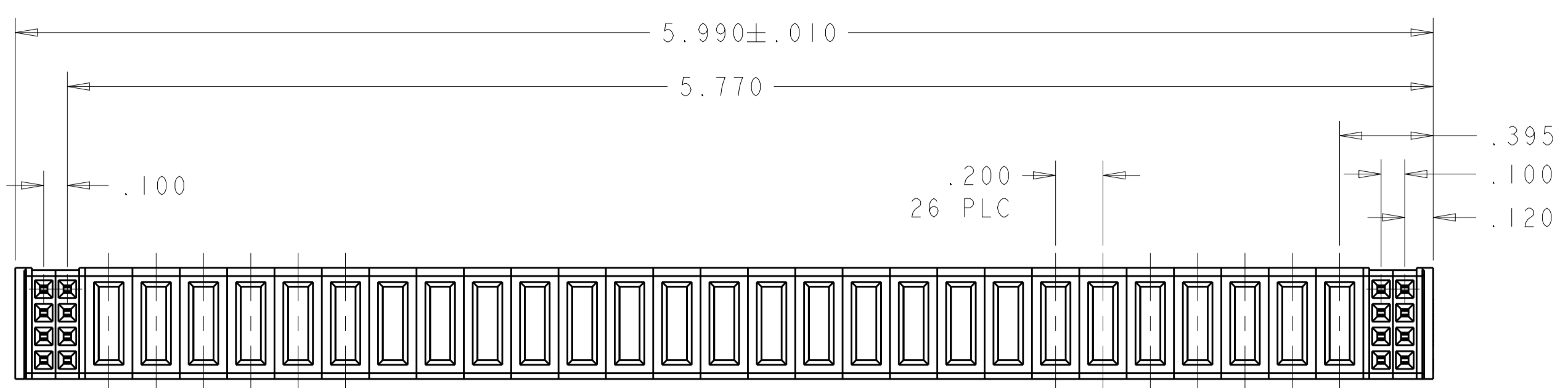
PART NUMBER	POWER											
	P12	P11	P10	P9	P8	P7	P6	P5	P4	P3	P2	P1
6450869-7	GS	GS	GP	GS	GS	GS	GS	GS	GP	GS	GS	GS
12P												



THIS DRAWING IS A CONTROLLED DOCUMENT.		DMN: H.LIU 30APR2008	<b>STE</b> TE Connectivity
DIMENSIONS: INCHES		CHK: S.ZHAO 30APR2008	
TOLERANCES UNLESS OTHERWISE SPECIFIED:		APVD: S.YAO	NAME: VERTICAL RECEPTACLE ASSEMBLY
0 PLC ± .01		PRODUCT SPEC: 108-2292	NO GUIDES
1 PLC ± .01		APPLICATION SPEC: 114-13038	MULTI-BEAM XLE
2 PLC ± .005		SIZE: A1	CAGE CODE: 100779
3 PLC ± .005		DRAWING NO: 6450869	RESTRICTED TO: -
4 PLC ± .0020		WEIGHT: -	SCALE: 4:1
ANGLES: ± 7°		CUSTOMER DRAWING	SHEET 4 OF 10
FINISH: -		REV: E2	



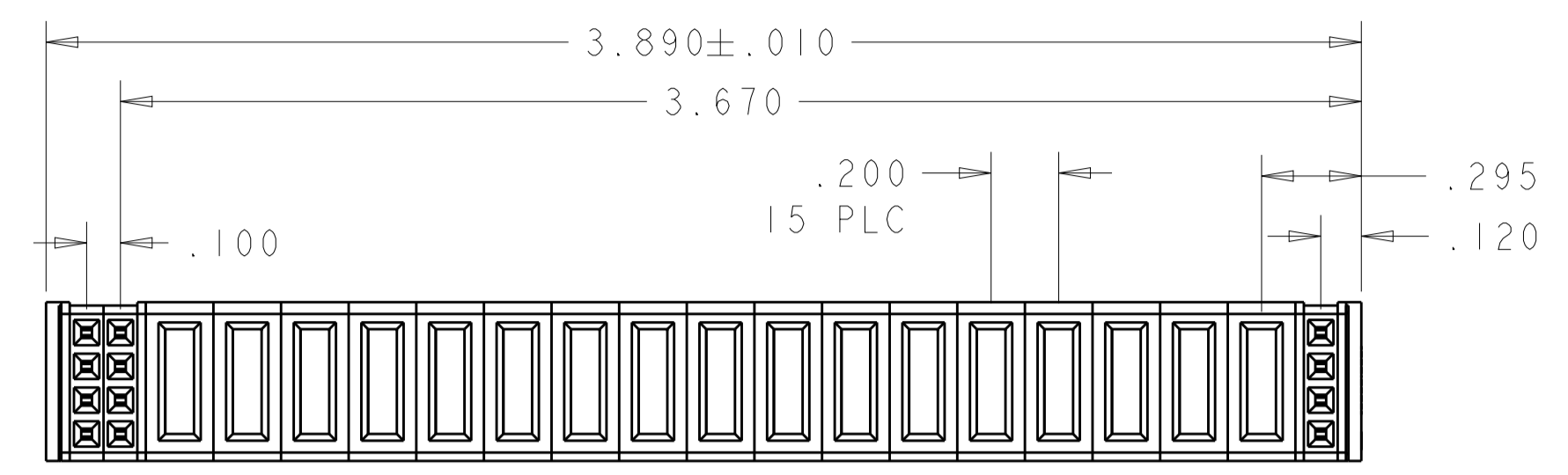
LOC	DIST	REVISIONS			
P	LTN	DESCRIPTION	DATE	OWN	APVD
ES	00	SEE SHEET 1			



PART NUMBER: 6450869-2

PART NUMBER	ROWS	SIGNAL		POWER																	SIGNAL												
		4	3	P27	P26	P25	P24	P23	P22	P21	P20	P19	P18	P17	P16	P15	P14	P13	P12	P11	P10	P9	P8	P7	P6	P5	P4	P3	P2	P1	2	1	
6450869-2	D	P	P																													P	P
	C	P	P	VS	VS	VS	VS	VS	VS	VS	VS	VS	VS	VS	VS	VS	VS	VS	VS	VS	VS	VS	VS	VS	VS	VS	VS	VS	VS	VS	P	P	
	B	P	P																												P	P	
	A	P	P																												P	P	

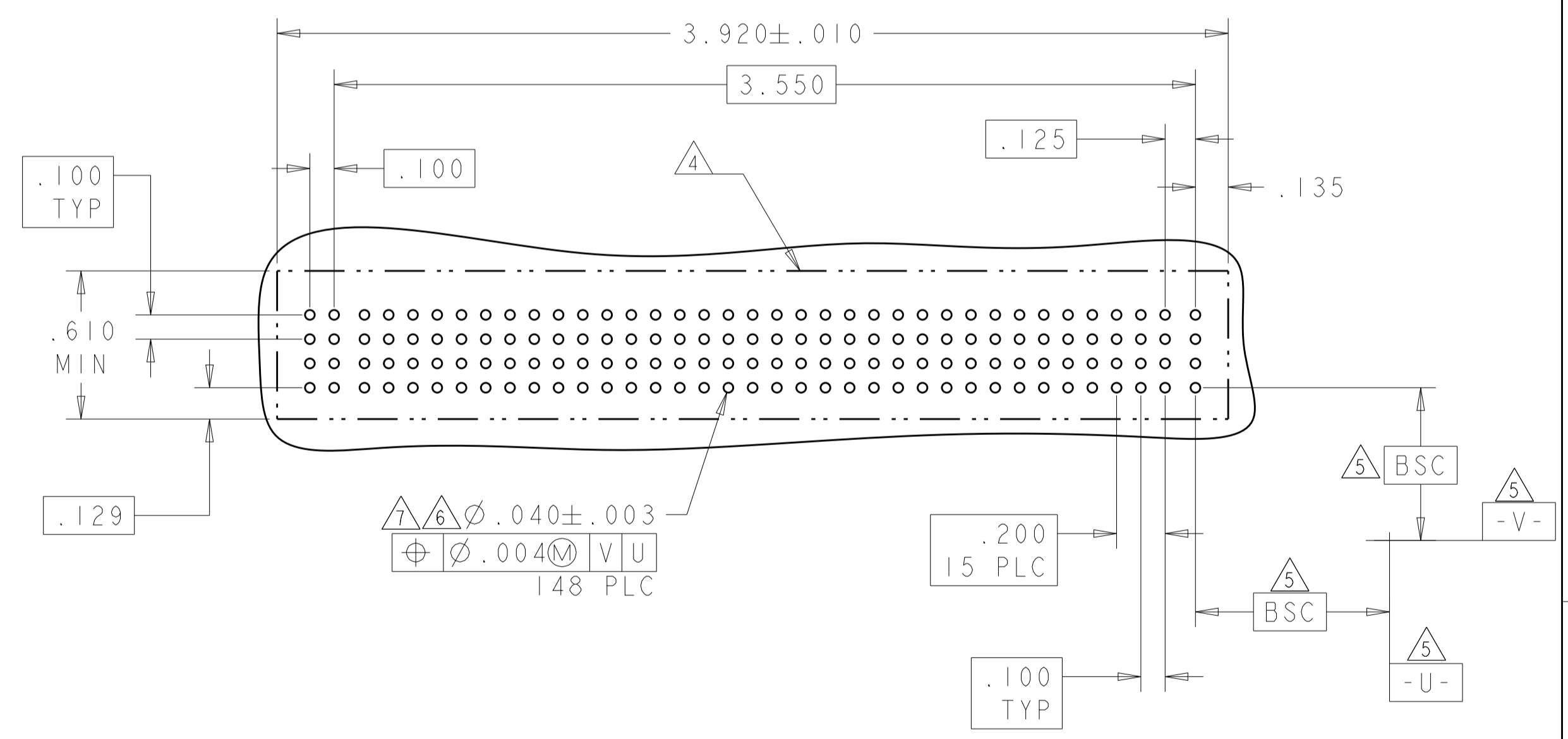
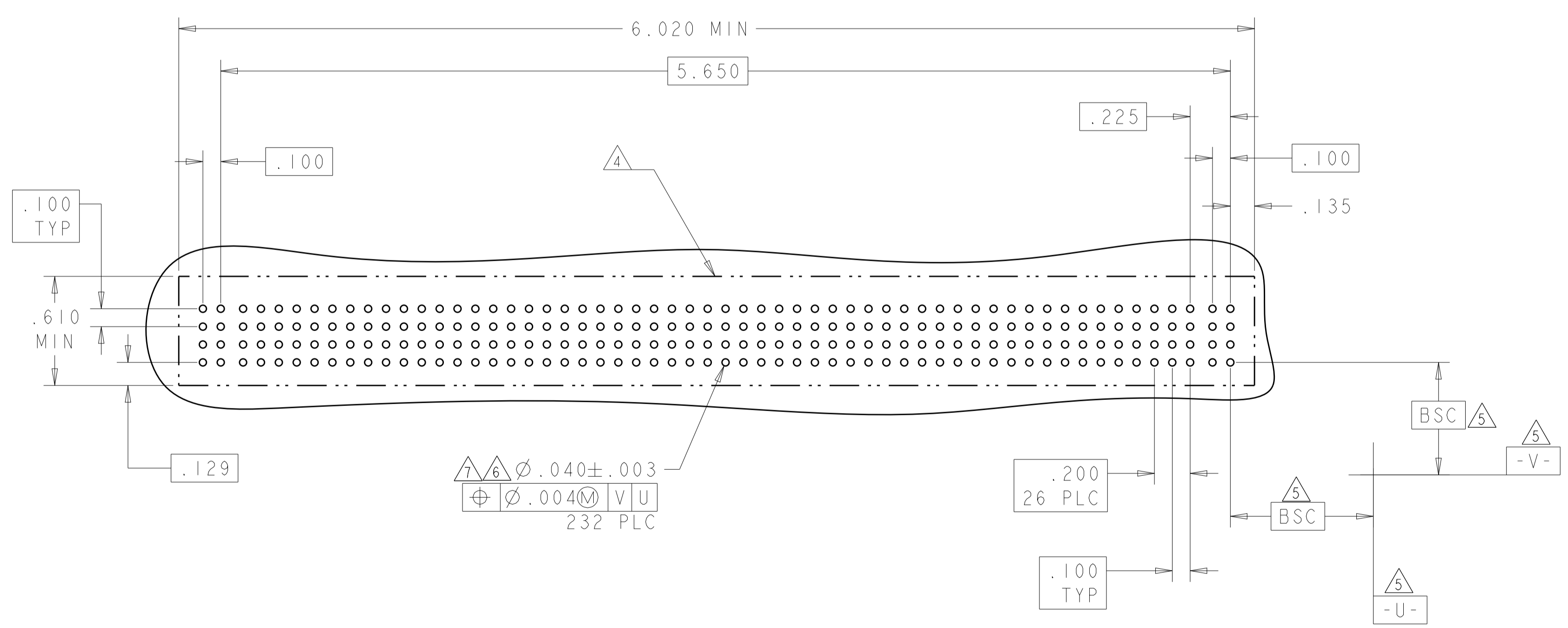
8S + 27P + 8S



PART NUMBER: 6450869-3

PART NUMBER	ROWS	SIGNAL		POWER																	S									
		3	2	P17	P16	P15	P14	P13	P12	P11	P10	P9	P8	P7	P6	P5	P4	P3	P2	P1	I									
6450869-3	D	P	P																											P
	C	P	P	VS	VS	VS	VS	VS	VS	VS	VS	VS	VS	VS	VS	VS	VS	VS	VS	VS	VS	VS	VS	VS	VS	VS	VS	VS	P	
	B	P	P																										P	
	A	P	P																										P	

4S + 17HDP + 8S



THIS DRAWING IS A CONTROLLED DOCUMENT.

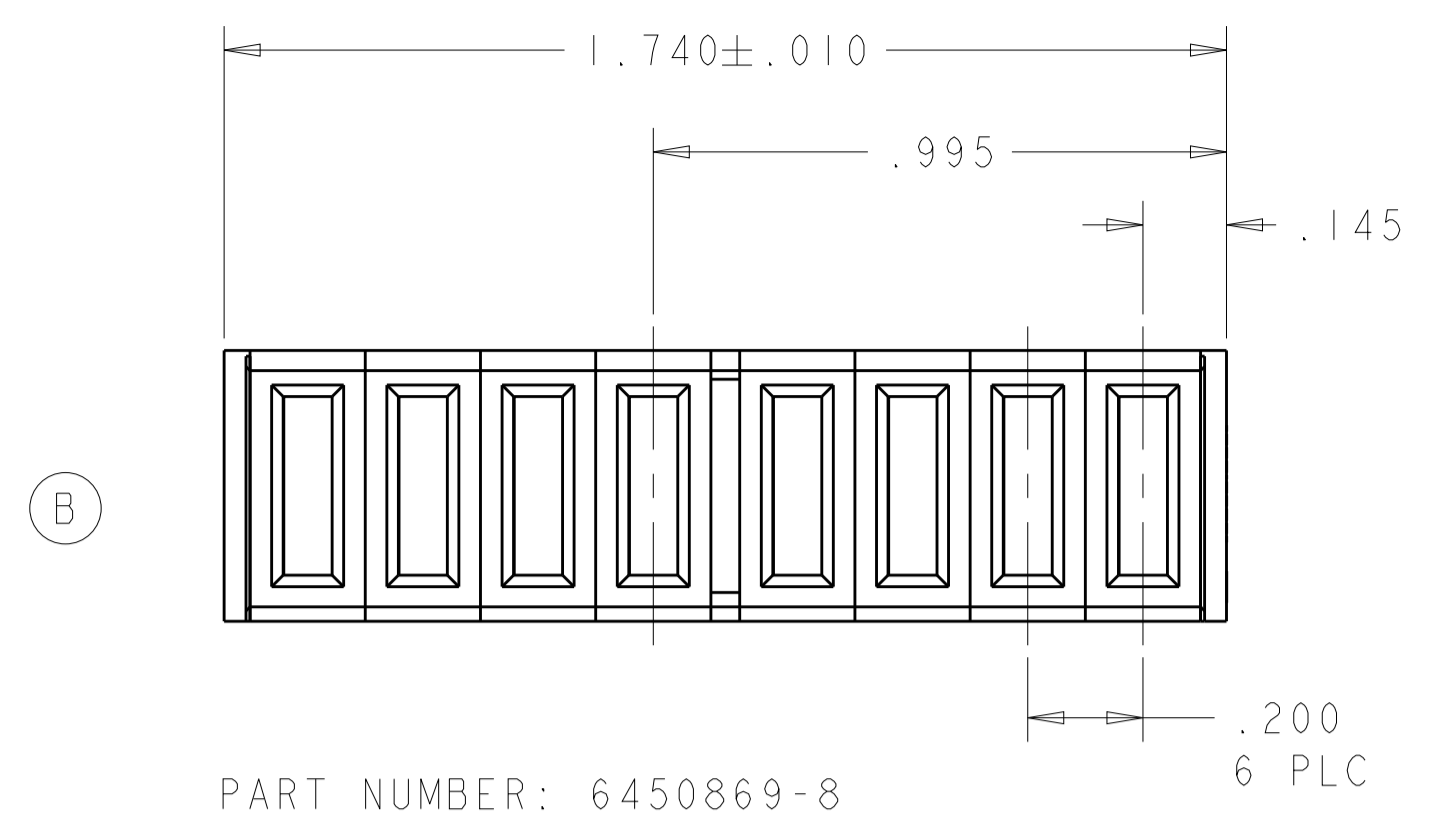
DIMENSIONS:	TOLERANCES UNLESS OTHERWISE SPECIFIED:	OWN	30APR2008
INCHES	0 PLC ± .01	CHK	30APR2008
	1 PLC ± .01	APVD	
	2 PLC ± .01	NAME	
	3 PLC ± .005	PRODUCT SPEC	
	4 PLC ± .002	APPLICATION SPEC	
	ANGLES ± .020	SIZE	
MATERIAL	FINISH	WEIGHT	
		CUSTOMER DRAWING	

TE Connectivity

VERTICAL RECEPTACLE ASSEMBLY  
 NO GUIDES  
 MULTI-BEAM XLE

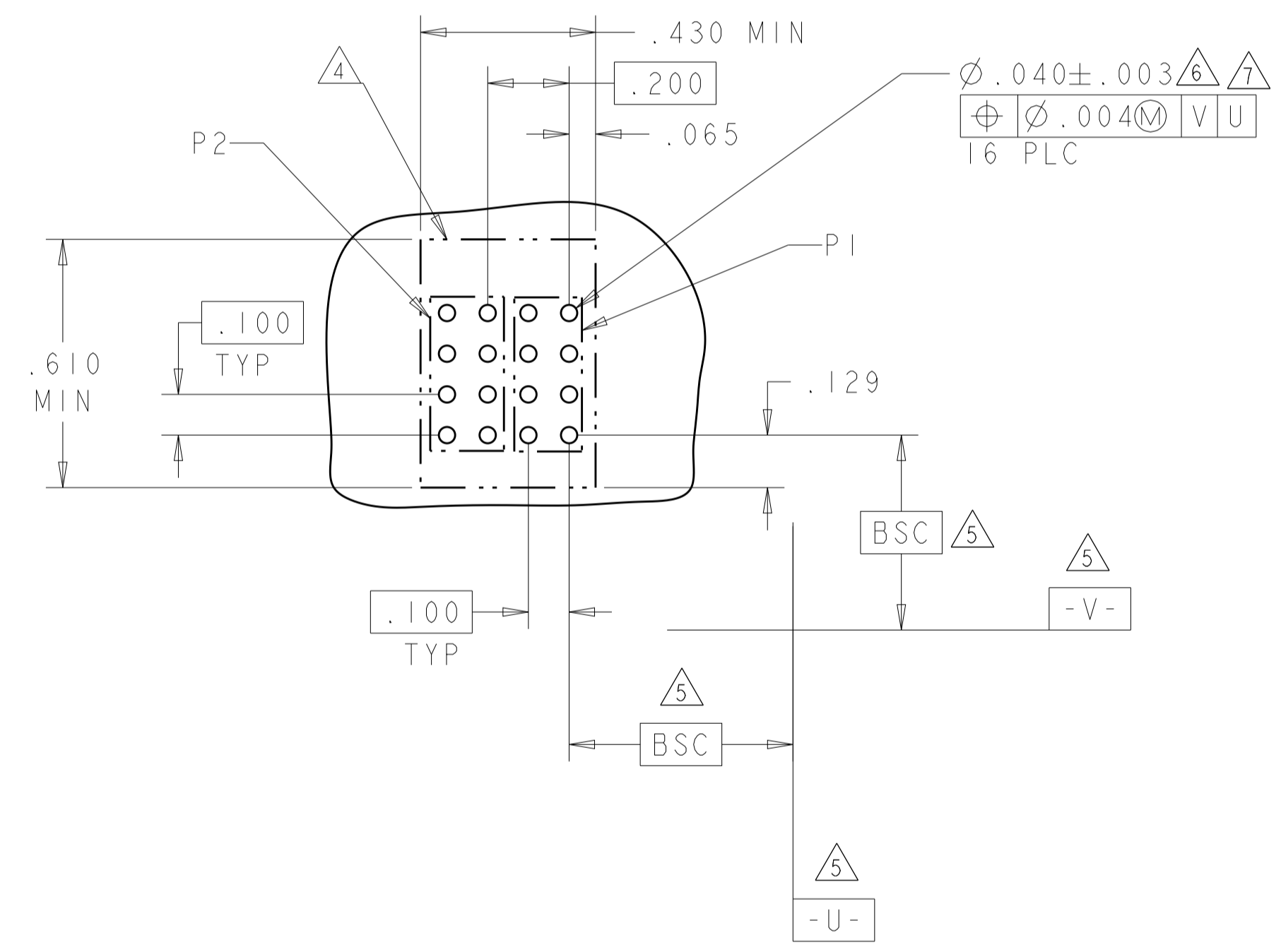
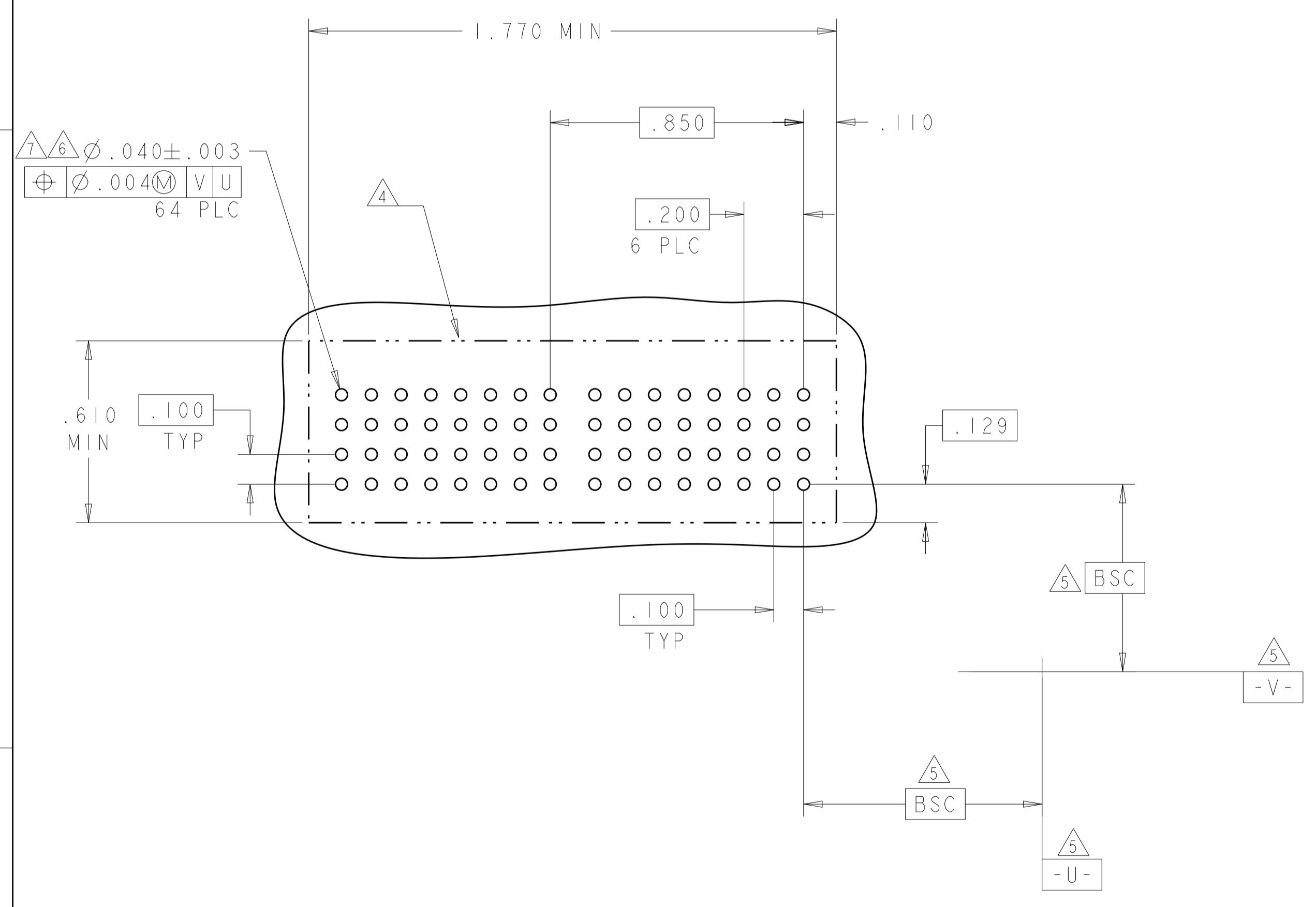
SCALE 4:1 SHEET 6 OF 10 REV E2

LOC	DIST	REVISIONS			
P	LTN	DESCRIPTION	DATE	DWN	APVD
-	-	SEE SHEET 1	-	-	-



PART NUMBER	POWER	
	P2	P1
1-6450869-3	GP	GS
2P		

PART NUMBER	ROWS	POWER							
		P8	P7	P6	P5	P4	P3	P2	P1
6450869-8	D								
	C	GS	GS	GS	GS	GS	GS	GS	GS
	B								
	A								
8P									



THIS DRAWING IS A CONTROLLED DOCUMENT. DWN: H.LIU 30APR2008  
 CHK: S.ZHAO 30APR2008

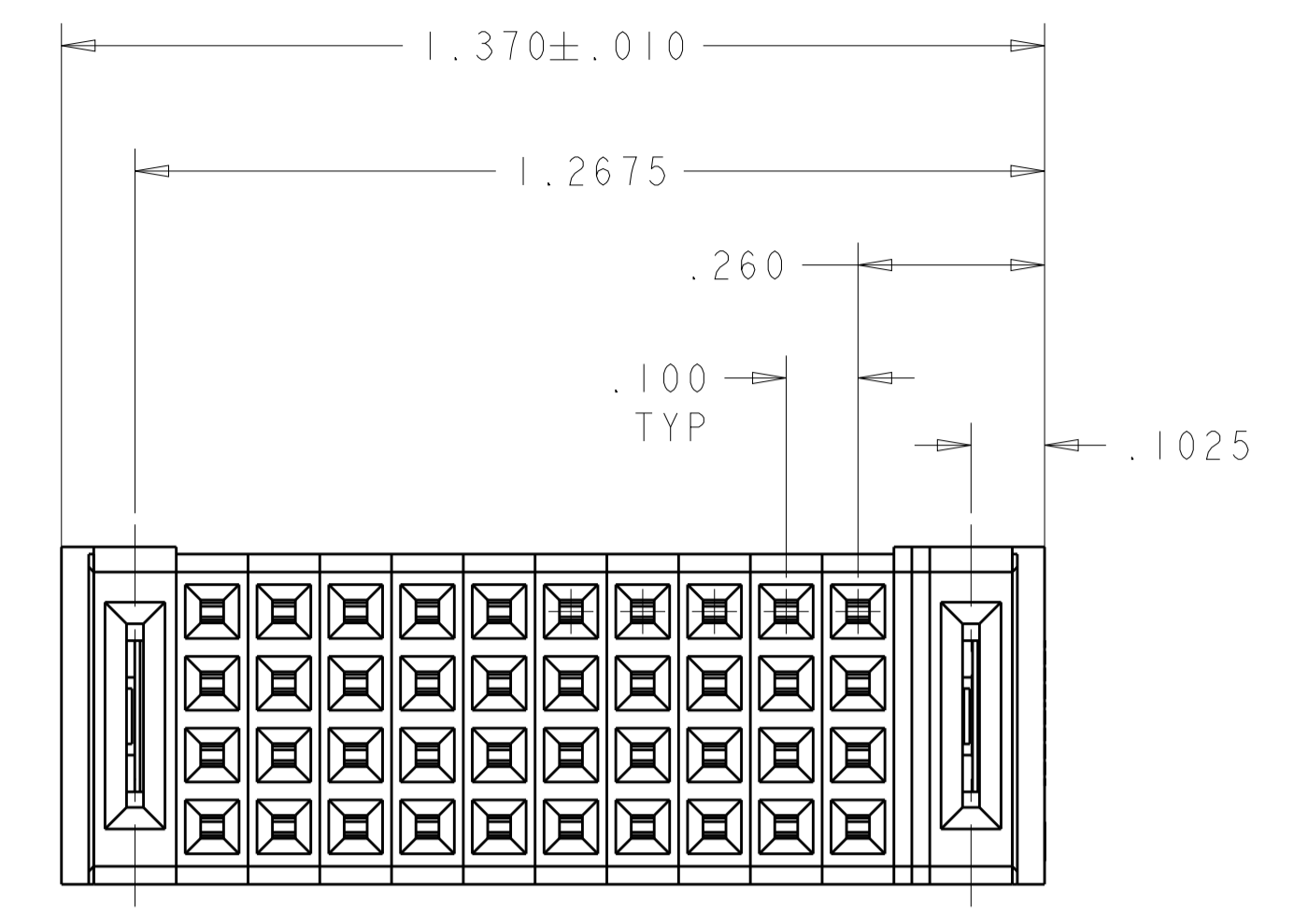
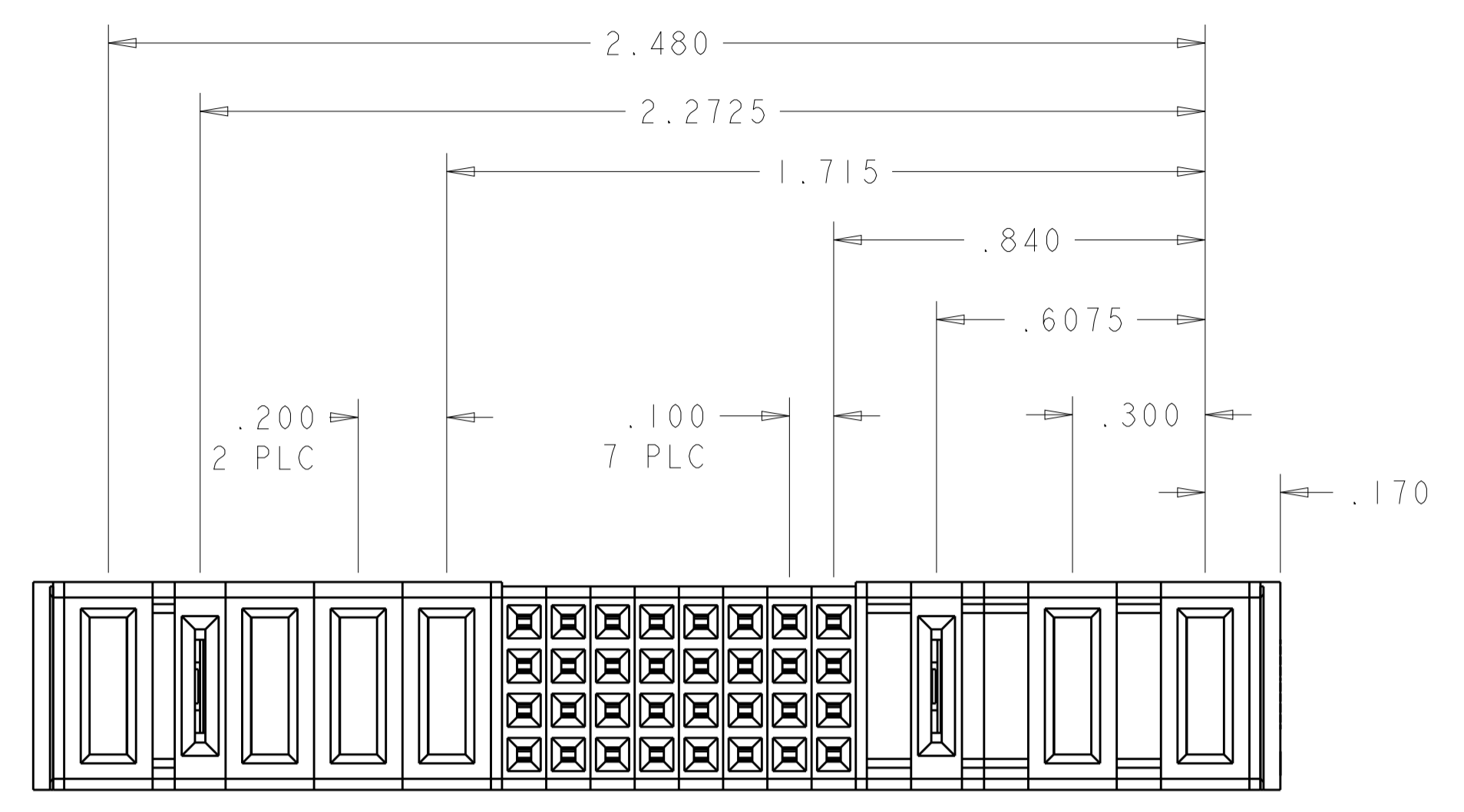
DIMENSIONS: INCHES	TOLERANCES UNLESS OTHERWISE SPECIFIED:	APVD: S.YAO	NAME: S.YAO
0 PLC ±.01	1 PLC ±.01	PRODUCT SPEC: 108-2292	PRODUCT SPEC: 108-2292
2 PLC ±.01	3 PLC ±.005	APPLICATION SPEC: 114-13038	APPLICATION SPEC: 114-13038
4 PLC ±.0020	ANGLES ±.2°	WEIGHT: -	WEIGHT: -
MATERIAL: -	FINISH: -	SIZE: A1	CAGE CODE: 00779
CUSTOMER DRAWING		SCALE: 4:1	SHEET 7 OF 10

TE Connectivity  
 VERTICAL RECEPTACLE ASSEMBLY  
 NO GUIDES  
 MULTI-BEAM XLE

REV: E2

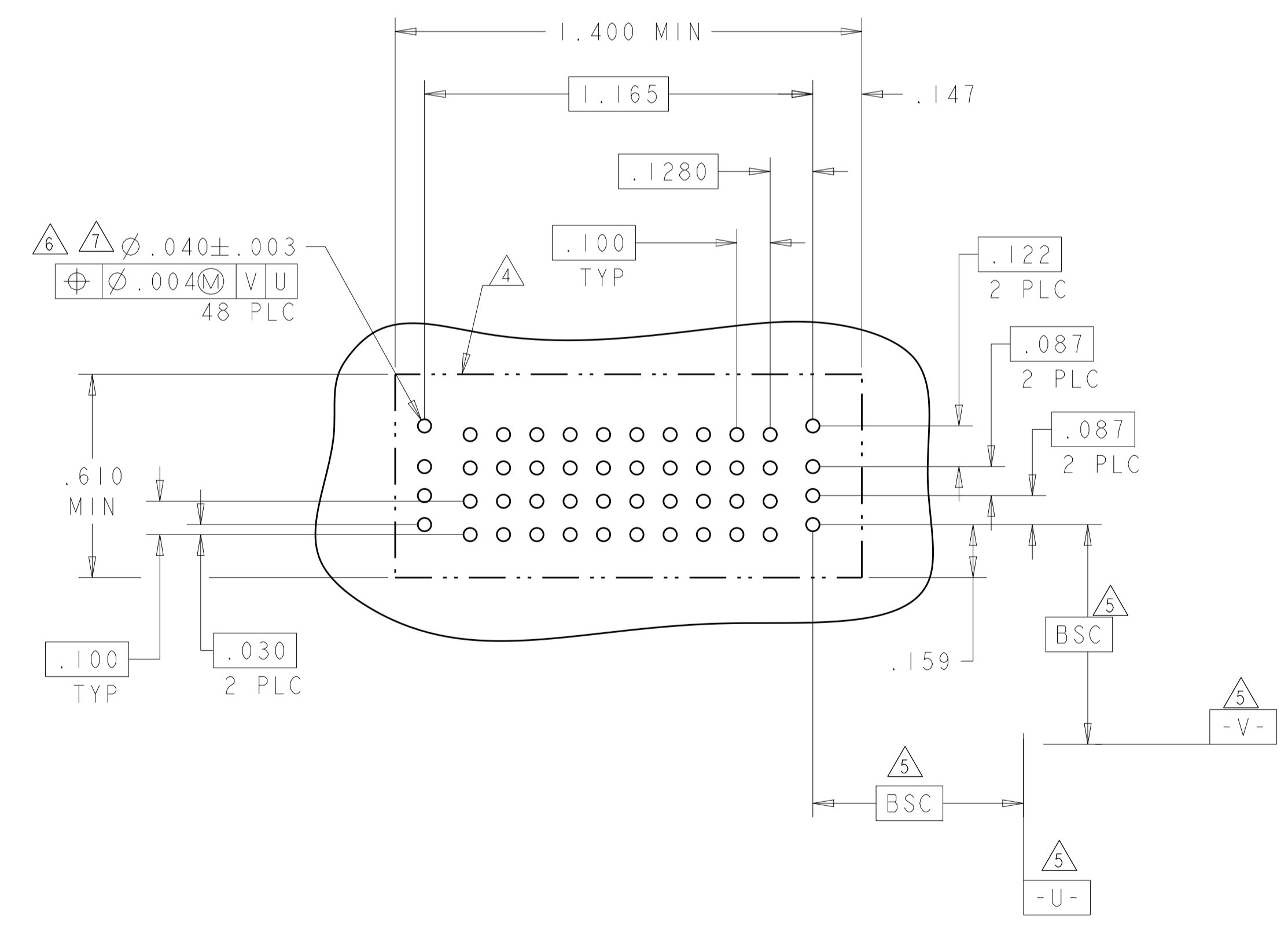
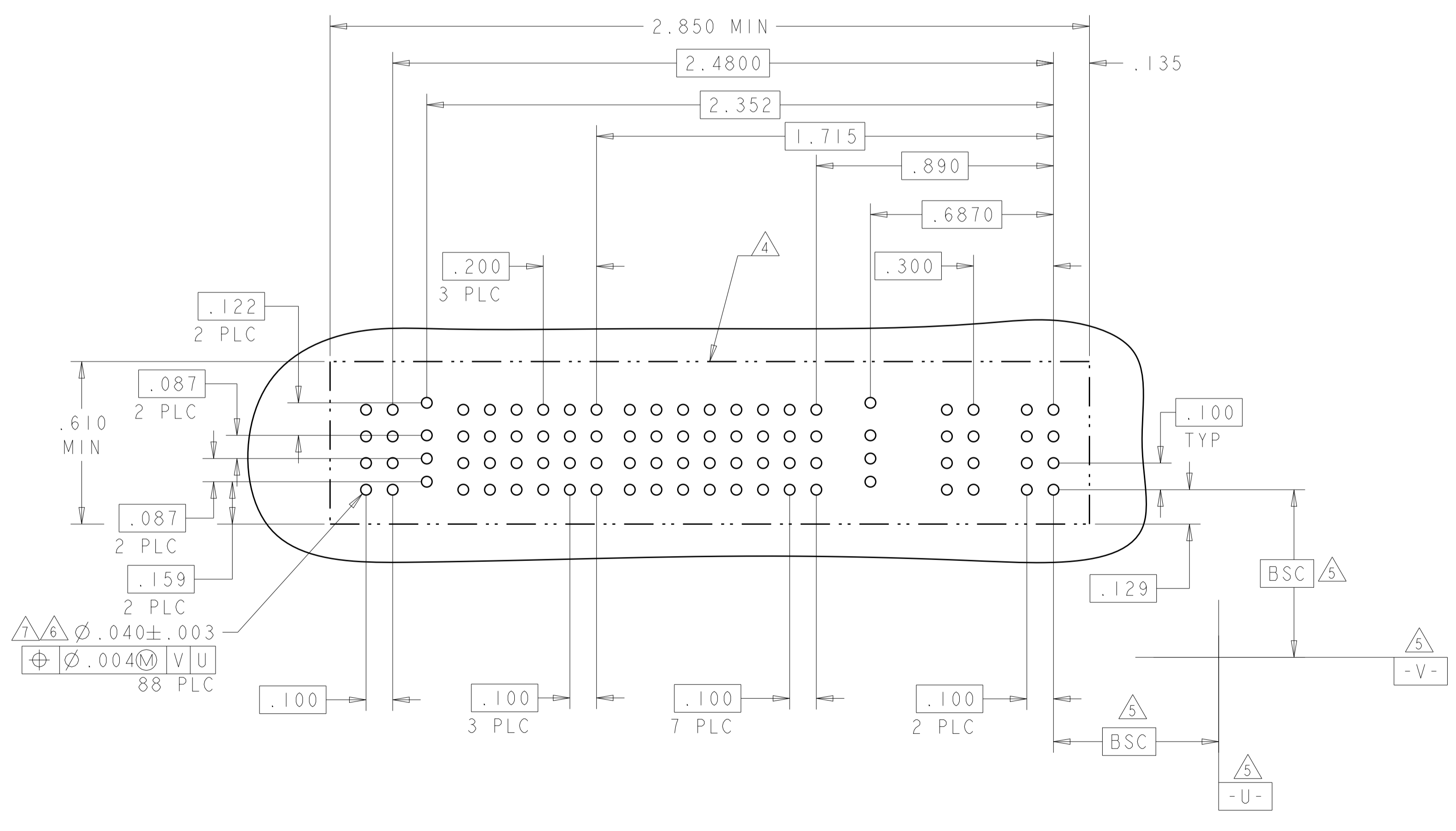


LOC	DIST	REVISIONS			
P	LTN	DESCRIPTION	DATE	DMN	APVD
ES	00	SEE SHEET 1			



PART NUMBER	ROWS	POWER					SIGNAL										POWER		
		P6	LP2	P5	P4	P3	8	7	6	5	4	3	2	1	LPI	P2	P1		
I-6450869-4	D						AP	AP	AP	AP	AP	AP	AP	AP	AP				
	C						AP	AP	AP	AP	AP	AP	AP	AP	AP				
	B	GS	LSI	GS	GS	GS	AP	AP	AP	AP	AP	AP	AP	AP	AP	LSI	GS	GS	
	A						AP	AP	AP	AP	AP	AP	AP	AP	AP				
2ACP + 1LP + 32S + 3HDP + 1LP + 1P																			

PART NUMBER	ROWS	LOW POWER		SIGNAL										LOW POWER			
		LP2	10	9	8	7	6	5	4	3	2	1	LPI				
I-6450869-5	D		AP	AP	AP	AP	AP	AP	AP	AP	AP	AP	AP	AP	AP	AP	
	C		AP	AP	AP	AP	AP	AP	AP	AP	AP	AP	AP	AP	AP	AP	
	B		AP	AP	AP	AP	AP	AP	AP	AP	AP	AP	AP	AP	AP	AP	LSI
	A		AP	AP	AP	AP	AP	AP	AP	AP	AP	AP	AP	AP	AP	AP	
1LP + 40S + 1LP																	



THIS DRAWING IS A CONTROLLED DOCUMENT. DWN: H.LIU 30APR2008  
 CHK: S.ZHAO 30APR2008

DIMENSIONS: INCHES. TOLERANCES UNLESS OTHERWISE SPECIFIED:  
 0 PLC ±.01  
 1 PLC ±.01  
 2 PLC ±.01  
 3 PLC ±.005  
 4 PLC ±.005  
 ANGLES ±.0020

MATERIAL: FINISH:

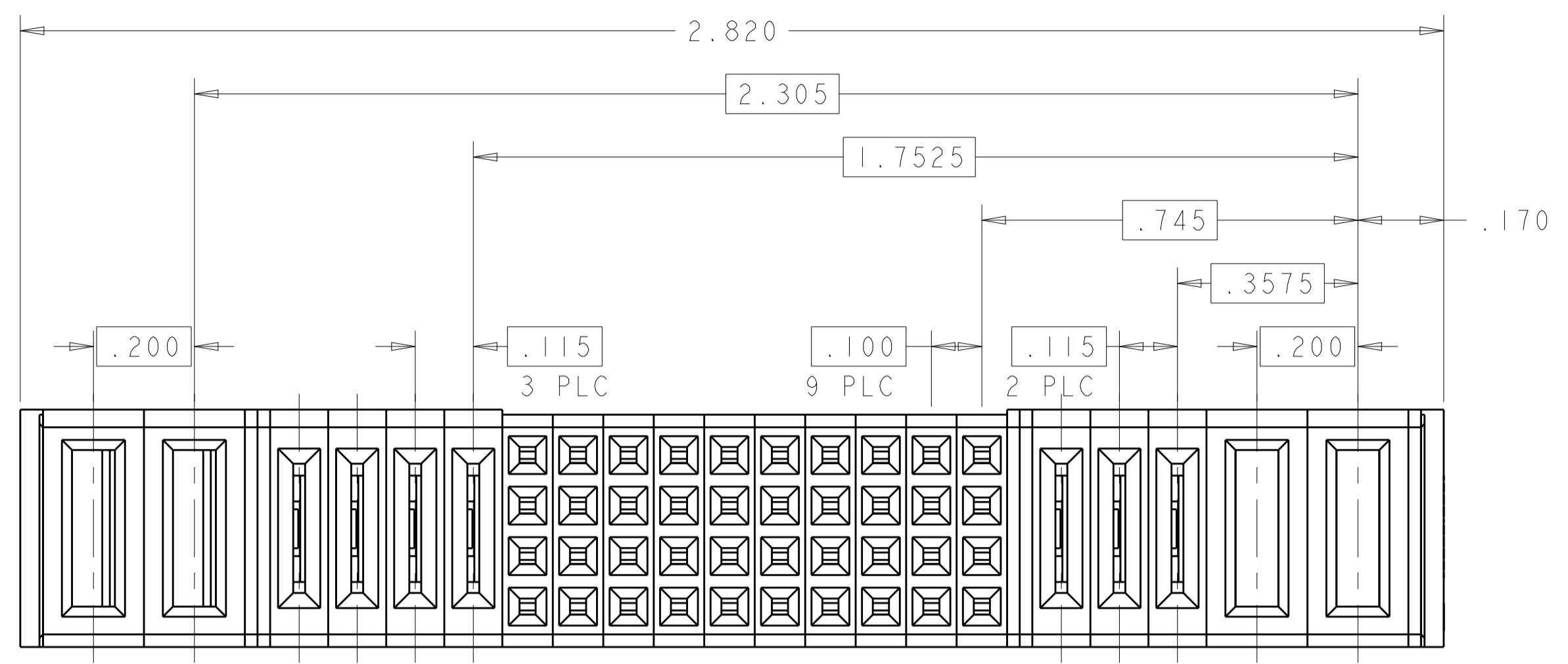
THIS DRAWING IS UNPUBLISHED. RELEASED FOR PUBLICATION. COPYRIGHT 20 BY ALL RIGHTS RESERVED.

TE Connectivity

VERTICAL RECEPTACLE ASSEMBLY  
 NO GUIDES  
 MULTI-BEAM XLE

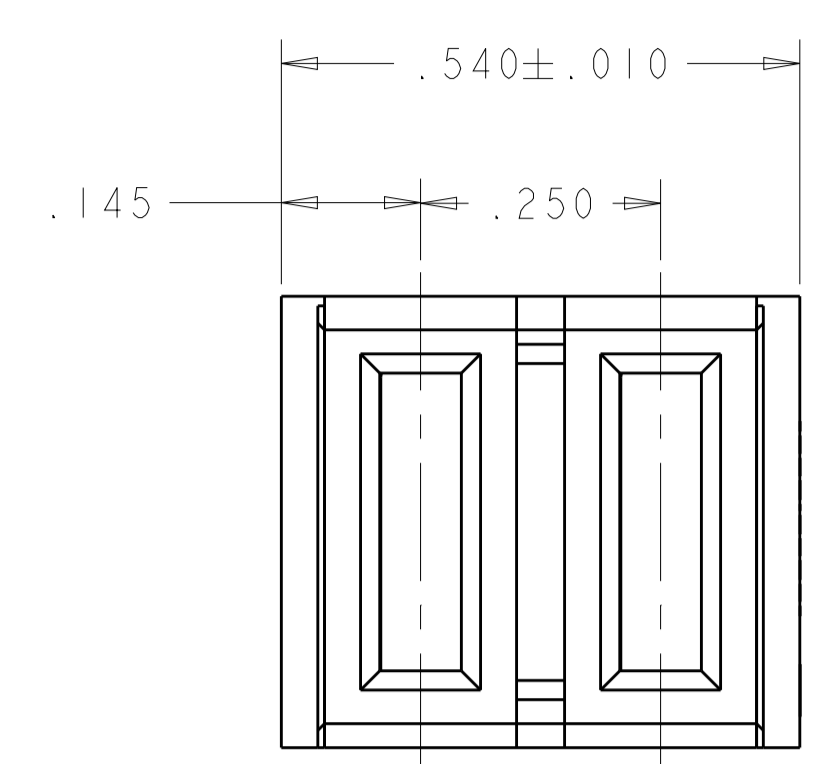
SIZE: 114-13038. WEIGHT: 100779. CAGE CODE: 6450869. SCALE: 4:1. SHEET 8 OF 10. REV E2.

LOC	DIST	REVISIONS			
P	LTN	DESCRIPTION	DATE	DMN	APVD
ES	00	SEE SHEET 1	-	-	-

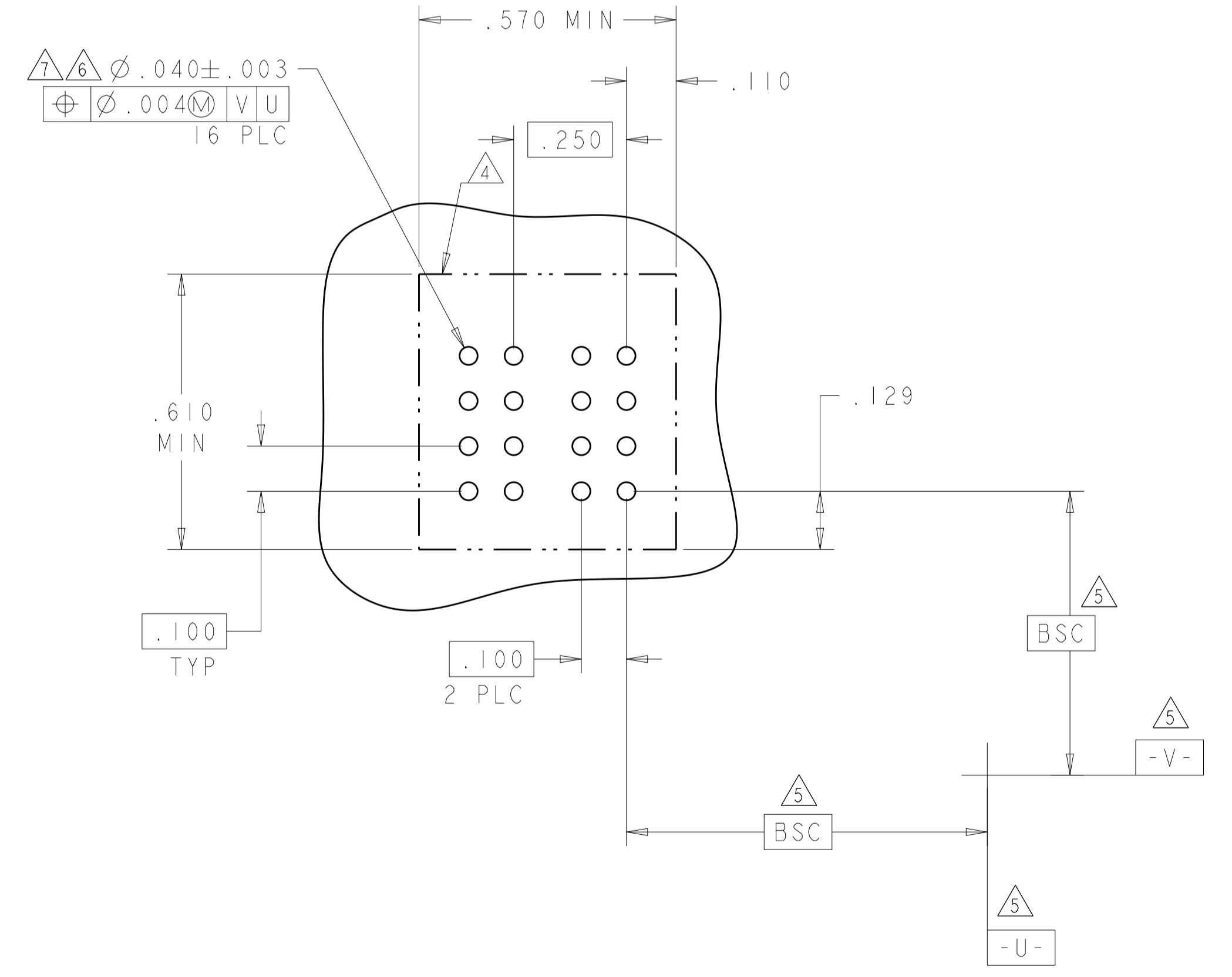
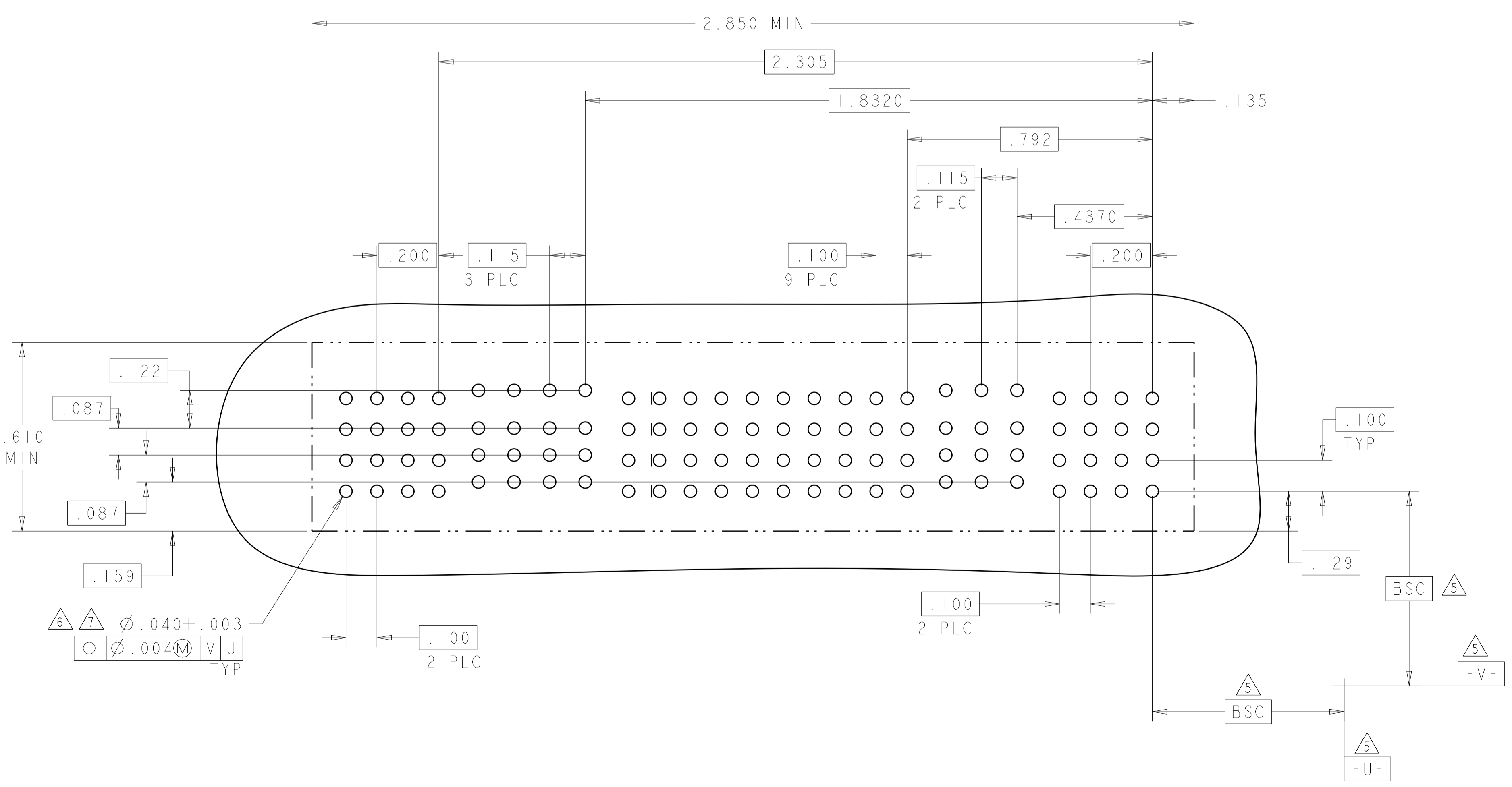


PART NUMBER	ROWS	POWER						SIGNAL										POWER									
		P4	P3	LP7	LP6	LP5	LP4	10	9	8	7	6	5	4	3	2	1	LP3	LP2	LP1	P2	P1					
1-6450869-6	D							AP	AP	AP	AP	AP	AP	AP	AP	AP	AP										
	C	GS	GS	LSI	LSI	LSI	LSI	AP	AP	AP	AP	AP	AP	AP	AP	AP	AP	LSI	LSI	LSI	LSI	GS	GS				
	B							AP	AP	AP	AP	AP	AP	AP	AP	AP	AP										
	A							AP	AP	AP	AP	AP	AP	AP	AP	AP	AP										

2HDP + 3LP + 40S + 4LP + 2HDP



PART NUMBER	POWER	
	P2	P1
1-6450869-7	GS	GS
2P		



THIS DRAWING IS A CONTROLLED DOCUMENT. DWN: H.LIU 30APR2008  
 CHK: S.ZHAO 30APR2008

STE TE Connectivity

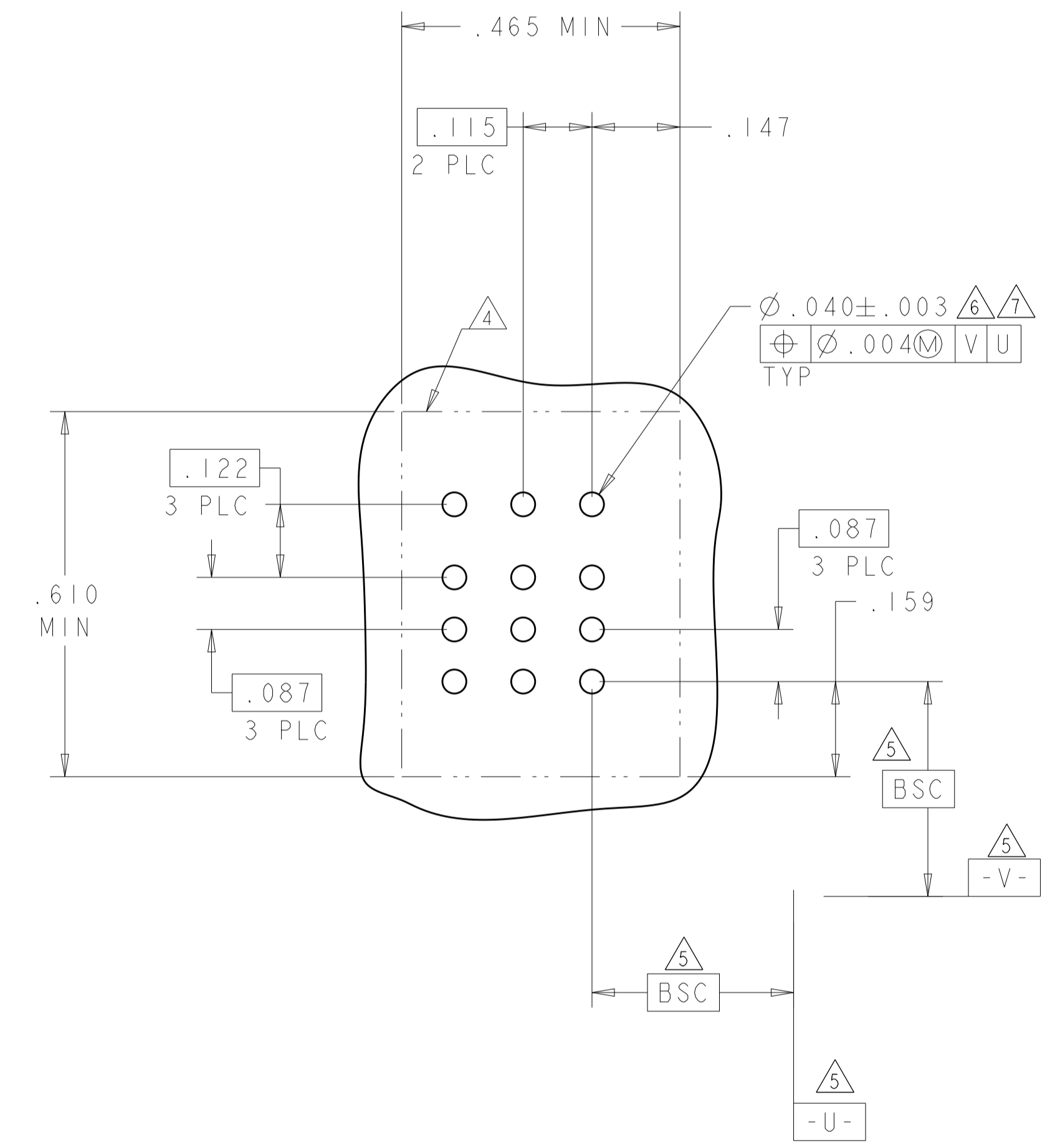
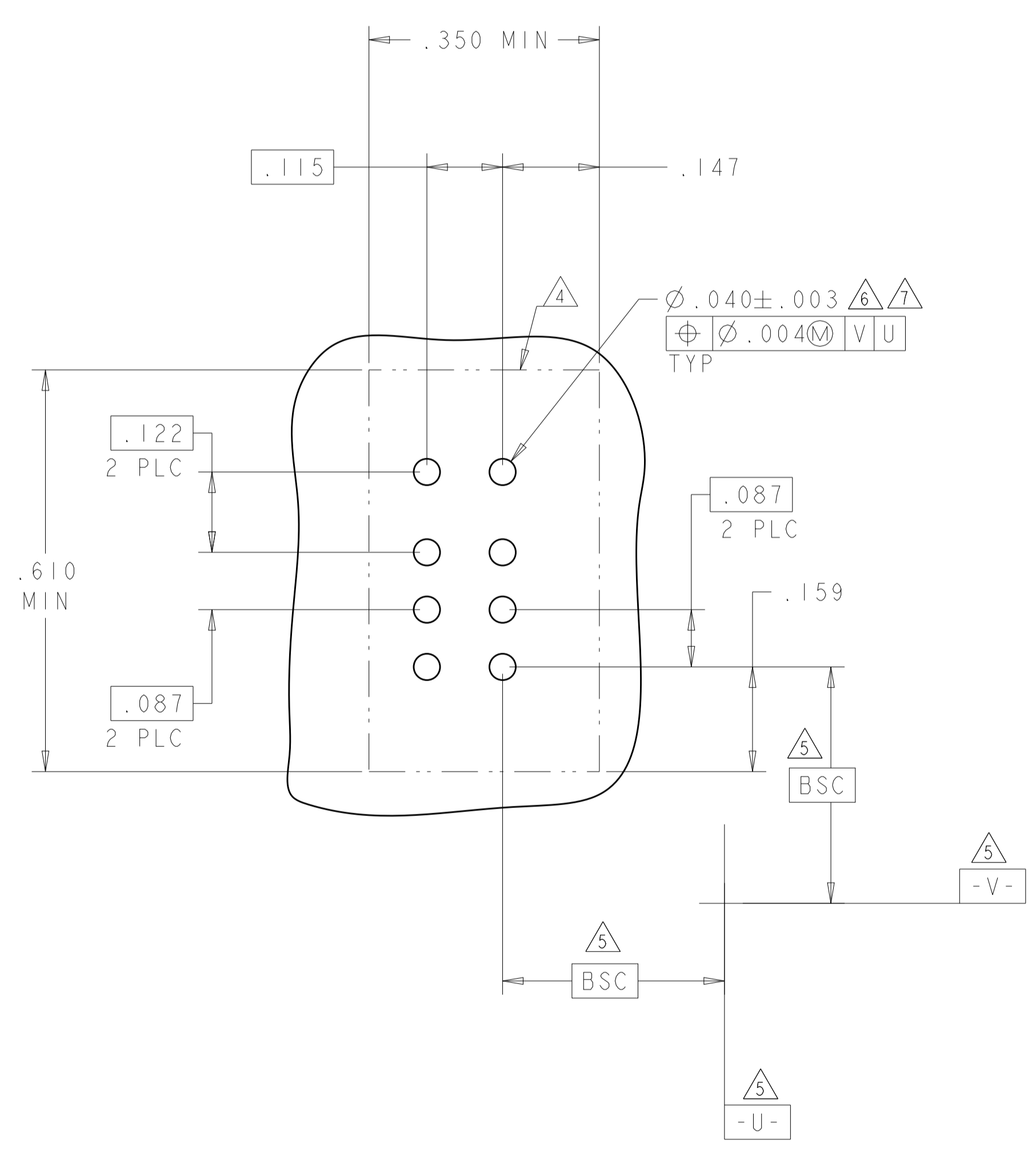
VERTICAL RECEPTACLE ASSEMBLY  
 NO GUIDES  
 MULTI-BEAM XLE

SCALE 4:1 SHEET 9 OF 10 REV E2

LOC	DIST	REVISIONS			
P	LTN	DESCRIPTION	DATE	DWN	APVD
ES	00	SEE SHEET 1	-	-	-

PART NUMBER	LOW POWER	
	LP2	LP1
2-6450869-2	LS1	LS1
2LP		

PART NUMBER	LOW POWER		
	LP3	LP2	LP1
2-6450869-3	LS1	LS1	LS1
3 LP			



THIS DRAWING IS A CONTROLLED DOCUMENT.		DWN: H.LIU 30APR2008	
DIMENSIONS: INCHES		CHK: S.ZHAO 30APR2008	
TOLERANCES UNLESS OTHERWISE SPECIFIED:		APVD: S.YAO	NAME: VERTICAL RECEPTACLE ASSEMBLY
0 PLC ±.01	1 PLC ±.01	PRODUCT SPEC: 108-2292	NO GUIDES
2 PLC ±.005	3 PLC ±.005	APPLICATION SPEC: 114-13038	MULTI-BEAM XLE
4 PLC ±.0020	ANGLES ±.7°	SIZE: A1	CAGE CODE: 6450869
MATERIAL: -	FINISH: -	WEIGHT: -	RESTRICTED TO: -
CUSTOMER DRAWING		SCALE: 4:1	SHEET 10 OF 10 REV: E2