



Chipsmall Limited consists of a professional team with an average of over 10 year of expertise in the distribution of electronic components. Based in Hongkong, we have already established firm and mutual-benefit business relationships with customers from,Europe,America and south Asia,supplying obsolete and hard-to-find components to meet their specific needs.

With the principle of “Quality Parts,Customers Priority,Honest Operation,and Considerate Service”,our business mainly focus on the distribution of electronic components. Line cards we deal with include Microchip,ALPS,ROHM,Xilinx,Pulse,ON,Everlight and Freescale. Main products comprise IC,Modules,Potentiometer,IC Socket,Relay,Connector.Our parts cover such applications as commercial,industrial, and automotives areas.

We are looking forward to setting up business relationship with you and hope to provide you with the best service and solution. Let us make a better world for our industry!



Contact us

Tel: +86-755-8981 8866 Fax: +86-755-8427 6832

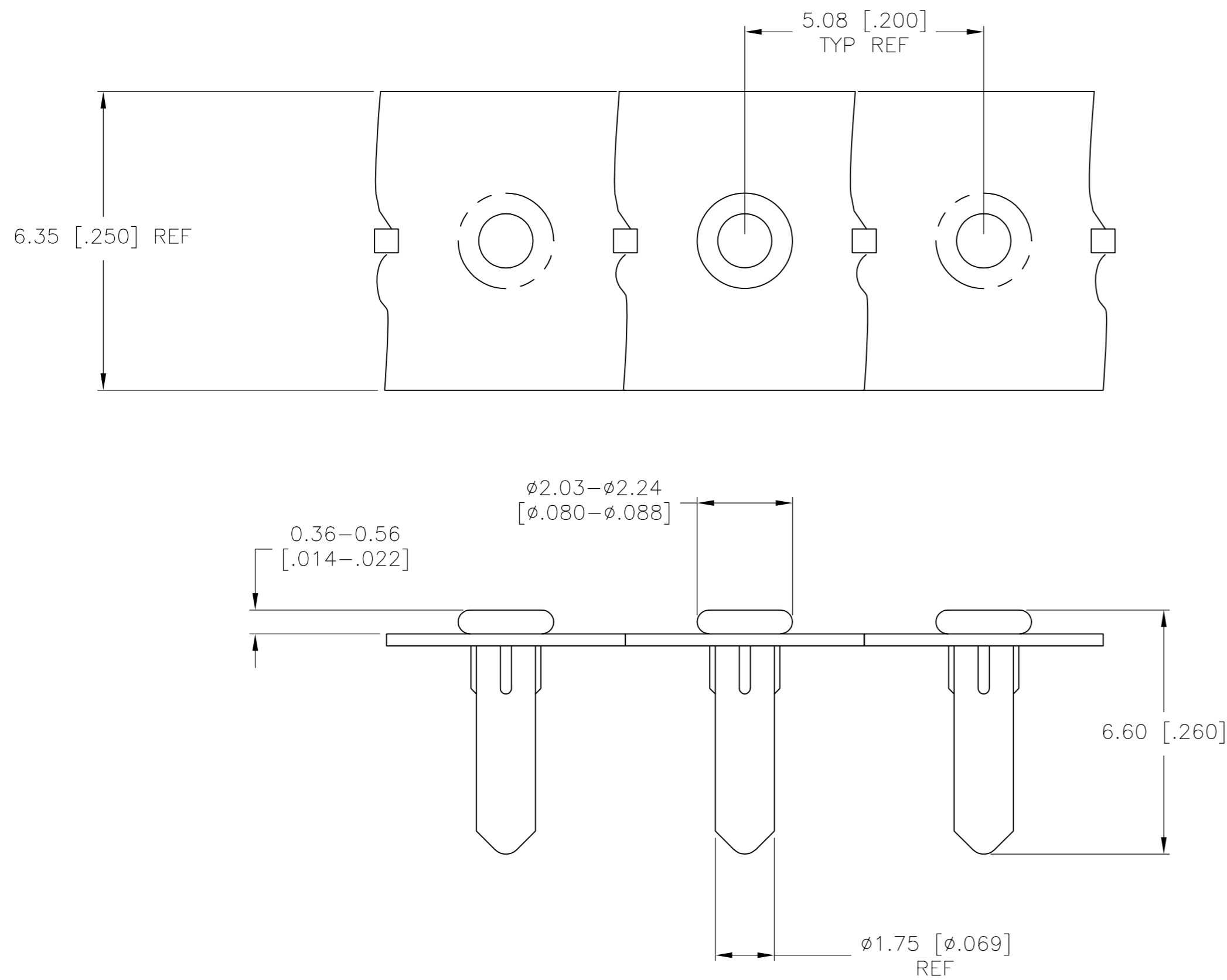
Email & Skype: info@chipsmall.com Web: www.chipsmall.com

Address: A1208, Overseas Decoration Building, #122 Zhenhua RD., Futian, Shenzhen, China

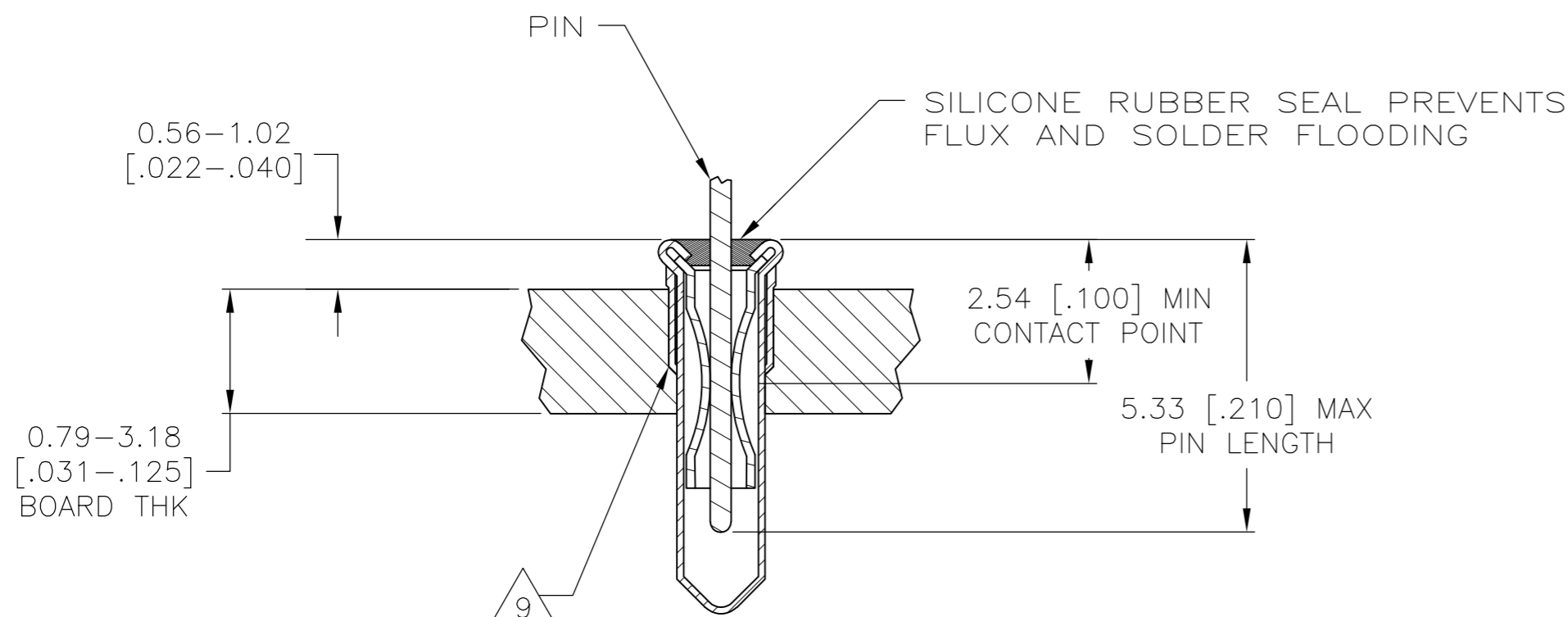


THIS DRAWING IS UNPUBLISHED. RELEASED FOR PUBLICATION
 © COPYRIGHT BY TYCO ELECTRONICS CORPORATION. ALL RIGHTS RESERVED.

LOC	DIST	REVISIONS					
AG	53	P	LTR	DESCRIPTION	DATE	DWN	APVD
		H		REV PER ECO-09-026264	09MAR2010	HMR	DB



- 1 MATERIAL:
EYELET- COPPER(QQ-C-576)
SPRING- BERYLLIUM-COPPER (QQ-C-533)
SEALANT- SILICONE RUBBER
- 2 TIN PLATE (MIL-T-10727) 0.00381 [.000150]
MINIMUM THICKNESS.
- 3 TIN PLATE (MIL-T-10727) 0.00254 [.000100]
MINIMUM THICKNESS.
- 4 NICKEL UNDERPLATE ALL OVER, MATING SURFACE PLATED TO MEET
PERFORMANCE REQUIREMENTS OF TYCO PRODUCT SPECIFICATION
108-14008.
- 5 PACKAGED 10,000 PER REEL.
- 6 TO ENSURE 1/2 OZ MIN RETENTION, DO NOT
EXCEED 0.50 [.002] DIFFERENCE IN PIN DIA
WHEN CHANGING TO A SMALLER DIA PIN.
- 7. APPLICATION TOOLING: MACHINE NO.- 817917-4.
- 8 TIN-LEAD PLATE 0.00381 [.000150]
MINIMUM THICKNESS.
- 9 SHOULDER ON SOCKET PROVIDES RETENTION IN THE
P.C. BOARD. THE RECOMMENDED HOLE DIAMETER IS
1.75 [0.069] MINIMUM, + 0.08 [.003] MAXIMUM
PRIOR TO SOLDERING.
- 10 PACKAGED 50,000 PER REEL.
- 11 PACKAGED 100,000 PER REEL.
- 12 PRELIMINARY - NOT RELEASED FOR PRODUCTION.



OBSOLETE	11, 12	0.94-1.04 [0.037-0.041]	TIN	TIN	1-645501-5
	10	0.94-1.04 [0.037-0.041]	TIN	TIN	1-645501-4
	5	0.94-1.04 [0.037-0.041]	GOLD	TIN	1-645501-3
	5	0.94-1.04 [0.037-0.041]	TIN	TIN	1-645501-2
	5	0.94-1.04 [0.037-0.041]	GOLD	TIN	1-645501-1
REMARKS	PIN DIA	SPRING FINISH	EYELET FINISH	PART NO.	

THIS DRAWING IS A CONTROLLED DOCUMENT.		DWN	3-9-90	Tyco Electronics Corporation Harrisburg, Pa 17105-3608		
DIMENSIONS: mm [INCHES]		CHK	3-13-90	MINIATURE SPRING SOCKET ASSY SERIES 4		
TOLERANCES UNLESS OTHERWISE SPECIFIED:		APVD	-	RESTRICTED TO		
0 PLC ± -		PRODUCT SPEC	108-14008	SIZE	CAGE CODE	DRAWING NO
1 PLC ± -		APPLICATION SPEC	114-26004	A2	00779	C=645501
2 PLC ± -		MATERIAL	SEE TABLE	WEIGHT	-	SCALE
3 PLC ± 0.20[.008]		FINISH	SEE TABLE	CUSTOMER DRAWING	-	10:1
4 PLC ± -				SHEET	1 OF 1	REV
ANGLES ± -				H		