



Chipsmall Limited consists of a professional team with an average of over 10 year of expertise in the distribution of electronic components. Based in Hongkong, we have already established firm and mutual-benefit business relationships with customers from,Europe,America and south Asia,supplying obsolete and hard-to-find components to meet their specific needs.

With the principle of “Quality Parts,Customers Priority,Honest Operation,and Considerate Service”,our business mainly focus on the distribution of electronic components. Line cards we deal with include Microchip,ALPS,ROHM,Xilinx,Pulse,ON,Everlight and Freescale. Main products comprise IC,Modules,Potentiometer,IC Socket,Relay,Connector.Our parts cover such applications as commercial,industrial, and automotives areas.

We are looking forward to setting up business relationship with you and hope to provide you with the best service and solution. Let us make a better world for our industry!



Contact us

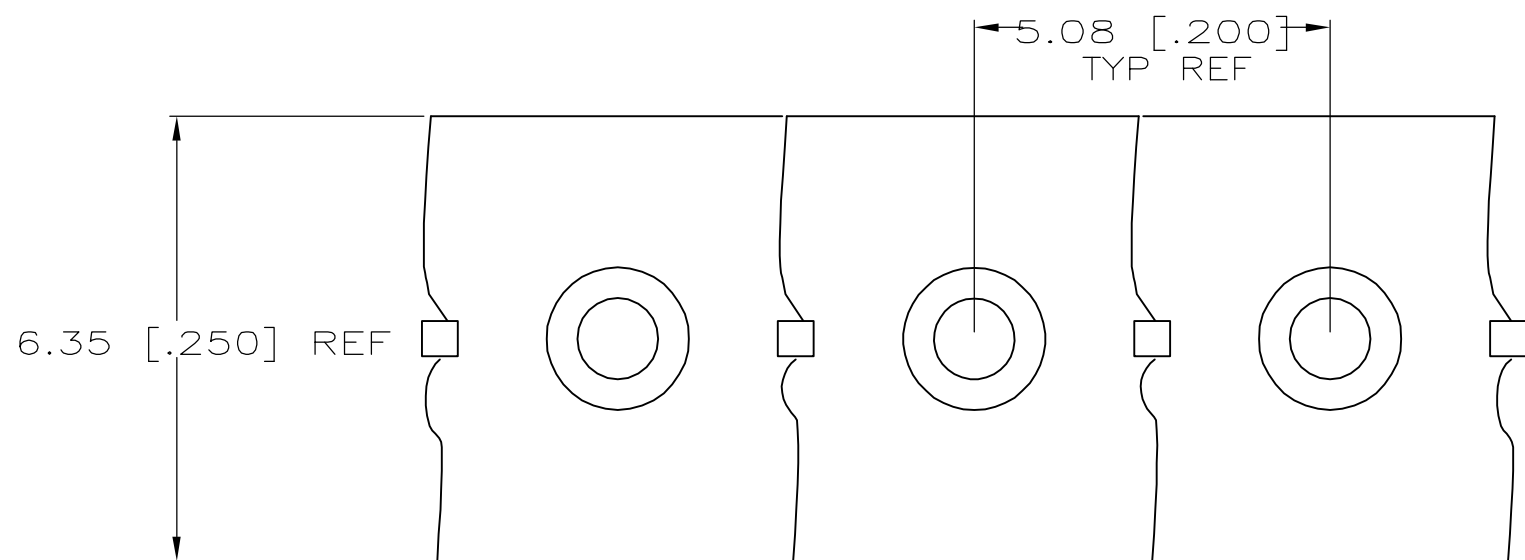
Tel: +86-755-8981 8866 Fax: +86-755-8427 6832

Email & Skype: info@chipsmall.com Web: www.chipsmall.com

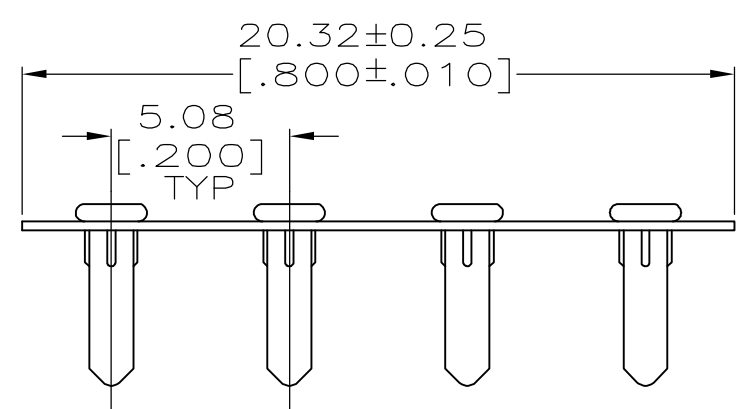
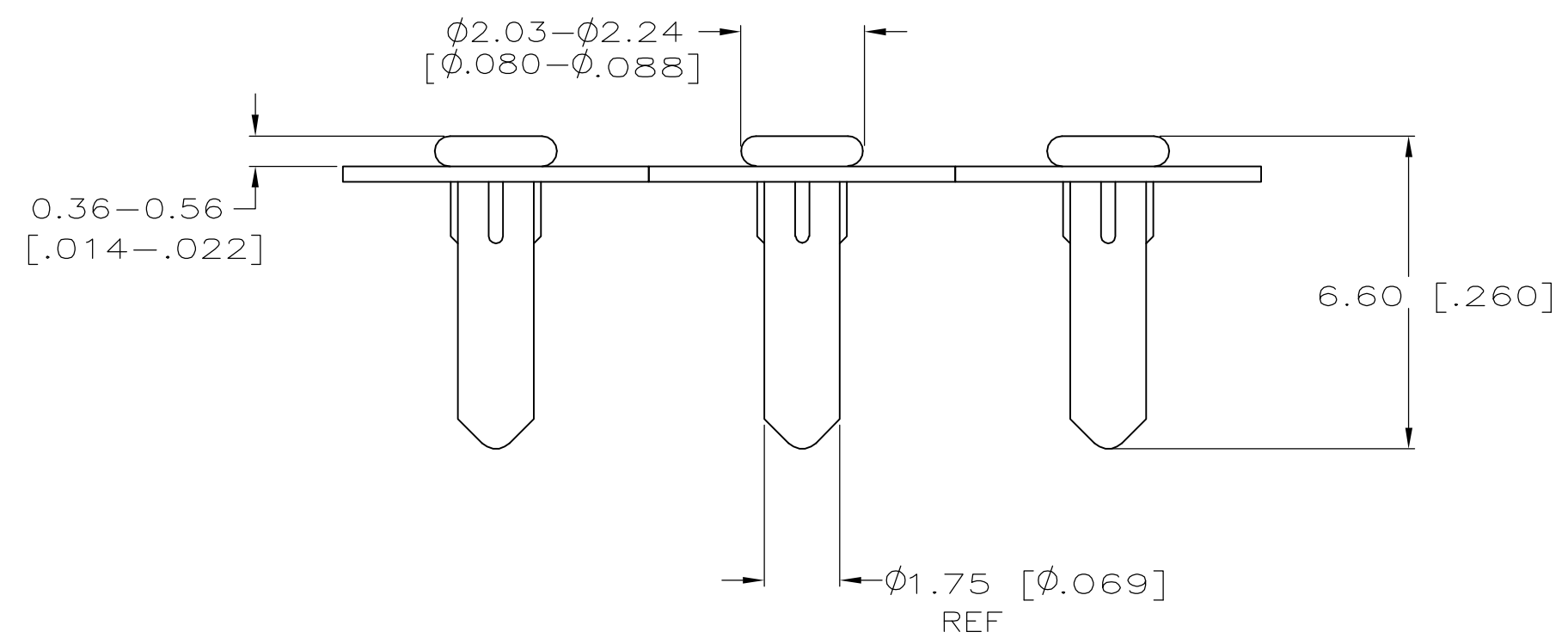
Address: A1208, Overseas Decoration Building, #122 Zhenhua RD., Futian, Shenzhen, China



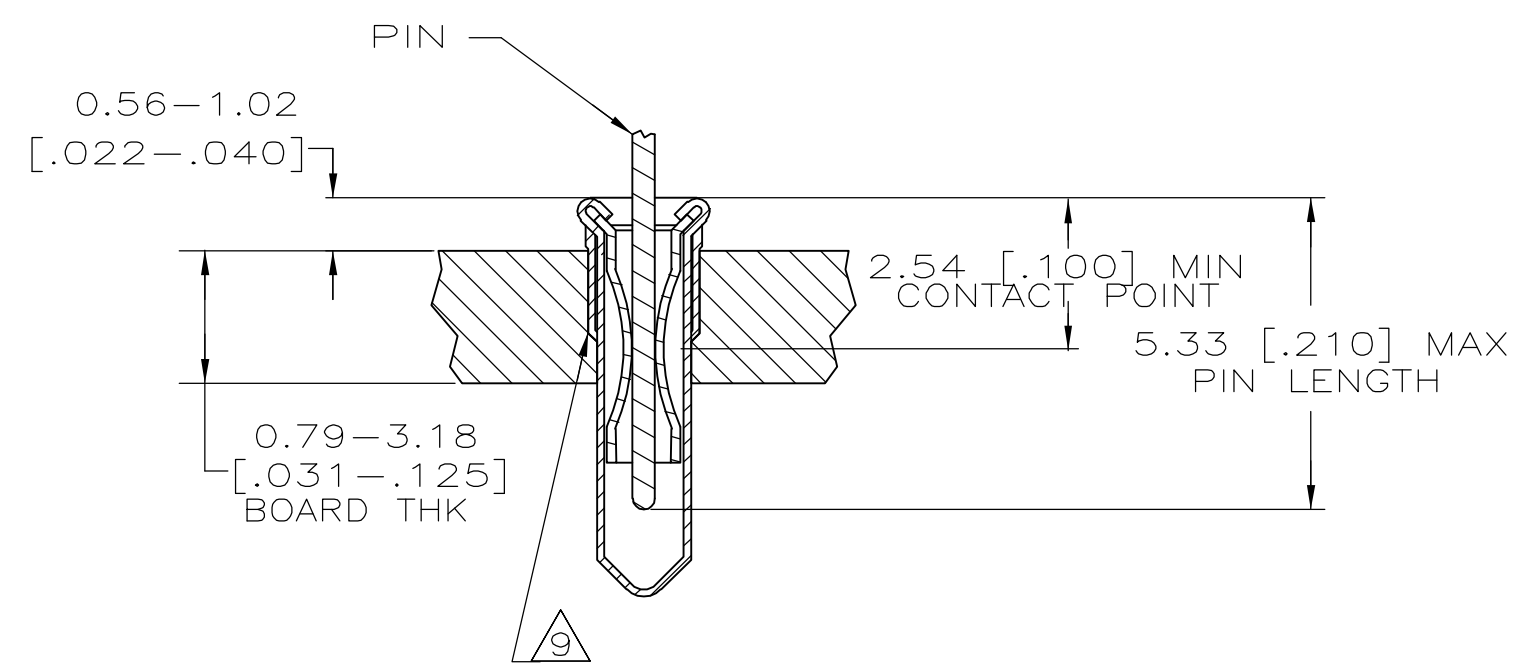
| LOC | DIST | REVISIONS | | | | | |
|-----|------|-----------|-----|---------------------------|---------|-----|------|
| AG | 53 | P | LTR | DESCRIPTION | DATE | DWN | APVD |
| | | F2 | | REVISED PER ECO-06-018765 | 13APR07 | DH | DB |



- 1 MATERIAL:
EYELET- COPPER(QQ-C-576)
SPRING- BERYLLIUM-COPPER (QQ-C-533)
- 2 TIN PLATE (MIL-T-10727) 0.00381 [.000150] MINIMUM THICKNESS.
- 3 TIN PLATE (MIL-T-10727) 0.00254 [.000100] MINIMUM THICKNESS.
- 4 GOLD PLATE (MIL-G-45204) 0.00076 [.000030] MINIMUM THICKNESS.
- 5 PACKAGE 50,000 PER REEL.
- 6 PACKAGE 10,000 PER REEL.
- 7 TO ENSURE 1/2 OZ MIN RETENTION, DO NOT EXCEED 0.50 [.002] DIFFERENCE IN PIN DIA WHEN CHANGING TO A SMALLER DIA PIN.
- 8 PACKAGE 200 PER POLY BAG. (4 SOCKETS PER ASSEMBLY).
- 9 SHOULDER ON SOCKET PROVIDES RETENTION IN THE P.C. BOARD. THE RECOMMENDED HOLE DIAMETER IS $\phi 1.75$ [$\phi 0.69$] MINIMUM, + 0.08 [.003] MAXIMUM PRIOR TO SOLDERING.



P/N 1-645502-3 8
 SCALE: 5/1



| | | | | | |
|----------|---|--|----------------------|-------|------------|
| OBSOLETE | 8 | $\phi 0.94-\phi 1.04$ [$\phi 0.37-\phi 0.41$] | GOLD 4 | TIN 2 | 1-645502-3 |
| | 6 | $\phi 0.94-\phi 1.04$ [$\phi 0.37-\phi 0.41$] | TIN 3 | TIN 2 | 1-645502-2 |
| OBSOLETE | 6 | $\phi 0.94-\phi 1.04$ [$\phi 0.37-\phi 0.41$] | GOLD 4 | TIN 2 | 1-645502-1 |
| OBSOLETE | 5 | $\phi 0.94-\phi 1.04$ [$\phi 0.37-\phi 0.41$] | GOLD 4 | TIN 2 | 645502-1 |
| | | PIN DIA 7 | SPRING EYELET FINISH | | PART NO |

| | | | | |
|--|--|-------------------------------|--|--------------------|
| THIS DRAWING IS A CONTROLLED DOCUMENT. | | DWN K.SALMON 3-9-90 | tyco Electronics Tyco Electronics Corporation Harrisburg, PA 17105-3608 | |
| DIMENSIONS: mm [INCHES] | | CHK R.MILLER 3-13-90 | NAME MINIATURE SPRING SOCKET ASSY SERIES 4 | |
| TOLERANCES UNLESS OTHERWISE SPECIFIED: | | APVD ER.RALSTON 3-14-90 | PRODUCT SPEC 108-14008 | |
| 0 PLC ± - | | APPLICATION SPEC 114-26004 | SIZE A2 | CAGE CODE 00779 |
| 1 PLC ± - | | WEIGHT - | DRAWING NO 645502 | RESTRICTED TO - |
| 2 PLC ± - | | CUSTOMER DRAWING | | |
| 3 PLC ± ± 0.20[.008] | | SCALE 10:1 | SHEET 1 of 1 | REV F2 |
| 4 PLC ± ± - | | | | |
| ANGLES ± ± - | | | | |
| FINISH SEE TABLE | | | | |