



Chipsmall Limited consists of a professional team with an average of over 10 year of expertise in the distribution of electronic components. Based in Hongkong, we have already established firm and mutual-benefit business relationships with customers from,Europe,America and south Asia,supplying obsolete and hard-to-find components to meet their specific needs.

With the principle of “Quality Parts,Customers Priority,Honest Operation,and Considerate Service”,our business mainly focus on the distribution of electronic components. Line cards we deal with include Microchip,ALPS,ROHM,Xilinx,Pulse,ON,Everlight and Freescale. Main products comprise IC,Modules,Potentiometer,IC Socket,Relay,Connector.Our parts cover such applications as commercial,industrial, and automotives areas.

We are looking forward to setting up business relationship with you and hope to provide you with the best service and solution. Let us make a better world for our industry!



## Contact us

Tel: +86-755-8981 8866 Fax: +86-755-8427 6832

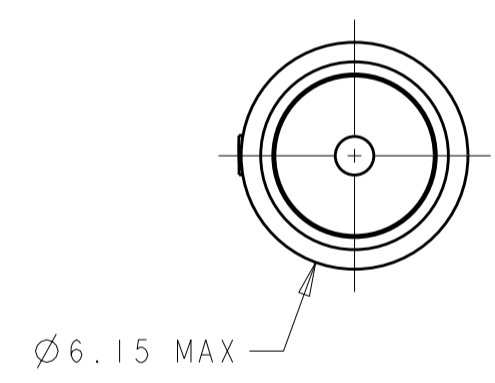
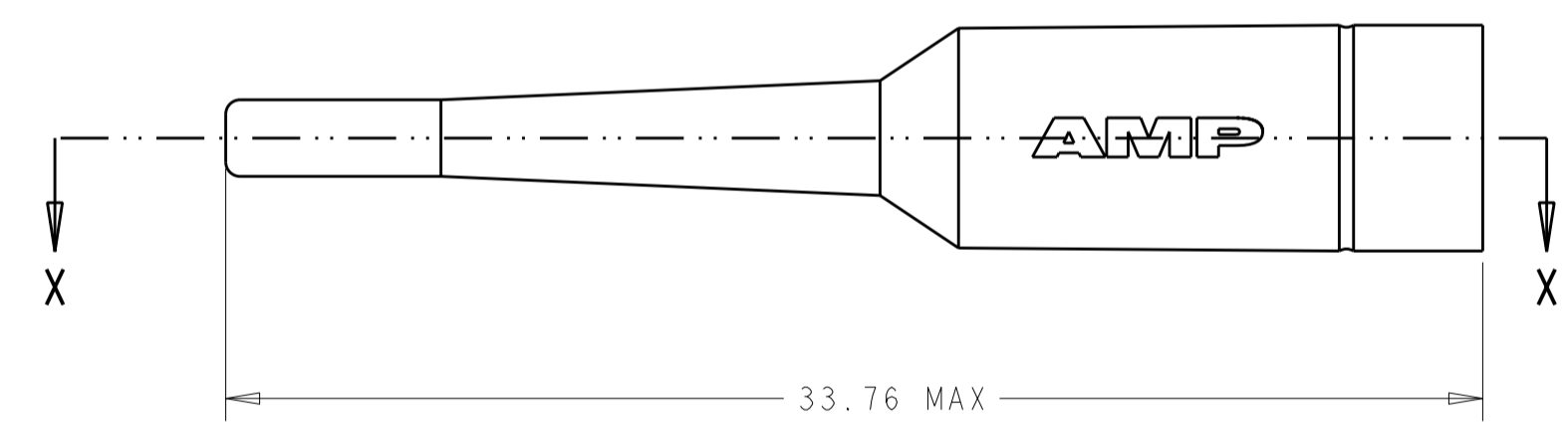
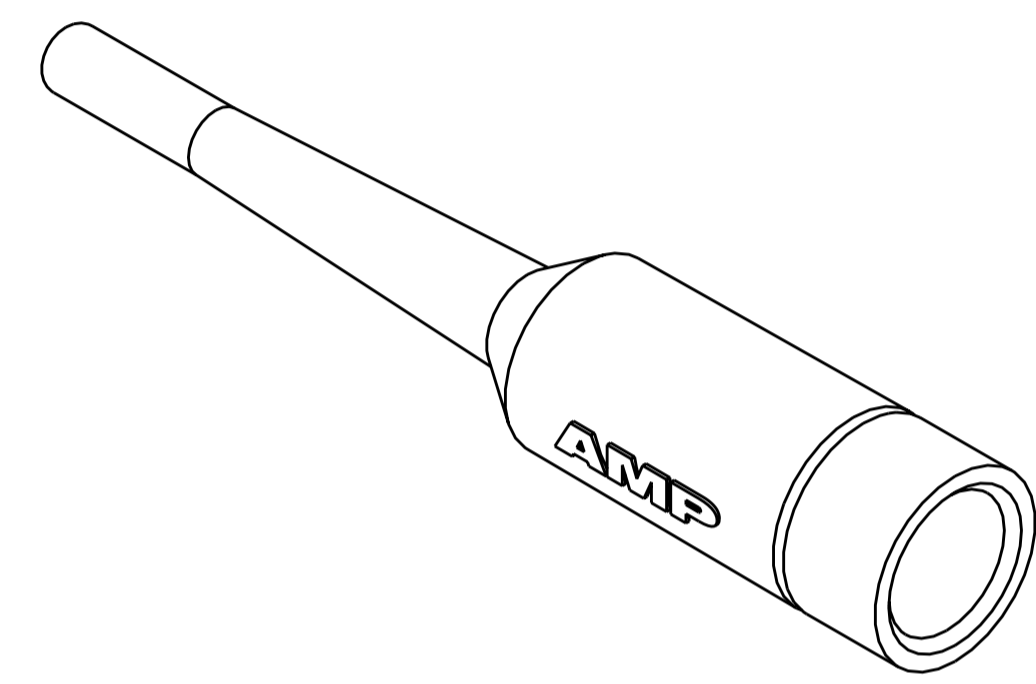
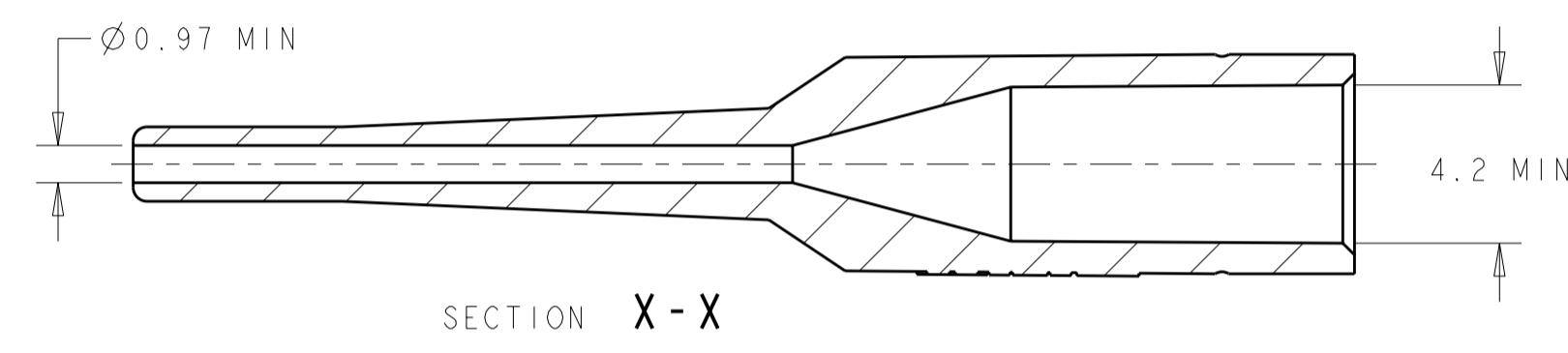
Email & Skype: info@chipsmall.com Web: www.chipsmall.com

Address: A1208, Overseas Decoration Building, #122 Zhenhua RD., Futian, Shenzhen, China



THIS DRAWING IS UNPUBLISHED. RELEASED FOR PUBLICATION 20  
 © COPYRIGHT 20 BY TYCO ELECTRONICS CORPORATION. ALL RIGHTS RESERVED.

LOC	DIST	REVISIONS			
P	LTR	DESCRIPTION	DATE	DWN	APVD
CE	00				
	C	ECR-05-009395	22AUG2005	EJH	SB
	D	REVISE PER ECR-06-029880	09JAN2007	BB	SM



1 MATERIAL: TPE, UL94 V-0 RATED AT QUALIFYING THICKNESS. SEE DASH NUMBER FOR COLOR.

2 NO AMP LOGO.

2	AQUA	1-6457493-8
	AQUA	1-6457493-7
2	GREEN	1-6457493-6
	GREEN	1-6457493-5
2	WHITE	1-6457493-4
2	BEIGE	6457493-9
2	BLUE	6457493-8
	YELLOW	6457493-5
	RED	6457493-4
	BLACK	6457493-3
	BLUE	6457493-1
	COLOR	PART NUMBER

DIMENSIONS:		TOLERANCES UNLESS OTHERWISE SPECIFIED:		DWN	26 JAN 2005	AMP Tyco Electronics Harrisburg, PA 17105-3608
mm		0 PLC	±	E. HOPKINS		
		1 PLC	±	CHK D. ERDMAN	26 JAN 2005	
		2 PLC	±	APVD S. BUCHTER	26 JAN 2005	
		3 PLC	±			
		4 PLC	±			
		ANGLES	±2°			
		FINISH				
MATERIAL						NAME
						BOOT, BARE BUFFER, SC/FC
						SIZE
						A2
						CAGE CODE
						00779
						DRAWING NO
						6457493
						RESTRICTED TO
						-
						SCALE
						5:1
						SHEET
						1
						OF
						1
						REV
						D