



Chipsmall Limited consists of a professional team with an average of over 10 year of expertise in the distribution of electronic components. Based in Hongkong, we have already established firm and mutual-benefit business relationships with customers from,Europe,America and south Asia,supplying obsolete and hard-to-find components to meet their specific needs.

With the principle of “Quality Parts,Customers Priority,Honest Operation,and Considerate Service”,our business mainly focus on the distribution of electronic components. Line cards we deal with include Microchip,ALPS,ROHM,Xilinx,Pulse,ON,Everlight and Freescale. Main products comprise IC,Modules,Potentiometer,IC Socket,Relay,Connector.Our parts cover such applications as commercial,industrial, and automotives areas.

We are looking forward to setting up business relationship with you and hope to provide you with the best service and solution. Let us make a better world for our industry!



## Contact us

Tel: +86-755-8981 8866 Fax: +86-755-8427 6832

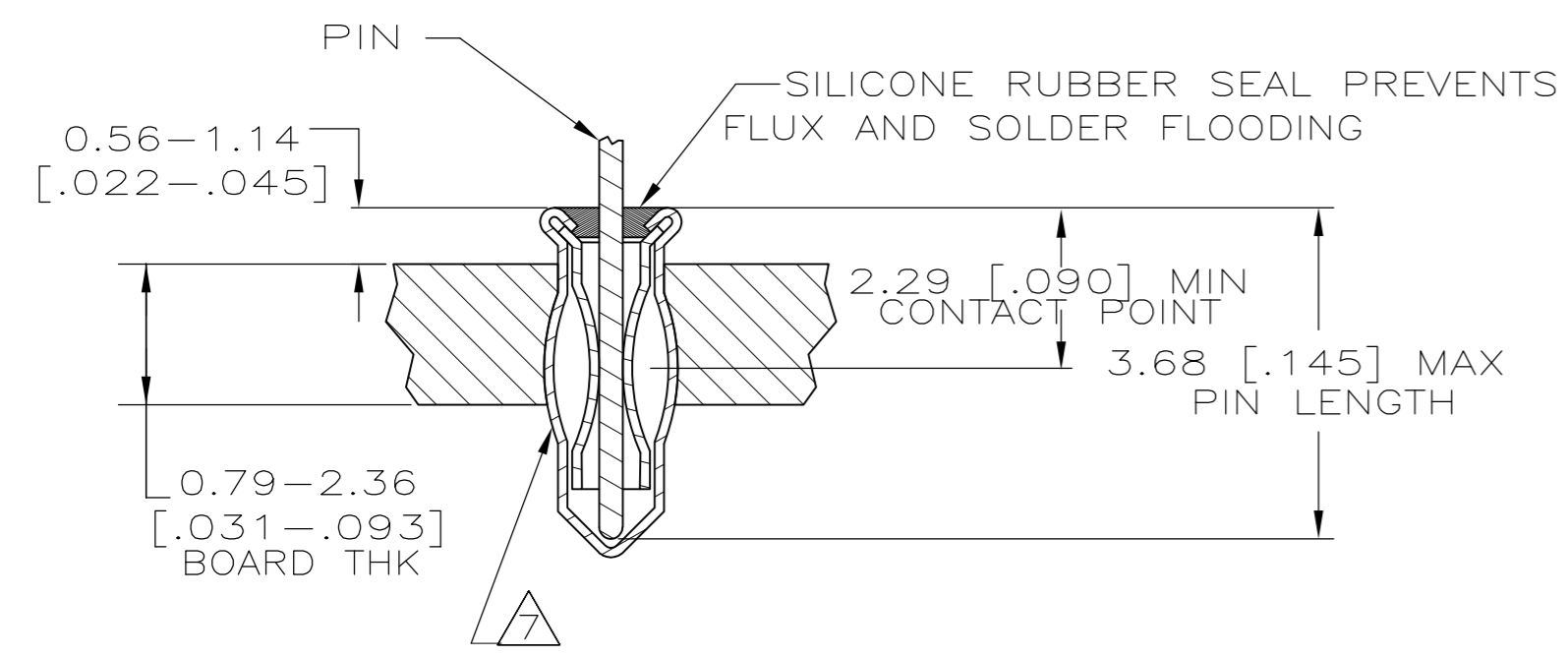
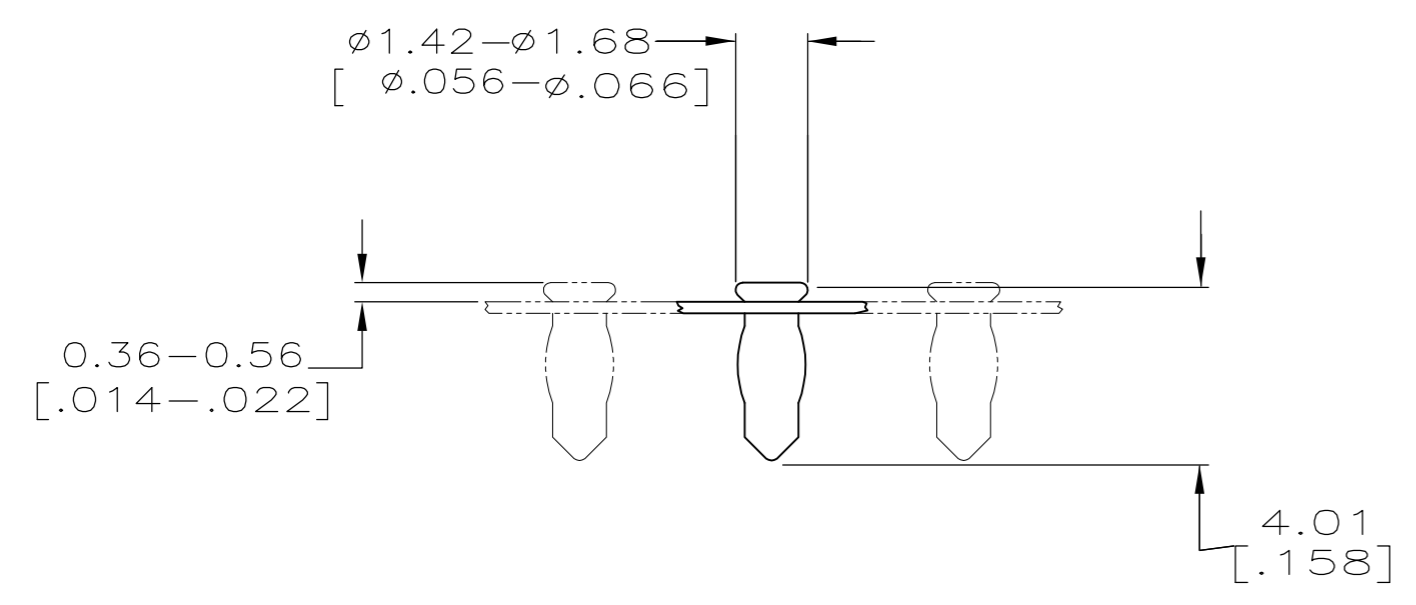
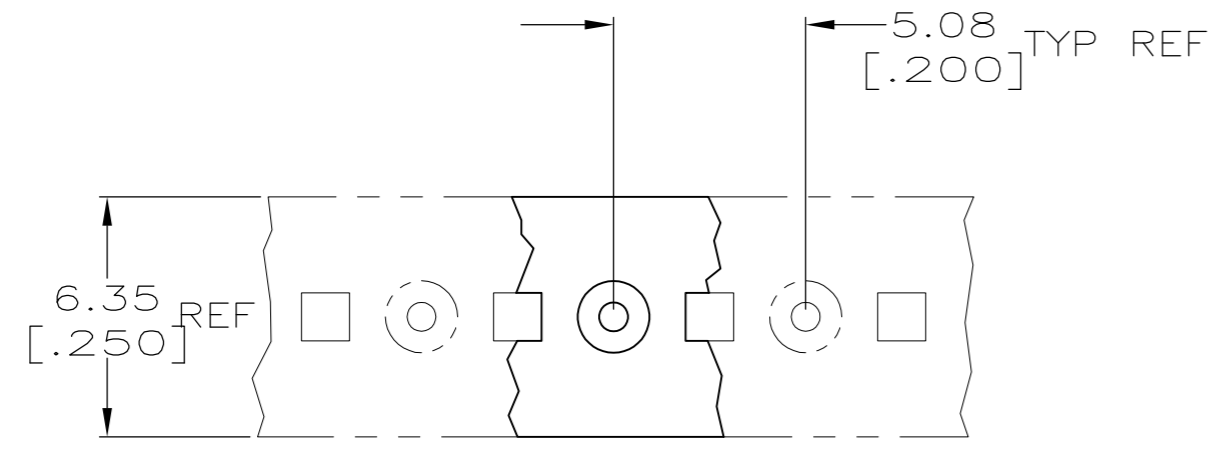
Email & Skype: info@chipsmall.com Web: www.chipsmall.com

Address: A1208, Overseas Decoration Building, #122 Zhenhua RD., Futian, Shenzhen, China



THIS DRAWING IS UNPUBLISHED. RELEASED FOR PUBLICATION  
 © COPYRIGHT - By - ALL RIGHTS RESERVED.

LOC		DIST		REVISIONS			
P	LTR	DESCRIPTION		DATE	DWN	APVD	
AG	00	G3	REVISED PER ECO-13-007818	09MAY2013	KH	AS	



- 1 MATERIAL:  
 EYELET - COPPER (QQ-C-576)  
 SPRING - BERYLLIUM COPPER (QQ-C-533)  
 SEALANT - SILICONE RUBBER
- 2 TIN PLATE (MIL-T-10727)0.00381 [.000150] MIN THK.
- 3 TIN PLATE(MIL-T-10727)0.00254 [.000100] MIN THK.
- 4 GOLD PL(MIL-G-45204)0.00076 [.000030] MIN THK ON CONTACT AREA.
- 5 PACKAGED 50,000 PER REEL
- 6 TO INSURE 1/2 OZ MIN RETENTION DO NOT EXCEED 0.10 [.004] DIFFERENCE IN PIN DIA WHEN CHANGING TO A SMALLER DIA PIN
- 7 PRODUCT IS OVALIZED FOR RETENTION IN THE P.C. BOARD. THE RECOMMENDED HOLE DIAMETER IS  $\phi 1.07$  [ $\phi .042$ ] MINIMUM, +0.08 [.003] MAX. PRIOR TO SOLDERING.
- 8 TIN-LEAD PLATE 0.00381 [.000150] MIN THK.
- 9 PACKAGED 10,000 PER REEL

OBSOLETE	2.29-3.68 [.090-.145]	$\phi 0.38-\phi 0.53$ [ $\phi .015-\phi .021$ ]	GOLD 4	TIN 2	5	1-645947-7
OBSOLETE	2.29-3.68 [.090-.145]	$\phi 0.38-\phi 0.53$ [ $\phi .015-\phi .021$ ]	GOLD 4	TIN 8	9	1-645947-6
OBSOLETE	2.29-3.68 [.090-.145]	$\phi 0.30-\phi 0.46$ [ $\phi .012-\phi .018$ ]	GOLD 4	TIN 2	9	1-645947-5
OBSOLETE	2.29-3.68 [.090-.145]	$\phi 0.30-\phi 0.46$ [ $\phi .012-\phi .018$ ]	TIN 3	TIN 2	9	1-645947-4
OBSOLETE	2.29-3.68 [.090-.145]	$\phi 0.38-\phi 0.53$ [ $\phi .015-\phi .021$ ]	GOLD 4	TIN 2	9	1-645947-2
OBSOLETE	2.29-3.68 [.090-.145]	$\phi 0.38-\phi 0.53$ [ $\phi .015-\phi .021$ ]	TIN 3	TIN 2		1-645947-1
OBSOLETE	2.29-3.68 [.090-.145]	$\phi 0.38-\phi 0.53$ [ $\phi .015-\phi .021$ ]	GOLD 4	TIN 2	5	645947-2
SUPERSEDED BY 5645947-1	2.29-3.68 [.090-.145]	$\phi 0.38-\phi 0.53$ [ $\phi .015-\phi .021$ ]	TIN 3	TIN 2	5	645947-1
	LENGTH	DIA	FINISH			PART NO
			SPRING	EYELET		

THIS DRAWING IS A CONTROLLED DOCUMENT.

DWN M.BOWERS 12-20-82	 TE Connectivity
CHK P.MUTZABAUGH 6-10-85	
APVD G.MILLER 6-10-85	
PRODUCT SPEC	
NAME	MINIATURE SPRING SOCKET ASSY SERIES 1 SHORT WITH SEALANT
APPLICATION SPEC	SIZE A2 CAGE CODE 00779 DRAWING NO C-645947 RESTRICTED TO -
WEIGHT -	SCALE NTS SHEET 1 OF 1 REV G3
CUSTOMER DRAWING	

DIMENSIONS:	TOLERANCES UNLESS OTHERWISE SPECIFIED:
mm [INCHES]	
0 PLC	± -
1 PLC	± -
2 PLC	± -
3 PLC	± 0.20[.008]
4 PLC	± -
ANGLES	± -
MATERIAL	FINISH
1	SEE TABLE