



Chipsmall Limited consists of a professional team with an average of over 10 year of expertise in the distribution of electronic components. Based in Hongkong, we have already established firm and mutual-benefit business relationships with customers from,Europe,America and south Asia,supplying obsolete and hard-to-find components to meet their specific needs.

With the principle of “Quality Parts,Customers Priority,Honest Operation,and Considerate Service”,our business mainly focus on the distribution of electronic components. Line cards we deal with include Microchip,ALPS,ROHM,Xilinx,Pulse,ON,Everlight and Freescale. Main products comprise IC,Modules,Potentiometer,IC Socket,Relay,Connector.Our parts cover such applications as commercial,industrial, and automotives areas.

We are looking forward to setting up business relationship with you and hope to provide you with the best service and solution. Let us make a better world for our industry!



Contact us

Tel: +86-755-8981 8866 Fax: +86-755-8427 6832

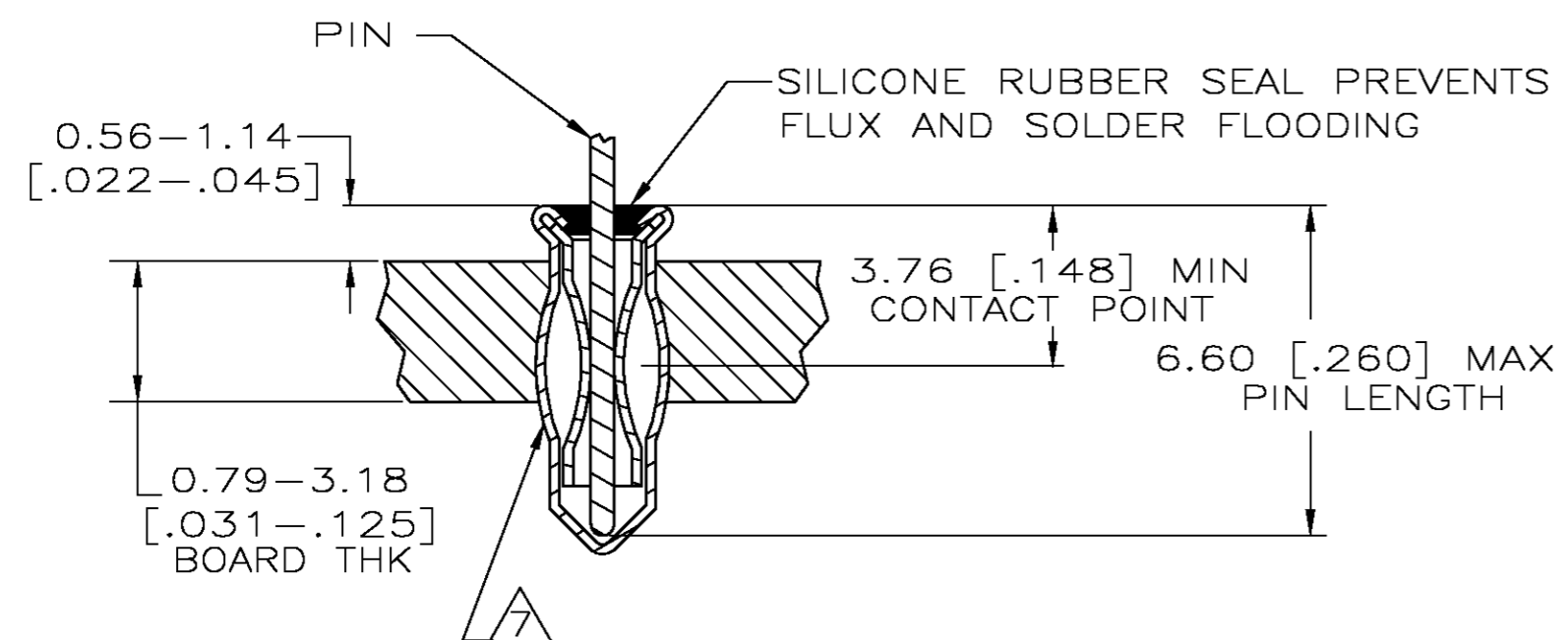
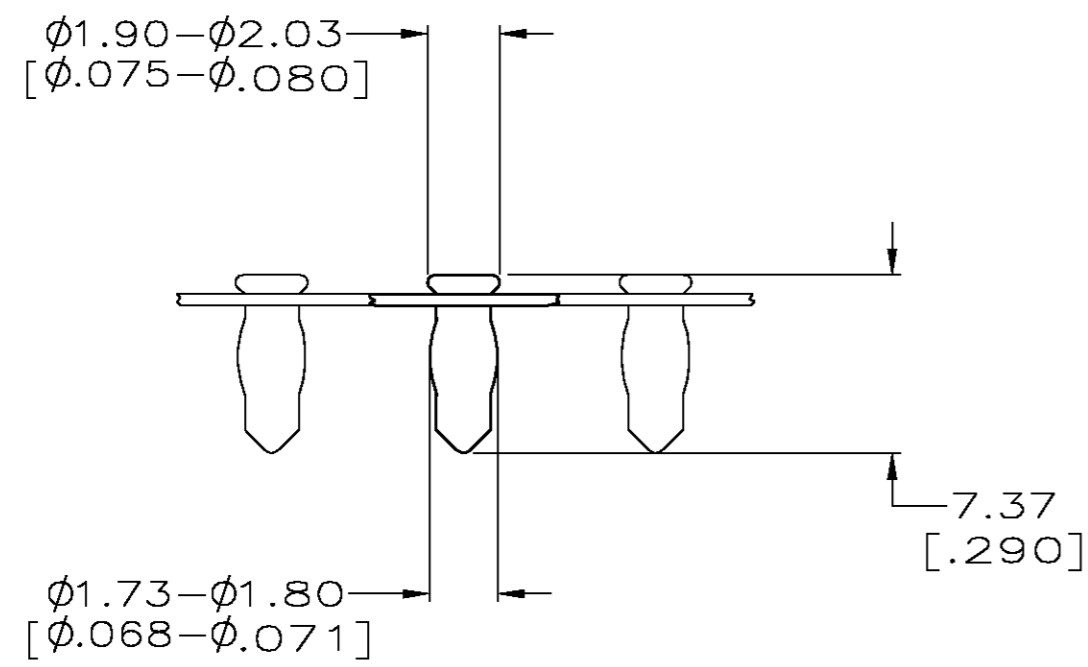
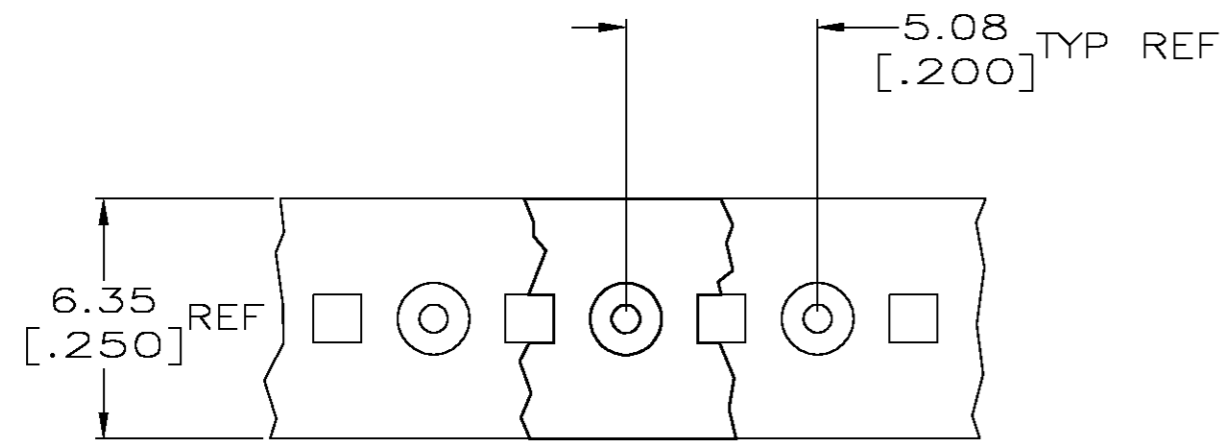
Email & Skype: info@chipsmall.com Web: www.chipsmall.com

Address: A1208, Overseas Decoration Building, #122 Zhenhua RD., Futian, Shenzhen, China



THIS DRAWING IS UNPUBLISHED. RELEASED FOR PUBLICATION
 © COPYRIGHT BY TYCO ELECTRONICS CORPORATION. ALL RIGHTS RESERVED.

LOC		DIST		REVISIONS			
GP	00	P	LTR	DESCRIPTION	DATE	DWN	APVD
		E		REVISED PER OS11-0088-03	6-4-03	JB	KK



- 1 MATERIAL:
EYELET - COPPER (QQ-C-576)
SPRING - BERYLLIUM COPPER (QQ-C-533)
SEALANT - SILICONE RUBBER
- 2 TIN PLATE (MIL-T-10727)0.00381 [.000150] MIN THK.
- 3 TIN PLATE(MIL-T-10727)0.00254 [.000100] MIN THK.
- 4 GOLD PL(MIL-G-45204)0.00076 [.000030] MIN THK ON CONTACT AREA.
- 5 PACKAGED 50,000 PER REEL
- 6 TO INSURE 1/2 OZ MIN RETENTION DO NOT EXCEED 0.10 [.004] DIFFERENCE IN PIN DIA WHEN CHANGING TO A SMALLER DIA PIN
- 7 PRODUCT IS OVALIZED FOR RETENTION IN THE P.C. BOARD. THE RECOMMENDED HOLE DIAMETER IS $\phi 1.57$ [$\phi 0.062$] MINIMUM, +0.08 [.003] MAX. PRIOR TO SOLDERING.
- 8 PACKAGED 10,000 PER REEL
- 9 TIN PER ASTM B 545, 0.00254 [.000100] MIN THK.

3.76-6.60 [.148-.260]	$\phi 0.71 - \phi 0.84$ [$\phi 0.028 - \phi 0.033$]	TIN 9	TIN 9	8 6-645986-1
3.76-6.60 [.148-.260]	$\phi 0.71 - \phi 0.84$ [$\phi 0.028 - \phi 0.033$]	GOLD 4	TIN 2	8 1-645986-2
3.76-6.60 [.148-.260]	$\phi 0.71 - \phi 0.84$ [$\phi 0.028 - \phi 0.033$]	TIN 3	TIN 2	8 1-645986-1
3.76-6.60 [.148-.260]	$\phi 0.71 - \phi 0.84$ [$\phi 0.028 - \phi 0.033$]	GOLD 4	TIN 2	5 645986-2
3.76-6.60 [.148-.260]	$\phi 0.71 - \phi 0.84$ [$\phi 0.028 - \phi 0.033$]	TIN 3	TIN 2	5 645986-1
LENGTH	DIA 6	EYELET	SPRING	PART NO.
PIN		FINISH		

THIS DRAWING IS A CONTROLLED DOCUMENT.

DWN D.HOLLINGSWORTH 1-24-85	Tyco Electronics Corporation
CHK P.MUTZABAUGH 3-4-85	
APVD -	NAME
PRODUCT SPEC -	MINIATURE SPRING SOCKET ASSY SERIES 3 WITH SEALANT
APPLICATION SPEC -	SIZE A2
WEIGHT -	CAGE CODE 00779
	DRAWING NO 645986
	RESTRICTED TO -
	SCALE 10:1
	SHEET 1 OF 1
	REV E

CUSTOMER DRAWING