



Chipsmall Limited consists of a professional team with an average of over 10 year of expertise in the distribution of electronic components. Based in Hongkong, we have already established firm and mutual-benefit business relationships with customers from,Europe,America and south Asia,supplying obsolete and hard-to-find components to meet their specific needs.

With the principle of “Quality Parts,Customers Priority,Honest Operation,and Considerate Service”,our business mainly focus on the distribution of electronic components. Line cards we deal with include Microchip,ALPS,ROHM,Xilinx,Pulse,ON,Everlight and Freescale. Main products comprise IC,Modules,Potentiometer,IC Socket,Relay,Connector.Our parts cover such applications as commercial,industrial, and automotives areas.

We are looking forward to setting up business relationship with you and hope to provide you with the best service and solution. Let us make a better world for our industry!



Contact us

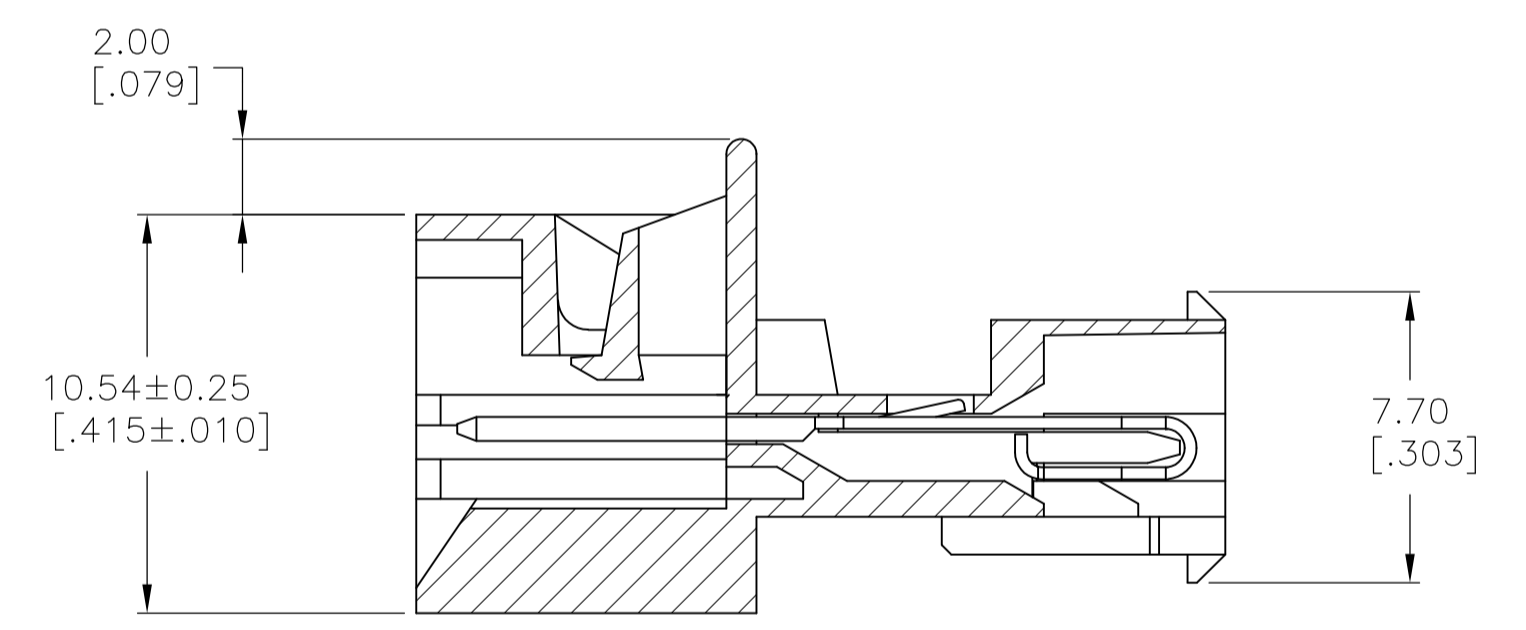
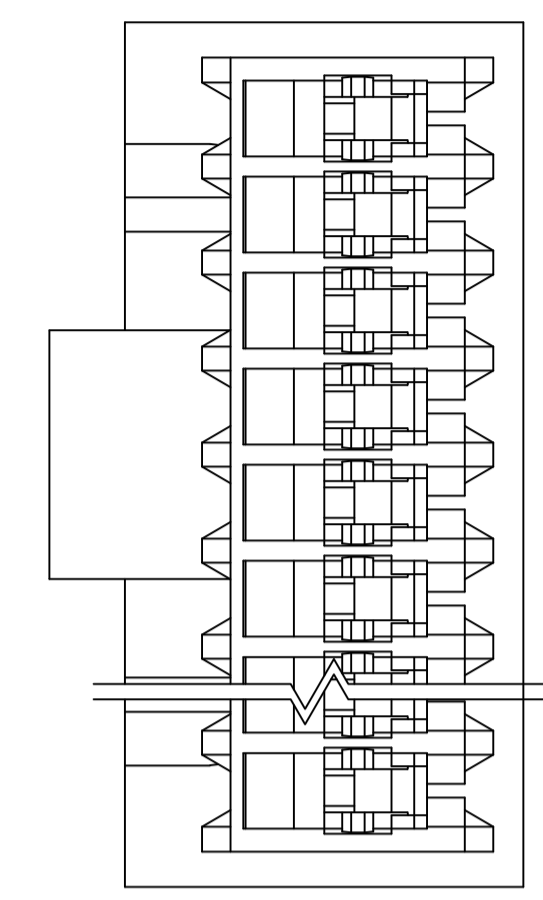
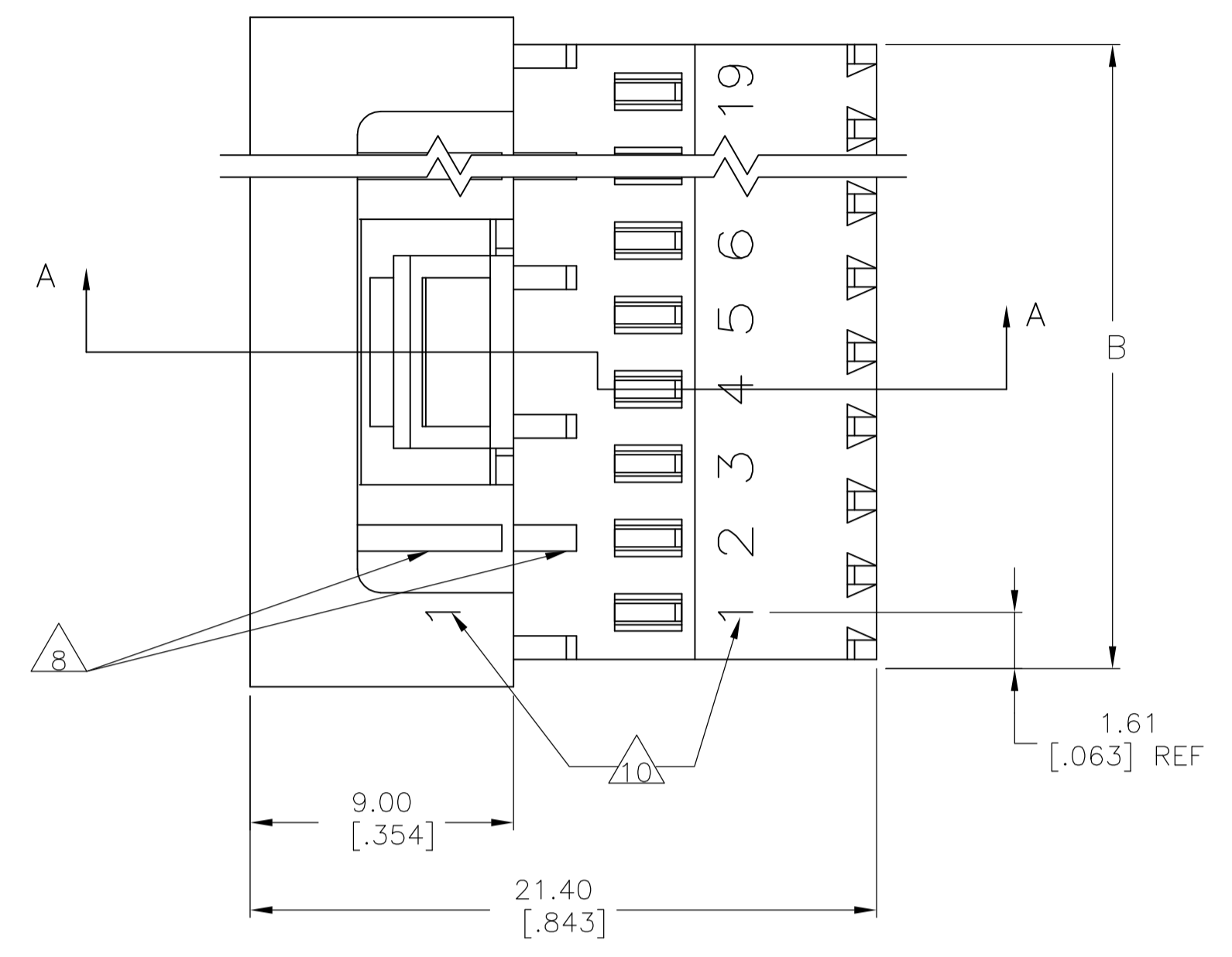
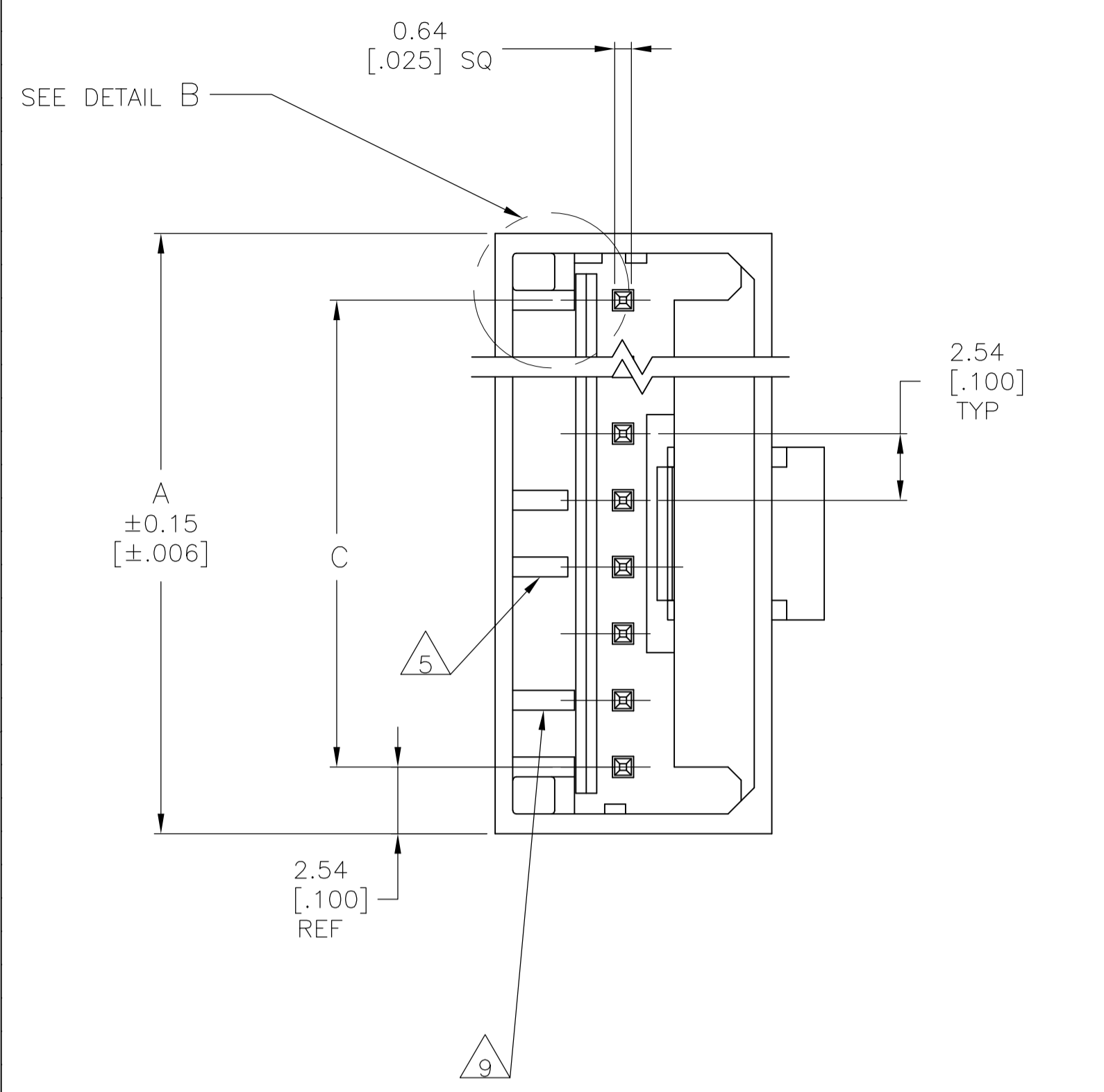
Tel: +86-755-8981 8866 Fax: +86-755-8427 6832

Email & Skype: info@chipsmall.com Web: www.chipsmall.com

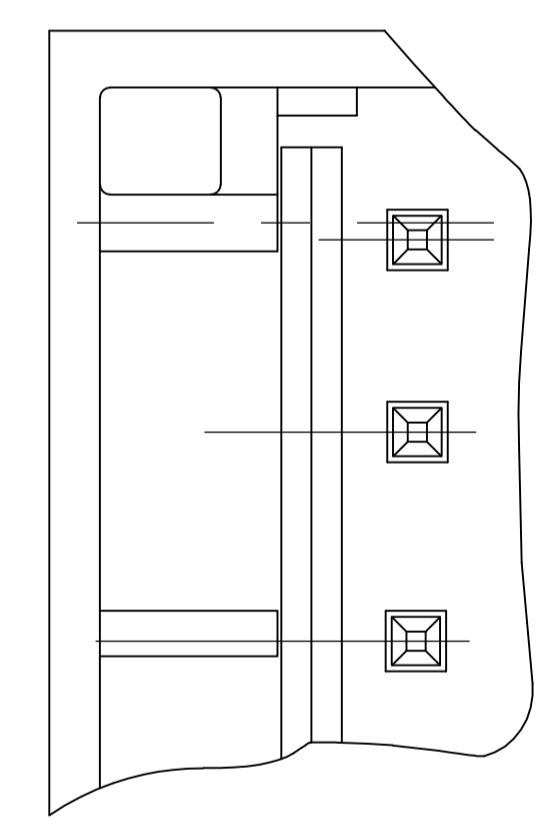
Address: A1208, Overseas Decoration Building, #122 Zhenhua RD., Futian, Shenzhen, China



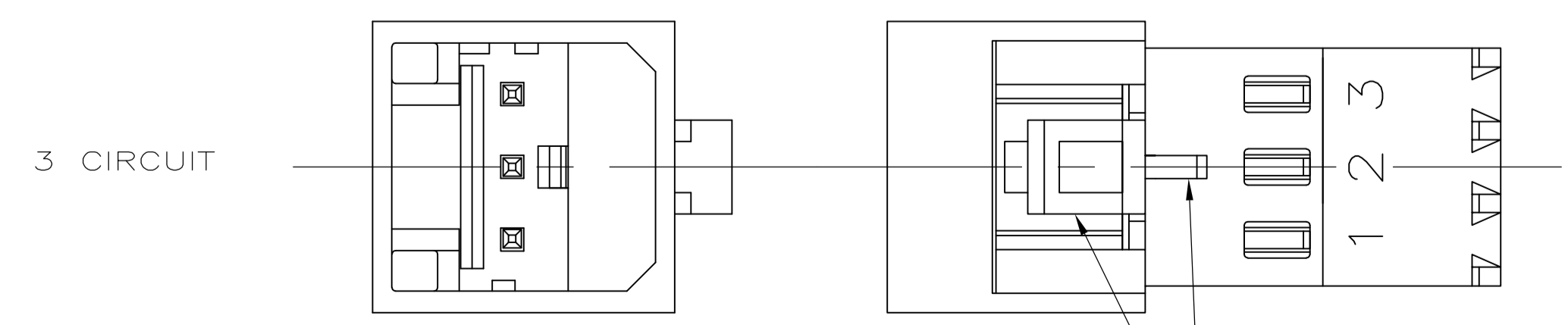
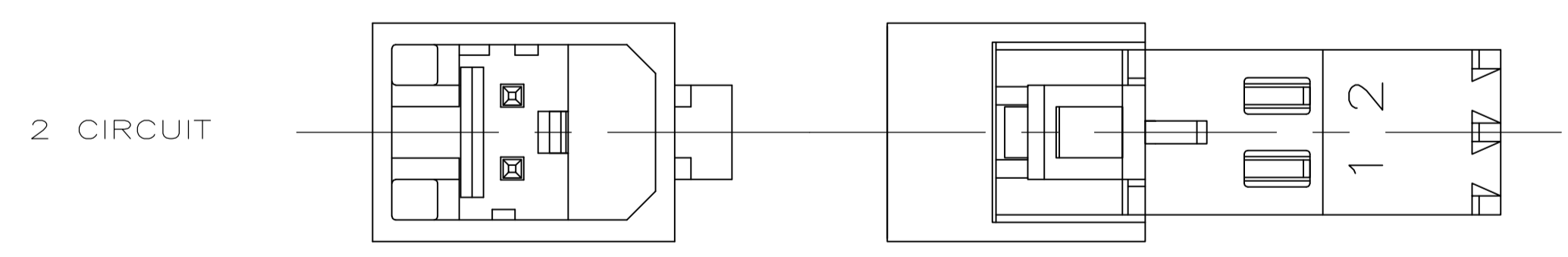
LOC		DIST		REVISIONS			
P	LTR	DATE	DMN	APVD			
G	REVISED PER ECO-12-007492	03AUG12	KH	SM			



SECTION A-A



DETAIL B
SCALE 10:1
ALTERNATE CONFIGURATION

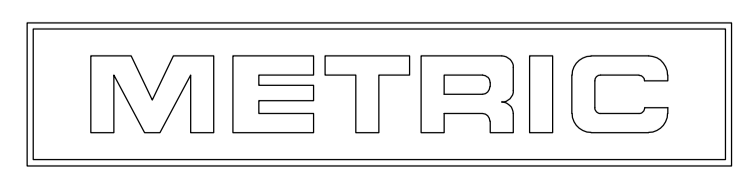


DETAIL A ³

- ¹ MATERIAL:
HOUSING- NYLON UL94V-2 .
CONTACTS- 0.30 [.012] THK COPPER ALLOY
PLATING : BRIGHT TIN-LEAD FOR 0.00203[.000080] MIN THK 647000-2 THRU 1-647000-9 OR MATTE TIN 0.00203[.000080] MIN THK. FOR 3-647000-2 THRU 4-647000-9.
- ² CONTACTS ACCEPT 22 AWG (0.3 - 0.4 mm²) TIN PLATED SOLID, CONCENTRIC FUSED STRANDED, OR CONCENTRIC STRANDED (7 AND 19 STRAND) WIRE WITH 1.52 [.060] MAX INSULATION DIAMETER.
- ³ MATES WITH STANDARD MTA-100 CONNECTORS: OF THE SAME CIRCUIT SIZES WITH SIMILARLY PLATED CONTACTS WITH POLARIZING TABS-CIRCUIT SIZES 4-19 ONLY WITHOUT POLARIZING TABS-CIRCUIT SIZES 2 & 3.

DOES NOT MATE WITH MTA-100 CONNECTORS: WITH POLARIZING TABS-CIRCUIT SIZES 2 & 3 ONLY. (SEE DETAIL A) WITH BLOCKED CIRCUITS -ALL CIRCUIT SIZES. NOT RECOMMENDED FOR MATING WITH MTA-100 CONNECTOR WITHOUT POLARIZING TABS. CIRCUIT SIZES 4-19.
- ⁴ ACCESSORIES:
REPLACEMENT IDC CONTACTS: 647030-1.
COVERS: SEE TABLE
- ⁵ QUANTITY OF CENTRALLY POSITIONED RAILS VARIES WITH CIRCUIT SIZE. (SEE TABLE) LOCATION MAY DIFFER FROM EXAMPLE SHOWN.
- ⁶ DIMENSIONS IN BRACKETS ARE IN INCHES.
- ⁷ SIMILAR SIZED LOCK AND SINGLE TAB USED OR CIRCUITS 4 & 5.
- ⁸ QUANTITY OF GUSSET RIBS VARIES WITH CIRCUIT SIZE (SEE TABLE). LOCATION MAY DIFFER FROM EXAMPLE SHOWN.
- ⁹ INNER END RAIL PAIR NOT PRESENT FOR CIRCUIT SIZES 2 OR 3.
- ¹⁰ CIRCUIT ID MAY APPEAR FULLY NUMBERED OR SHOWING LOCATION 1 ONLY DEPENDING ON CIRCUIT SIZE.
- ¹¹ OBSOLETE PARTS: OBSOLETE CIS STREAMLINING PER D.RENAUD/D.SINISI
- ¹² RED COLOR STRIPE ON HOUSING (NOT SHOWN) MAY RUN DOWN BETWEEN RIBS.

THIS DRAWING IS A CONTROLLED DOCUMENT.		DIN R. LEWIS 28APR97	TE Connectivity
DIMENSIONS: mm [INCHES]		CHK R. SWING 28APR97	
TOLERANCES UNLESS OTHERWISE SPECIFIED:		APVD E. BEILES 28APR97	NAME MTA-100 POSTED CONNECTOR ASSEMBLY, CLOSED END, 22 AWG, TIN
0 PLC ± - 1 PLC ± - 2 PLC ± 0.20 [.007] 3 PLC ± - 4 PLC ± - ANGLES ± -		APPLICATION SPEC	RESTRICTED TO
MATERIAL ¹	FINISH ¹	WEIGHT	SIZE A1
CUSTOMER DRAWING		SCALE 5:1	SHEET 1 OF 2



1-640642-9	1-643077-9	4	2	45.72	1.800	48.95	1.927	50.80	2.000	19	4-647000-9		
1-640642-8	1-643077-8	4	2	43.18	1.700	46.41	1.827	48.26	1.900	18	4-647000-8		
1-640642-7	1-643077-7	4	2	40.64	1.600	43.87	1.727	45.72	1.800	17	4-647000-7		
1-640642-6	1-643077-6	4	2	38.10	1.500	41.33	1.627	43.18	1.700	16	4-647000-6		
1-640642-5	1-643077-5	4	2	35.56	1.400	38.79	1.527	40.64	1.600	15	4-647000-5		
1-640642-4	1-643077-4	4	2	33.02	1.300	36.25	1.427	38.10	1.500	14	4-647000-4		
1-640642-3	1-643077-3	4	2	30.48	1.200	33.71	1.327	35.56	1.400	13	4-647000-3		
1-640642-2	1-643077-2	2	1	27.94	1.100	31.17	1.227	33.02	1.300	12	4-647000-2		
1-640642-1	1-643077-1	2	1	25.40	1.000	28.63	1.127	30.48	1.200	11	4-647000-1		
1-640642-0	1-643077-0	2	1	22.86	.900	26.09	1.027	27.94	1.100	10	4-647000-0		
640642-9	643077-9	2	1	20.32	.800	23.55	.927	25.40	1.000	9	3-647000-9		
640642-8	643077-8	2	0	17.78	.700	21.01	.827	22.86	.900	8	3-647000-8		
640642-7	643077-7	0	0	15.24	.600	18.47	.727	20.32	.800	7	3-647000-7		
640642-6	643077-6	0	0	12.70	.500	15.93	.627	17.78	.700	6	3-647000-6		
640642-5	643077-5	0	0	10.16	.400	13.39	.527	15.24	.600	5	3-647000-5		
640642-4	643077-4	0	0	7.62	.300	10.85	.427	12.70	.500	4	3-647000-4		
640642-3	643077-3	0	0	5.08	.200	8.31	.327	10.16	.400	3	3-647000-3		
-	643077-2	0	0	2.54	.100	5.77	.227	7.62	.300	2	3-647000-2		
SUPERSEDED BY 4-647000-9	1-640642-9	1-643077-9	4	2	45.72	1.800	48.95	1.927	50.80	2.000	19	4-647000-9	
SUPERSEDED BY 4-647000-8	1-640642-8	1-643077-8	4	2	43.18	1.700	46.41	1.827	48.26	1.900	18	4-647000-8	
SUPERSEDED BY 4-647000-7	1-640642-7	1-643077-7	4	2	40.64	1.600	43.87	1.727	45.72	1.800	17	4-647000-7	
OBSOLETE BY 4-647000-5	1-640642-6	1-643077-6	4	2	38.10	1.500	41.33	1.627	43.18	1.700	16	4-647000-6	
SUPERSEDED BY 4-647000-5	1-640642-5	1-643077-5	4	2	35.56	1.400	38.79	1.527	40.64	1.600	15	4-647000-5	
SUPERSEDED BY 4-647000-4	1-640642-4	1-643077-4	4	2	33.02	1.300	36.25	1.427	38.10	1.500	14	4-647000-4	
SUPERSEDED BY 4-647000-3	1-640642-3	1-643077-3	4	2	30.48	1.200	33.71	1.327	35.56	1.400	13	4-647000-3	
SUPERSEDED BY 4-647000-2	1-640642-2	1-643077-2	2	1	27.94	1.100	31.17	1.227	33.02	1.300	12	4-647000-2	
SUPERSEDED BY 4-647000-1	1-640642-1	1-643077-1	2	1	25.40	1.000	28.63	1.127	30.48	1.200	11	4-647000-1	
	1-640642-0	1-643077-0	2	1	22.86	.900	26.09	1.027	27.94	1.100	10	4-647000-0	
	640642-9	643077-9	2	1	20.32	.800	23.55	.927	25.40	1.000	9	647000-9	
	640642-8	643077-8	2	0	17.78	.700	21.01	.827	22.86	.900	8	647000-8	
SUPERSEDED BY 3-647000-7	640642-7	643077-7	0	0	15.24	.600	18.47	.727	20.32	.800	7	647000-7	
	640642-6	643077-6	0	0	12.70	.500	15.93	.627	17.78	.700	6	647000-6	
	640642-5	643077-5	0	0	10.16	.400	13.39	.527	15.24	.600	5	647000-5	
	640642-4	643077-4	0	0	7.62	.300	10.85	.427	12.70	.500	4	647000-4	
	640642-3	643077-3	0	0	5.08	.200	8.31	.327	10.16	.400	3	647000-3	
	-	643077-2	0	0	2.54	.100	5.77	.227	7.62	.300	2	647000-2	
DUST COVER	STRAIN RELIEF COVERS	QTY OF GUSSET RIBS	QTY OF CENTRAL RAILS	MM	IN	MM	IN	MM	IN	NO. OF CIRCUITS	PART NO		
ACCESSORIES		8	5	C		B		A					

SUPERSEDED BY 4-647000-9
 SUPERSEDED BY 4-647000-8
 SUPERSEDED BY 4-647000-7
 OBSOLETE BY 4-647000-5
 SUPERSEDED BY 4-647000-3
 SUPERSEDED BY 4-647000-1
 SUPERSEDED BY 3-647000-7

METRIC

THIS DRAWING IS A CONTROLLED DOCUMENT. DIN B LEWIS 28APR97
 CJK R SWING 28APR97
 F BEILES 28APR97

MTA-100 POSTED CONNECTOR ASSEMBLY, CLOSED END, 22 AWG, TIN

MTA-100 POSTED CONNECTOR ASSEMBLY, CLOSED END, 22 AWG, TIN

SIZE: A1 CAGE CODE: 00779 DRAWING NO: 647000
 WEIGHT: - RESTRICTED TO: -
 CUSTOMER DRAWING SCALE: 1:1 SHEET 2 OF 2 REV G