



Chipsmall Limited consists of a professional team with an average of over 10 year of expertise in the distribution of electronic components. Based in Hongkong, we have already established firm and mutual-benefit business relationships with customers from,Europe,America and south Asia,supplying obsolete and hard-to-find components to meet their specific needs.

With the principle of “Quality Parts,Customers Priority,Honest Operation,and Considerate Service”,our business mainly focus on the distribution of electronic components. Line cards we deal with include Microchip,ALPS,ROHM,Xilinx,Pulse,ON,Everlight and Freescale. Main products comprise IC,Modules,Potentiometer,IC Socket,Relay,Connector.Our parts cover such applications as commercial,industrial, and automotives areas.

We are looking forward to setting up business relationship with you and hope to provide you with the best service and solution. Let us make a better world for our industry!



## Contact us

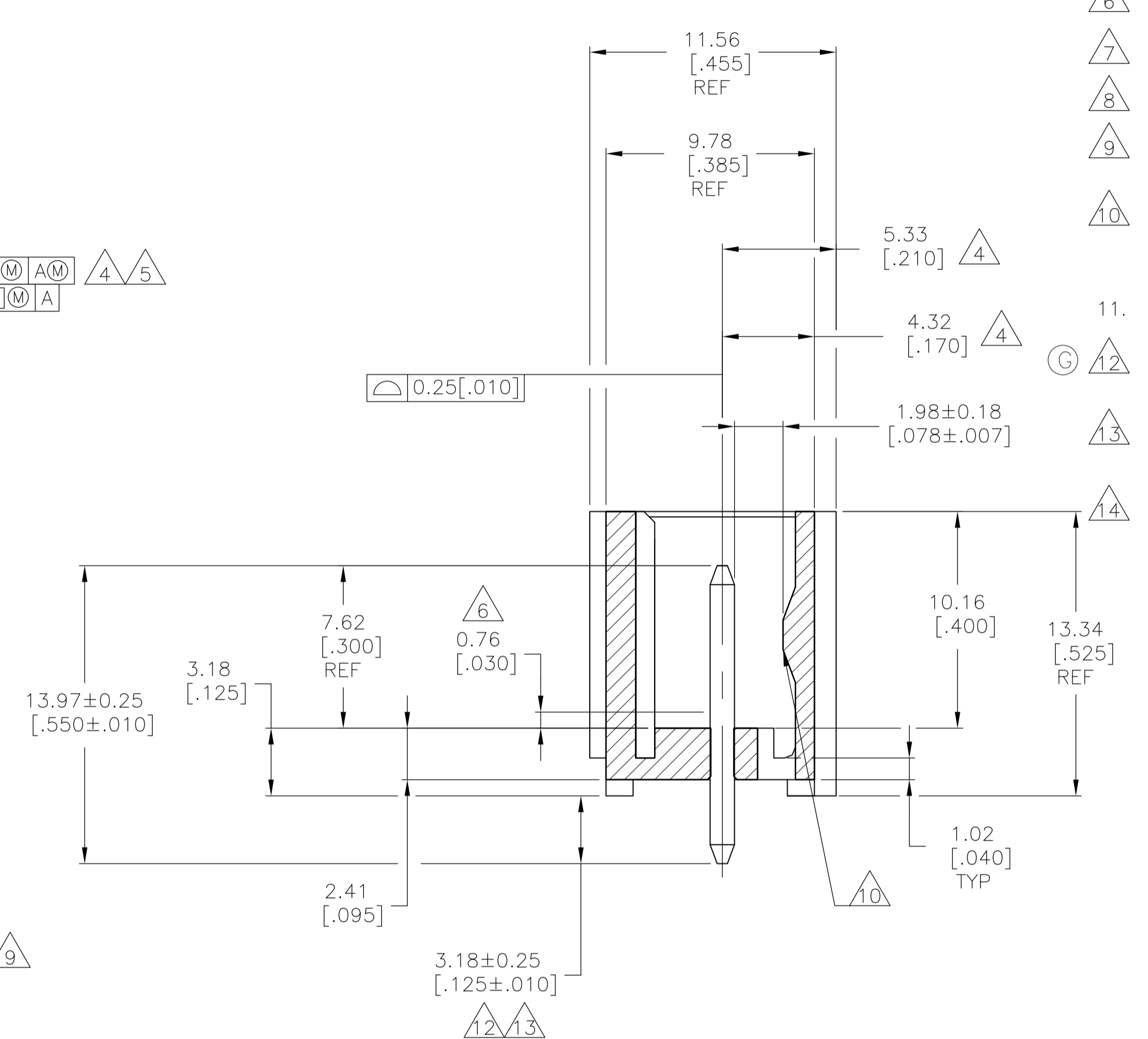
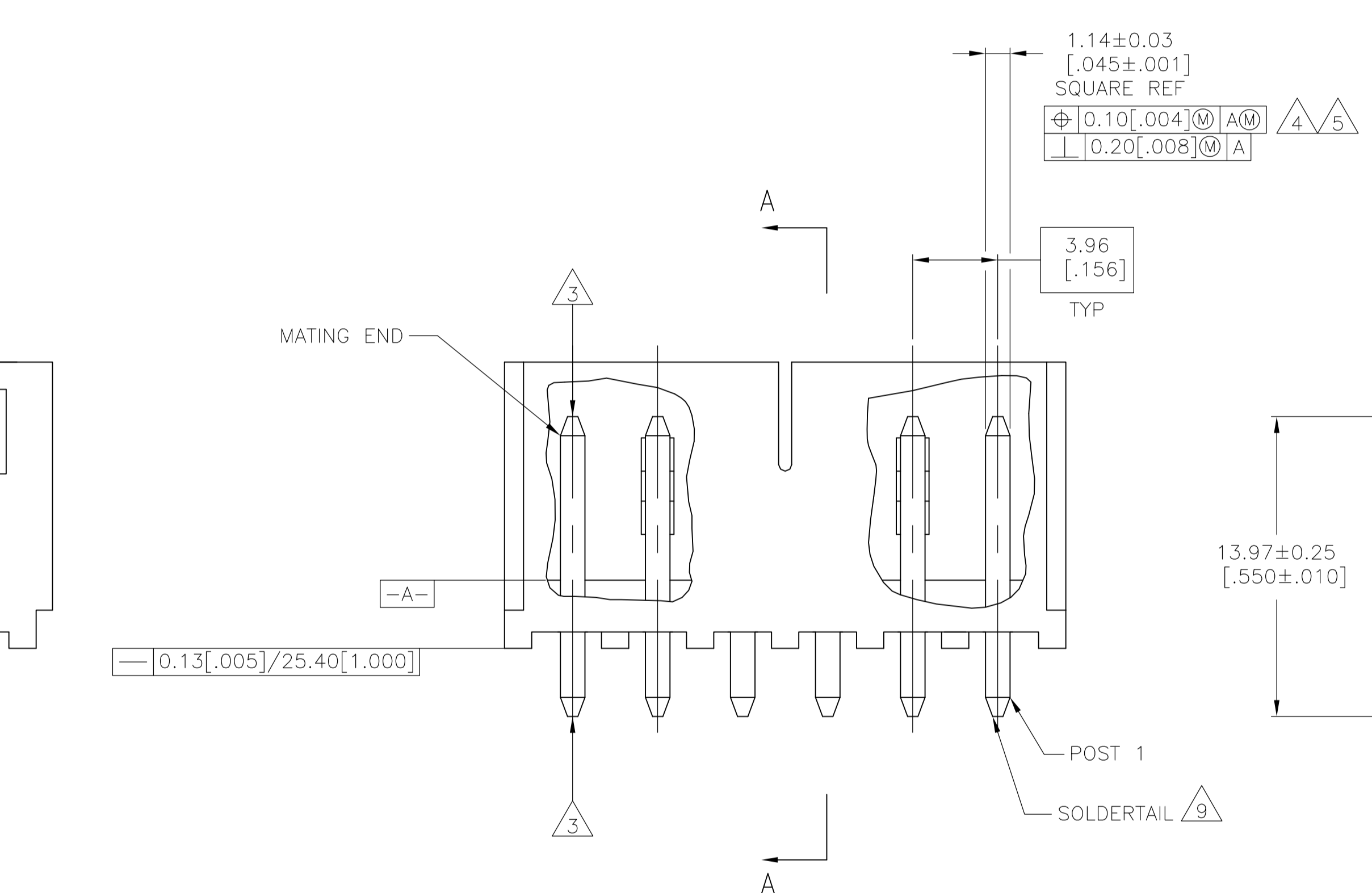
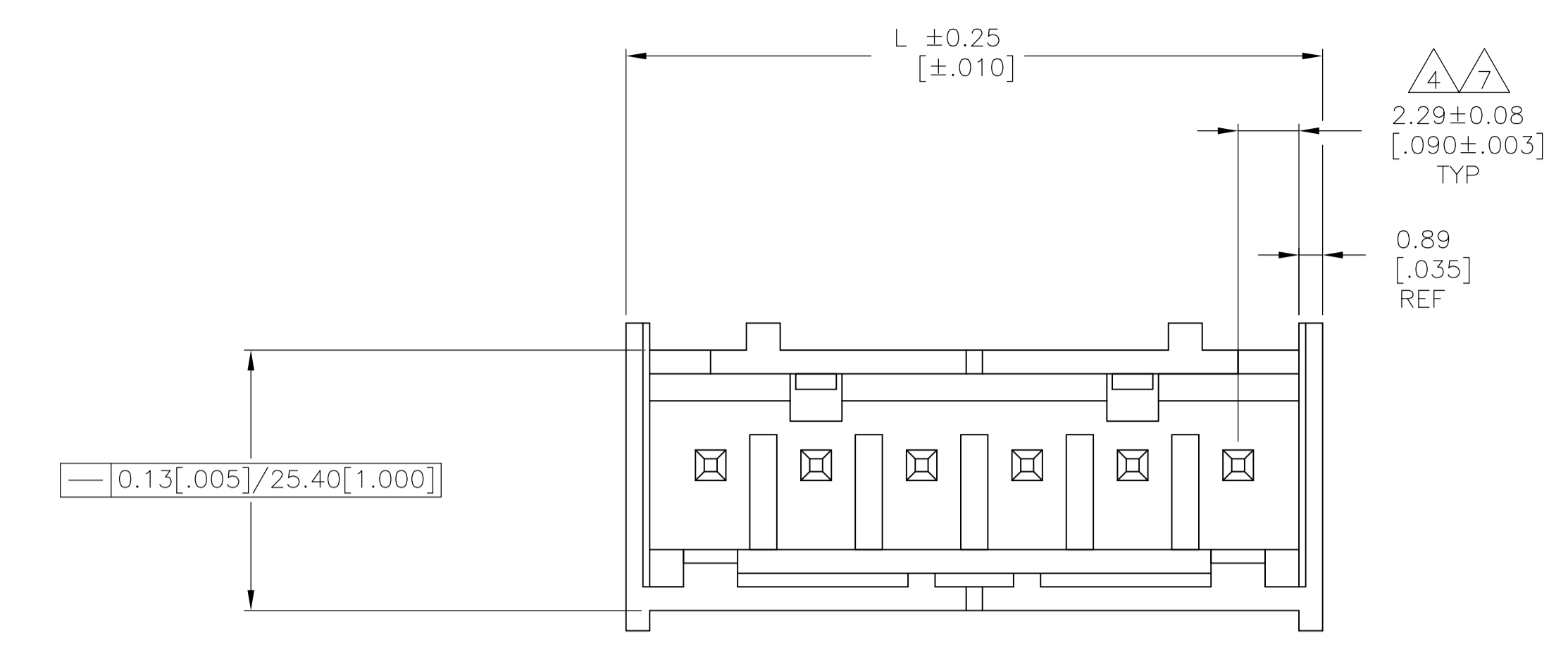
Tel: +86-755-8981 8866 Fax: +86-755-8427 6832

Email & Skype: info@chipsmall.com Web: www.chipsmall.com

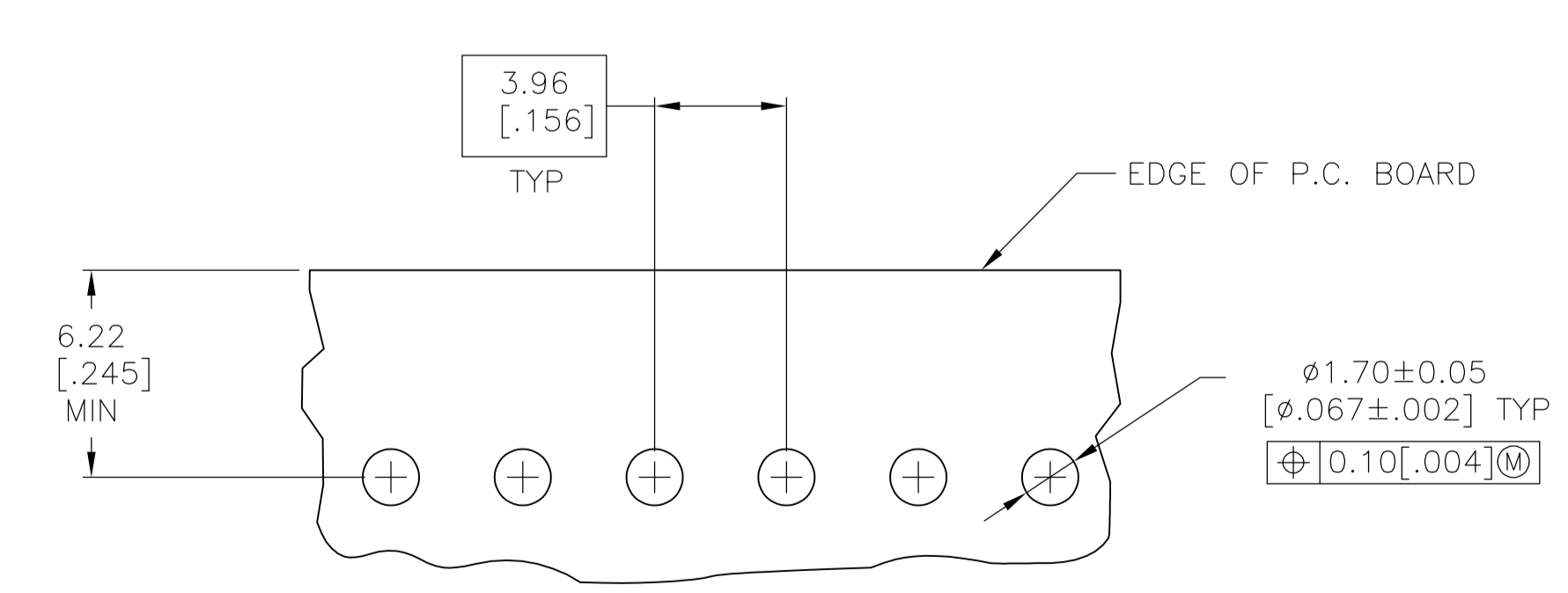
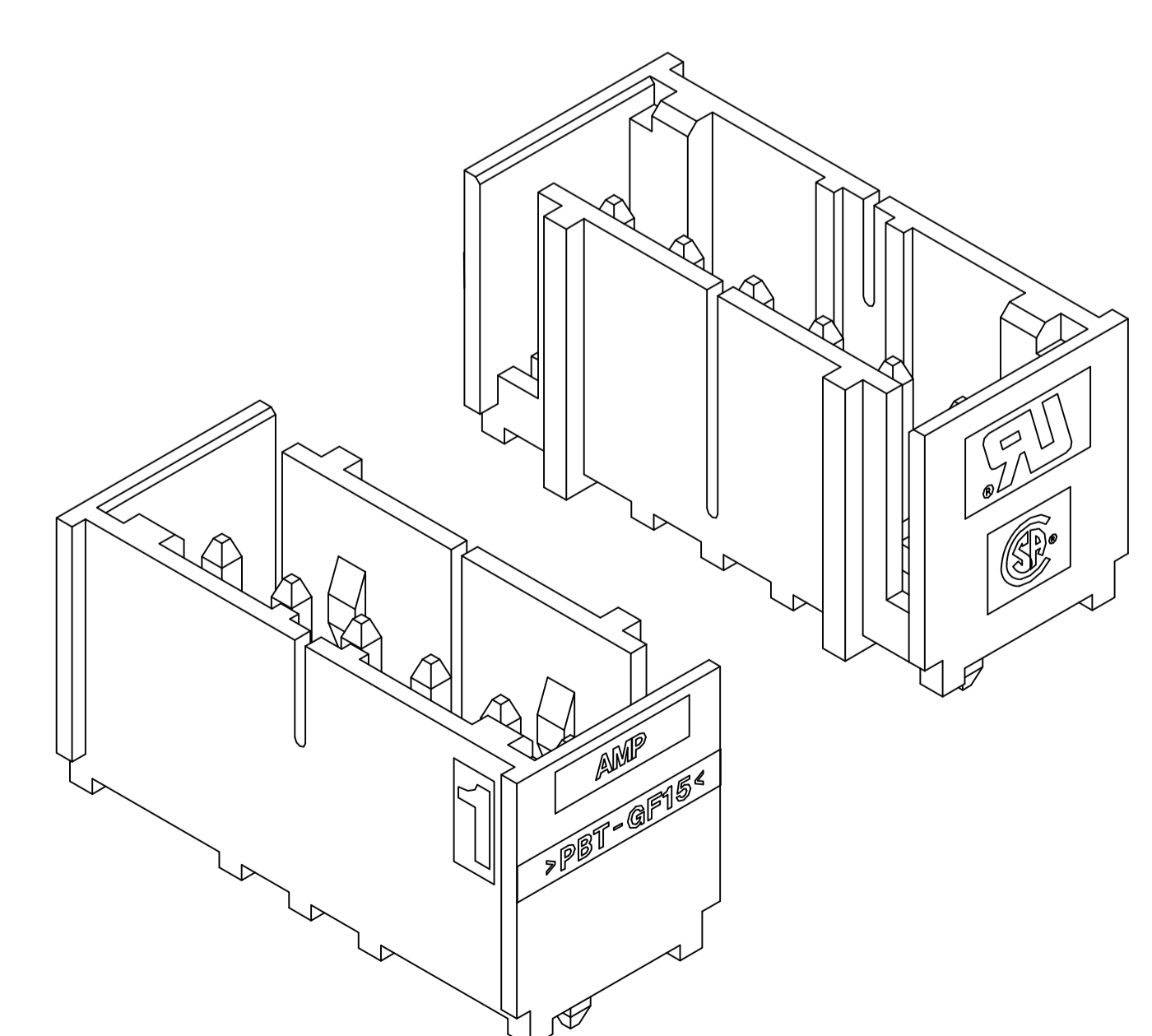
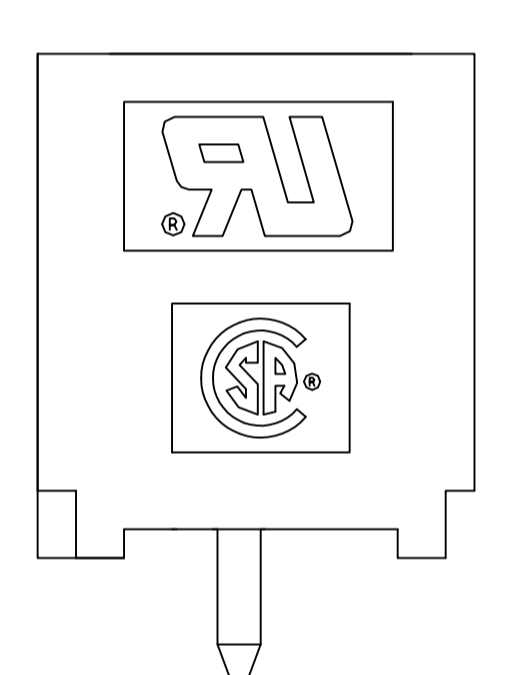
Address: A1208, Overseas Decoration Building, #122 Zhenhua RD., Futian, Shenzhen, China



LOC		DIST		REVISIONS			
CM	0	REV	DESCRIPTION	DATE	BY	APPV	
		F2	REVISED PER ECO-11-004917	11MAR11	RK	HMR	
		G	ECR-13-014450	12OCT13	MT	DZ	



- MATERIAL:  
HOUSING - THERMOPLASTIC POLYESTER, GLASS FILLED, UL94-0.  
POST - COPPER ALLOY
- FINISH:  
HOUSING - BLACK  
POST - SEE NOTES 12 AND 13.
- POST TO WITHSTAND 3LBS (16N) MIN AXIAL FORCE IN THIS DIRECTION WITHOUT DISLODGING.
- APPLIES AT -A-.
- APPLIES WHEN HEADER IS STRAIGHT.
- PLASTIC PROJECTIONS PERMITTED IN THIS ZONE.
- COORDINATE DIMENSIONS APPLIES FROM CENTER OF ACTUAL FEATURE.
- SOLDER SIDE OF BOARD IS SHOWN.
- POST SOLDER TAIL MUST COMPLY WITH AMP SOLDERABILITY SPEC 109-11-2.
- LATCH DETENT FEATURE APPEARS 1 PLACE ON EACH END OF PART (MAX OF 2 PER PART) ON ALL POSITIONS 4 THRU 12. THE LATCH APPEARS ONLY ONE PLACE ON 2 & 3 POSITION PARTS.
- DIMENSIONS IN BRACKETS ARE IN INCHES.
- MATTE TIN PLATE 0.00381 - 0.00889 [.000150 - .000350] THICK, OVER NICKEL UNDERPLATE 0.00127 [.000050] MIN THICK.
- MATTE TIN PLATE 0.00381 - 0.00889 [.000150 - .000350] THICK, OVER NICKEL UNDERPLATE 0.00127 [.000050] MIN THICK.
- OBsolete PARTS: OBsolete CIS STREAMLINING PER D.RENAUD/D.SINISI



SECTION A-A

REV	DATE	BY	APPV	PLATING		NO. OF POSN	PART NUMBER
				MM	L DIM		
13	49.94	1.966	12	3-647123-2			
	45.97	1.810	11	3-647123-1			
	42.01	1.654	10	3-647123-0			
	38.05	1.498	9	2-647123-9			
	34.09	1.342	8	2-647123-8			
	30.12	1.186	7	2-647123-7			
	26.16	1.030	6	2-647123-6			
	22.20	.874	5	2-647123-5			
	18.24	.718	4	2-647123-4			
	14.27	.562	3	2-647123-3			
	10.31	.406	2	2-647123-2			
12	49.94	1.966	12	1-647123-2			
	45.97	1.810	11	1-647123-1			
	42.01	1.654	10	1-647123-0			
	38.05	1.498	9	647123-9			
	34.09	1.342	8	647123-8			
	30.12	1.186	7	647123-7			
	26.16	1.030	6	647123-6			
	22.20	.874	5	647123-5			
	18.24	.718	4	647123-4			
	14.27	.562	3	647123-3			
	10.31	.406	2	647123-2			

647123-6 SHOWN

THIS DRAWING IS A CONTROLLED DOCUMENT.

DIMENSIONS: mm [INCHES]	TOLERANCES UNLESS OTHERWISE SPECIFIED:	DIN S CARPENTER 22JUL03	NAME
0 PLC ± -	1 PLC ± -	CHK D BOSSI 22JUL03	MTA-156 SHROUDED HEADER ASSEMBLY, STRAIGHT .045 SQUARE POST, TIN W/O RETENTION PEG
2 PLC ± -	3 PLC ± -	APPV D BOSSI 22JUL03	PRODUCT SPEC
4 PLC ± -	ANGLES ± -		APPLICATION SPEC
MATERIAL	FINISH	WEIGHT	SIZE
			SCALE
			SHEET
			REV

**METRIC**

**STE** TE Connectivity

CUSTOMER DRAWING SCALE 5:1 SHEET 1 OF 1 REV G