



Chipsmall Limited consists of a professional team with an average of over 10 year of expertise in the distribution of electronic components. Based in Hongkong, we have already established firm and mutual-benefit business relationships with customers from,Europe,America and south Asia,supplying obsolete and hard-to-find components to meet their specific needs.

With the principle of "Quality Parts,Customers Priority,Honest Operation,and Considerate Service",our business mainly focus on the distribution of electronic components. Line cards we deal with include Microchip,ALPS,ROHM,Xilinx,Pulse,ON,Everlight and Freescale. Main products comprise IC,Modules,Potentiometer,IC Socket,Relay,Connector.Our parts cover such applications as commercial,industrial, and automotives areas.

We are looking forward to setting up business relationship with you and hope to provide you with the best service and solution. Let us make a better world for our industry!



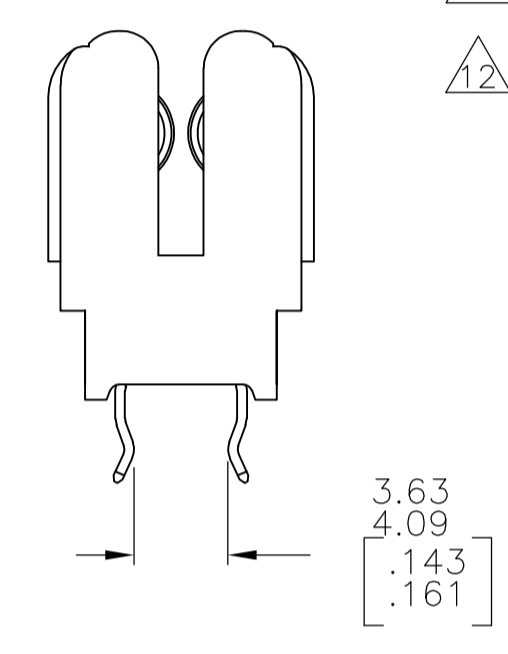
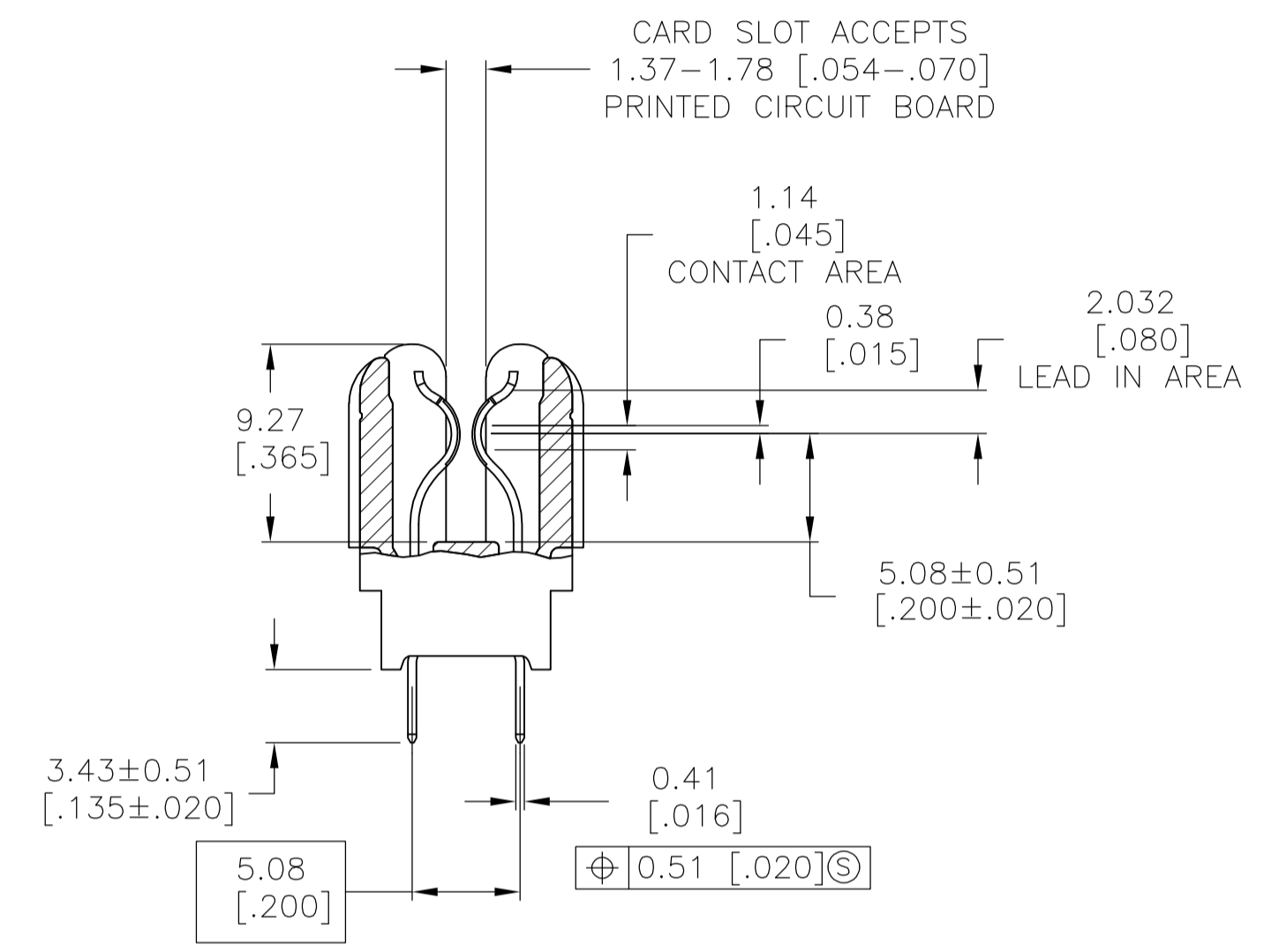
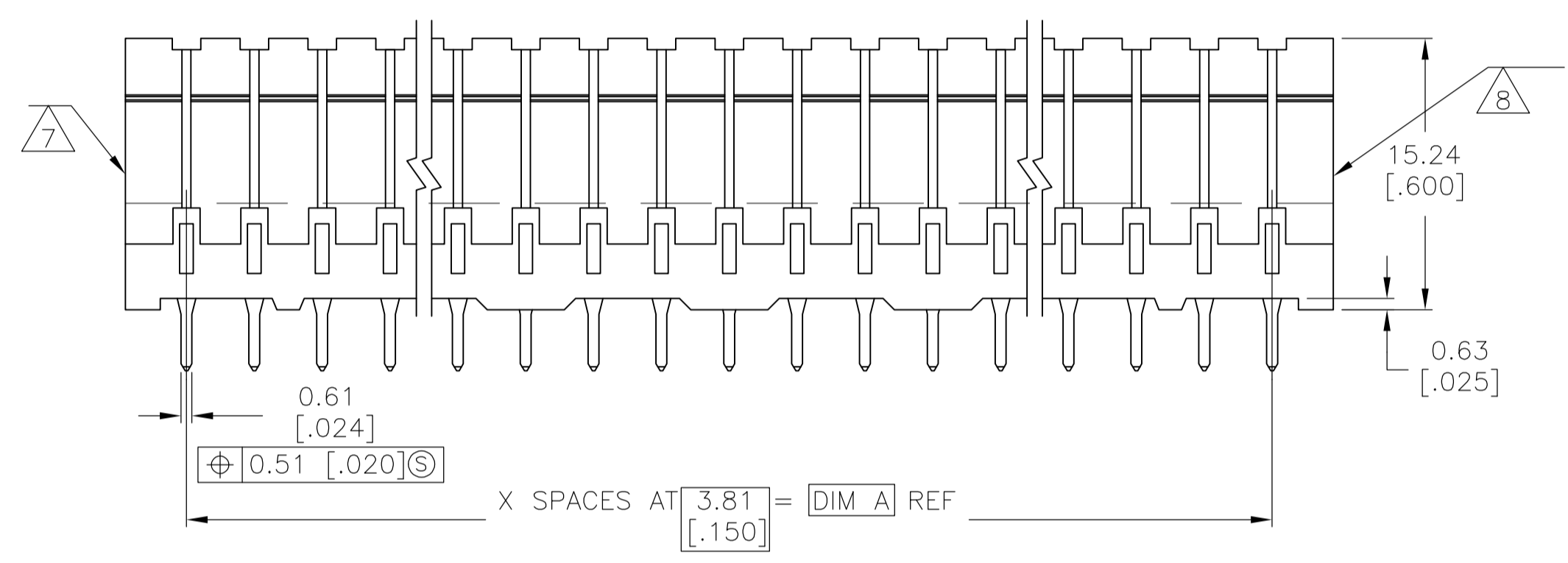
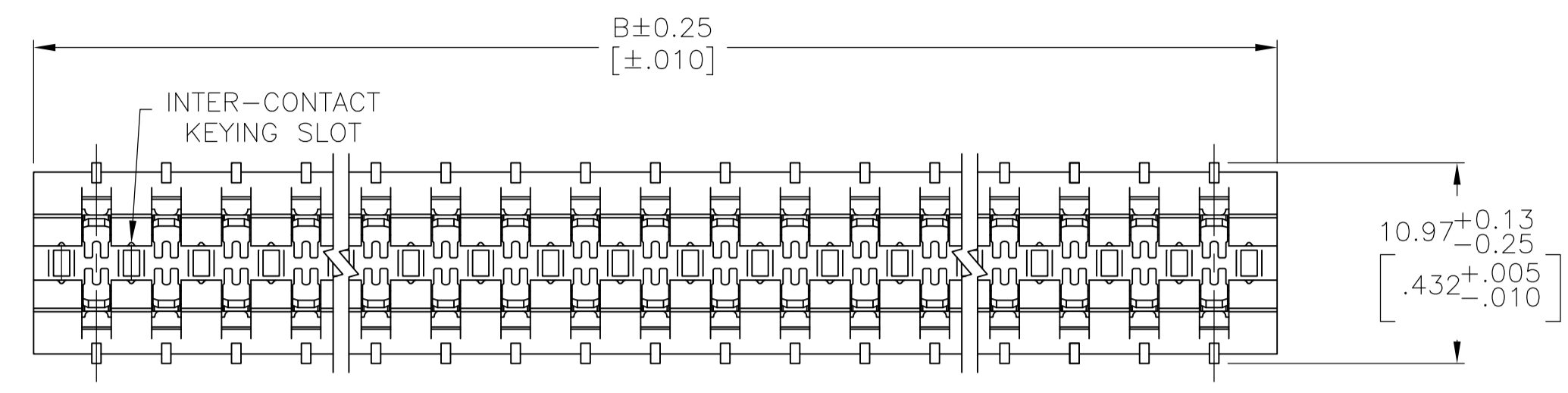
Contact us

Tel: +86-755-8981 8866 Fax: +86-755-8427 6832

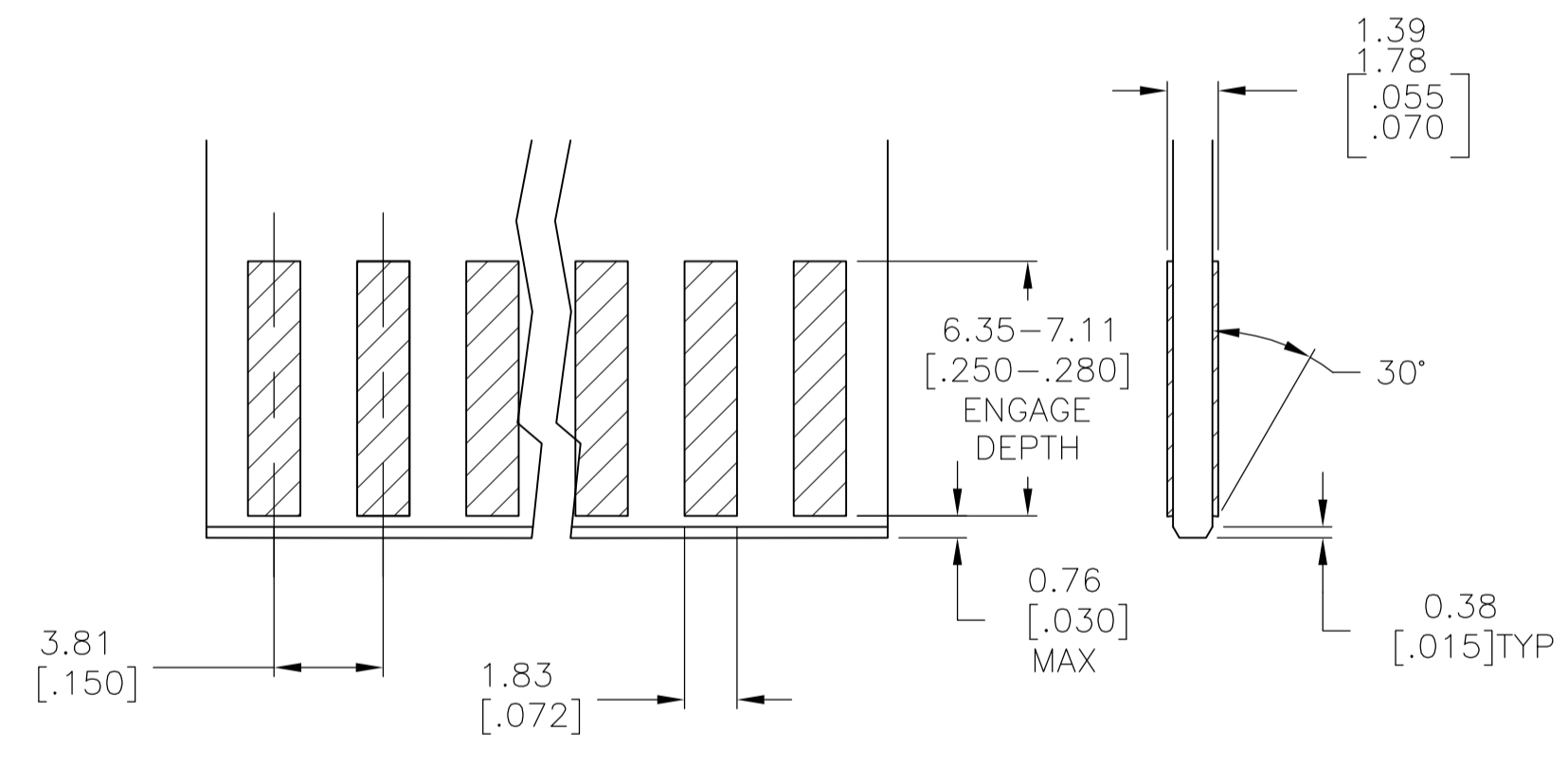
Email & Skype: info@chipsmall.com Web: www.chipsmall.com

Address: A1208, Overseas Decoration Building, #122 Zhenhua RD., Futian, Shenzhen, China





BOARD RETENTION FEATURE



DAUGHTER CARD

- 1 HOUSING: GLASS FILLED POLYESTER; COLOR: BLACK.
- 2 CONTACT: PHOSPHOR BRONZE.
- 3 HARD NICKEL PLATE .0038 {0.00150} MIN. THICKNESS AND 425 MIN. KNOOP HARDNESS IN LEAD-IN AREA, .0013 {0.00050} MIN THICKNESS ALL OVER. NOTE: PLATING HARDNESS CAN NOT BE MEASURED ON THE
- 4 TIN-LEAD PLATE: 0.00254 {0.000100} MIN - SOLDER POSTS.
- 5 GOLD PLATE: 0.00076 {0.000030} MIN - CONTACT AREA.
- 6 NICKEL PLATE PER MIL-G-45204. GOLD PLATE PER QQ-N-290.
- 7 UL & CSA LOGOS MOLDED ON END.
- 8 THE WORD MEXICO MOLDED ON END.
- 9 RECOMMENDED PCB FINISHED HOLE DIA: 1.02 # 0.08 {0.040 #.003}.
- 10 THE RETENTIVE FEATURE OF THIS CONNECTOR IS DESIGNED FOR FULL SEATING IN .062 .008 THICK CIRCUIT BOARDS. FOR APPLICATIONS IN BOARDS OF OTHER THICKNESSES CONTACT AMP INCORPORATED.
- 11 MATTE TIN PLATE: 0.00254 {0.000100} MIN - SOLDER POSTS.
- 12 OBSOLETE PARTS: OBSOLETE CIS STREAMLINING PER D.RENAUD/D.SINISI

12	OBSOLETE	7-10, 27-34, 53-56	121.16 [4.770]	114.30 [4.500]	30	31	11	8-650728-1
		7-10, 25-32, 47-50	109.73 [4.320]	102.87 [4.050]	27	28	11	7-650728-8
		7-10, 29-32	75.44 [2.970]	68.58 [2.700]	18	19	11	6-650728-9
		7-10, 15-18	48.77 [1.920]	41.91 [1.650]	11	12	11	6-650728-2
	OBSOLETE	7-10, 39-46, 75-78	163.06 [6.420]	156.21 [6.150]	41	42		4-650728-2
12	OBSOLETE	7-10, 27-34, 53-56	121.16 [4.770]	114.30 [4.500]	30	31		3-650728-1
		7-10, 25-32, 47-50	109.73 [4.320]	102.87 [4.050]	27	28		2-650728-8
		7-10, 29-32	75.44 [2.970]	68.58 [2.700]	18	19		1-650728-9
	OBSOLETE	7-10, 27-30	71.63 [2.820]	64.77 [2.550]	17	18		1-650728-8
	OBSOLETE	7-10, 17-20	52.07 [2.070]	45.72 [1.800]	12	13		1-650728-3
		7-10, 15-18	48.77 [1.920]	41.91 [1.650]	11	12		1-650728-2
		BOARD LOCATION	B	A	X	NO OF POSN		PART NUMBER

THIS DRAWING IS A CONTROLLED DOCUMENT. **STE** TE Connectivity

DIMENSIONS: mm [INCHES] TOLERANCES UNLESS OTHERWISE SPECIFIED:

0 PLC	± -
1 PLC	± -
2 PLC	± 0.13 [0.005]
3 PLC	± -
4 PLC	± -
ANGLES	± -

MATERIAL: HOUSING: △ CONTACT: △△△△△

FINISH: △△△△△

APPROVED: R. SHIREY/UTA 11JULY91, J. DIORAZIO 08OCT92

NAME: CONNECTOR ASSEMBLY, STANDARD EDGE II, 3.81 [1.50] q SELECT BOARD RETENTION

PRODUCT SPEC: 108-9039

APPLICATION SPEC: -

SIZE: A1

WEIGHT: -

CUSTOMER DRAWING

SCALE: 4:1 SHEET 1 OF 1 REV P2