



Chipsmall Limited consists of a professional team with an average of over 10 year of expertise in the distribution of electronic components. Based in Hongkong, we have already established firm and mutual-benefit business relationships with customers from,Europe,America and south Asia,supplying obsolete and hard-to-find components to meet their specific needs.

With the principle of “Quality Parts,Customers Priority,Honest Operation,and Considerate Service”,our business mainly focus on the distribution of electronic components. Line cards we deal with include Microchip,ALPS,ROHM,Xilinx,Pulse,ON,Everlight and Freescale. Main products comprise IC,Modules,Potentiometer,IC Socket,Relay,Connector.Our parts cover such applications as commercial,industrial, and automotives areas.

We are looking forward to setting up business relationship with you and hope to provide you with the best service and solution. Let us make a better world for our industry!



Contact us

Tel: +86-755-8981 8866 Fax: +86-755-8427 6832

Email & Skype: info@chipsmall.com Web: www.chipsmall.com

Address: A1208, Overseas Decoration Building, #122 Zhenhua RD., Futian, Shenzhen, China



RAFIX 16 F - Signal indicator, flush lens, collar metallized, round
1.65.126.011/1400

General information

| | |
|-----------------|--------------------|
| Form of lens | flat lens |
| Color of lens | transparent yellow |
| Form of collar | round |
| Color of collar | silver metallic |

Dimensions

| | |
|-----------------------------------|------------|
| Collar dimensions | ø 28 mm |
| Overall height | 1.9 mm |
| Mounting depth with contact block | 50 mm |
| Key grid | 30 x 30 mm |
| Mounting hole | ø 22.3 mm |

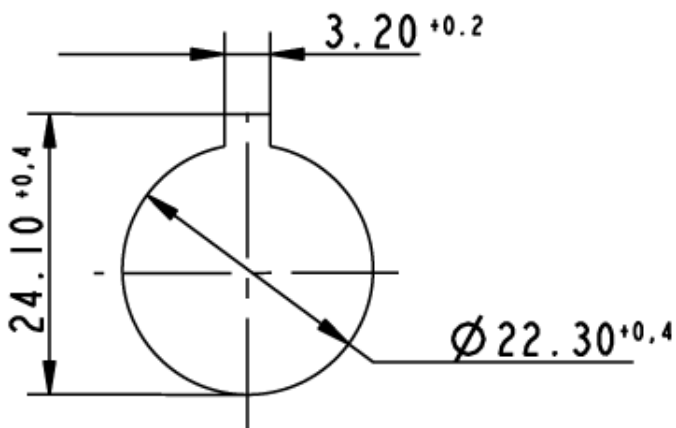
Mechanical design

| | |
|------------------|----------|
| Mounting | ring nut |
| Contact function | - |
| Illumination | yes |

Other specifications

| | |
|---|--|
| Operating life (operations) | - cycle |
| Degree of protection from front side | IP65 (DIN EN 60529) |
| Operation temperature min. | -25 °C |
| Ambient temp. operating max. without lamp / LED | - °C |
| Ambient temp. operating max. with lamp /LED | +55 °C |
| Storage temperature min. | -40 °C |
| Storage temperature max. | +85 °C |
| Environmental resistance | acc. to IEC 60068-2-14, -30, -33 and -78 |
| ROHS compliant | yes |
| REACH compliant | yes |

Panel cut-out to IEC 60947-5-1



Technical data are approximate and intended solely for general orientation in the selection of a product. Subject to modifications and errors. Images and other graphics may only be similar. For more information, refer to www.rafi.de chapter Imprint / Data Protection.

