



Chipsmall Limited consists of a professional team with an average of over 10 year of expertise in the distribution of electronic components. Based in Hongkong, we have already established firm and mutual-benefit business relationships with customers from,Europe,America and south Asia,supplying obsolete and hard-to-find components to meet their specific needs.

With the principle of “Quality Parts,Customers Priority,Honest Operation,and Considerate Service”,our business mainly focus on the distribution of electronic components. Line cards we deal with include Microchip,ALPS,ROHM,Xilinx,Pulse,ON,Everlight and Freescale. Main products comprise IC,Modules,Potentiometer,IC Socket,Relay,Connector.Our parts cover such applications as commercial,industrial, and automotives areas.

We are looking forward to setting up business relationship with you and hope to provide you with the best service and solution. Let us make a better world for our industry!



Contact us

Tel: +86-755-8981 8866 Fax: +86-755-8427 6832

Email & Skype: info@chipsmall.com Web: www.chipsmall.com

Address: A1208, Overseas Decoration Building, #122 Zhenhua RD., Futian, Shenzhen, China



RAFIX 16 F - Signal indicator, flush lens, collar metallized, round
1.65.126.011/1600



General information

Form of lens	flat lens
Color of lens	transparent blue
Form of collar	round
Color of collar	silver metallic

Dimensions

Collar dimensions	ø 28 mm
Overall height	1.9 mm
Mounting depth with contact block	50 mm
Key grid	30 x 30 mm
Mounting hole	ø 22.3 mm

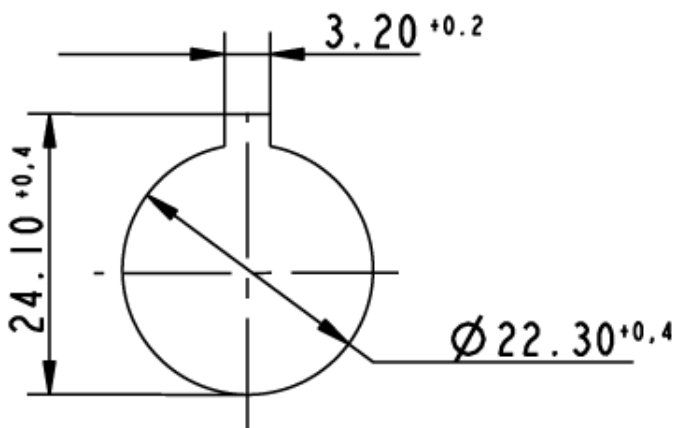
Mechanical design

Mounting	ring nut
Contact function	-
Illumination	yes

Other specifications

Operating life (operations)	- cycle
Degree of protection from front side	IP65 (DIN EN 60529)
Operation temperature min.	-25 °C
Ambient temp. operating max. without lamp / LED	- °C
Ambient temp. operating max. with lamp /LED	+55 °C
Storage temperature min.	-40 °C
Storage temperature max.	+85 °C
Environmental resistance	acc. to IEC 60068-2-14, -30, -33 and -78
ROHS compliant	yes
REACH compliant	yes

Panel cut-out to IEC 60947-5-1



Technical data are approximate and intended solely for general orientation in the selection of a product.
 Subject to modifications and errors. Images and other graphics may only be similar.
 For more information, refer to www.rafi.de chapter Imprint / Data Protection.

