



Chipsmall Limited consists of a professional team with an average of over 10 year of expertise in the distribution of electronic components. Based in Hongkong, we have already established firm and mutual-benefit business relationships with customers from,Europe,America and south Asia,supplying obsolete and hard-to-find components to meet their specific needs.

With the principle of “Quality Parts,Customers Priority,Honest Operation,and Considerate Service”,our business mainly focus on the distribution of electronic components. Line cards we deal with include Microchip,ALPS,ROHM,Xilinx,Pulse,ON,Everlight and Freescale. Main products comprise IC,Modules,Potentiometer,IC Socket,Relay,Connector.Our parts cover such applications as commercial,industrial, and automotives areas.

We are looking forward to setting up business relationship with you and hope to provide you with the best service and solution. Let us make a better world for our industry!



Contact us

Tel: +86-755-8981 8866 Fax: +86-755-8427 6832

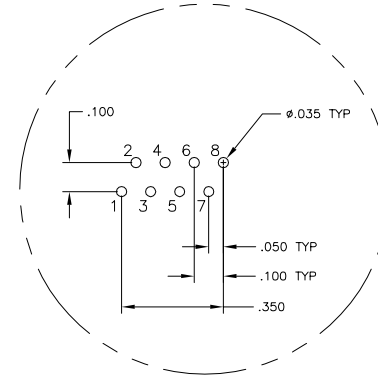
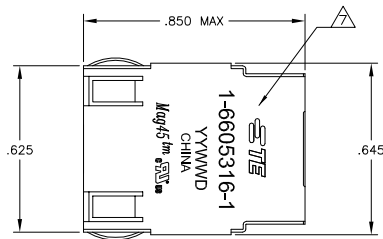
Email & Skype: info@chipsmall.com Web: www.chipsmall.com

Address: A1208, Overseas Decoration Building, #122 Zhenhua RD., Futian, Shenzhen, China

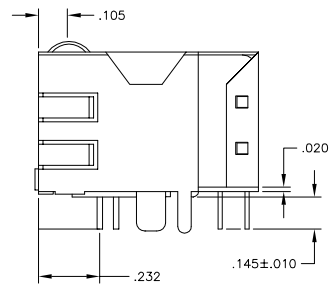
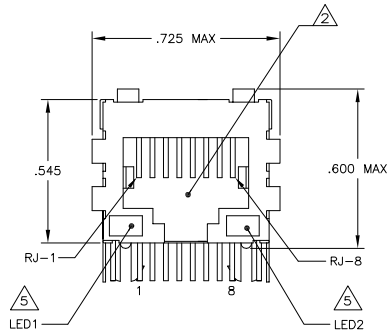


LOC	DATE	REVISIONS	DATE	BY	APP'D
AA	22				
B		REV PER ECO-08-016866	03JUL2008	QL	TX
C		ECO-11-015766	30MAY2011	EL	LR

MECHANICAL:



Pin Designations



- △ MATERIALS:
 HOUSING - THERMOPLASTIC PET POLYESTER FLAMMABILITY RATING UL 94V-0.
 SHIELD - .010" THICK, C26800 BRASS PREPLATED WITH 30μINCH SEMI-BRIGHT NICKEL. SOLDER TABS POST DIPPED WITH 100μINCH MIN SAC SOLDER.
 MOD JACK CONTACTS - 0.0157 X 0.018" PHOSPHOR BRONZE, 50μINCH MIN OVERALL NICKEL UNDERPLATE, WITH SELECT 50μINCH MIN HARD GOLD FINISH PLATE SOLDER TAILS WITH 100μINCH MIN MATTE TIN AND/OR SAC SOLDER DIP.
 LIGHT EMITTING DIODE(LED) - DIFFUSED EPOXY LENS, .020" x .020" CARBON STEEL WIREFRAME LEADS PRE-PLATED WITH 80μINCH SILVER OVER 40μINCH NICKEL UNDERPLATE OVER 40μINCH COPPER UNDERPLATE. POST-PLATED WITH 100μINCH MIN MATTE TIN AND/OR SAC SOLDER DIP OR PURE TIN SOLDER DIP.

- △ RJ45 JACK CAVITY CONFORMS TO FCC RULES AND REGULATIONS PART 68, SUB PART F.

- △ MAGNETICS
 -IMPEDANCE: 100 OHMS
 -TURNS RATIO (CHIP-CABLE): TX = 1:1, RX = 1:1
 -OPEN CIRCUIT INDUCTANCE (OCL): 350uH MIN @100kHz, 0.1VRMS, 8mADC BIAS FROM -40°C TO +85°C, TX AND RX
 -PERFORMANCE @ 25°C:
 INSERTION LOSS (IL): 1.1dB MAX FROM 0.5MHz TO 100MHz
 RETURN LOSS (RL): 18dB MIN FROM 0.5MHz TO 30MHz
 18-20LOG(f/30)dB MIN FROM 30.1MHz TO 60MHz
 12dB MIN FROM 60.1MHz TO 80MHz
 CROSSTALK ATTENUATION: 35dB MIN FROM 0.5MHz TO 40MHz
 33-20*LOG(f/50)dB MIN FROM 40.1MHz TO 100MHz
 COMMON MODE REJECTION RATIO (CMRR): 30dB MIN FROM 0.5MHz TO 100MHz
 -ISOLATION VOLTAGE: 2250VDC (MAX) FOR 60 SECONDS WITH A RISE TIME OF 500V/SEC.

- 4. OPERATING TEMPERATURE: FROM -40°C TO +85°C INDUSTRIAL TEMPERATURE RATED.

- △ LEDS WITH BUILT-IN RESISTOR
 LEDS ARE DRIVEN WITH 5V VOLTAGE AND THE MAX OPERATING CURRENT IS 20mA.
 LED COLOR : DOMINANT WAVELENGTH (λD): GREEN 568 nm TYP. @ VF=5V
 FORWARD CURRENT (IF): GREEN 12 mA TYP. @ VF=5V
 DOMINANT WAVELENGTH (λD): YELLOW 588 nm TYP. @ VF=5V
 FORWARD CURRENT (IF): YELLOW 13 mA TYP. @ VF=5V

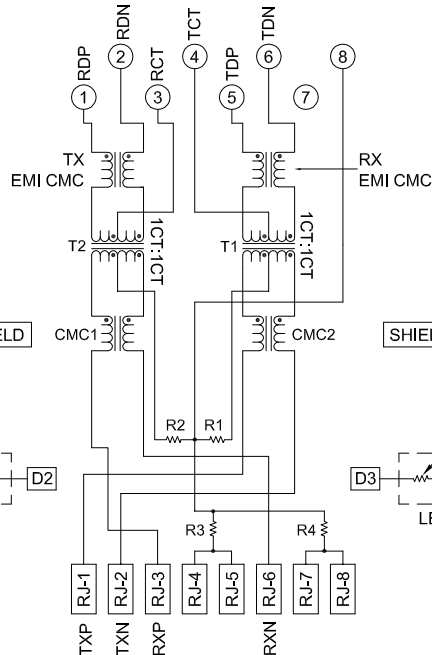
- △ INDICATED CONNECTIONS ARE FOR NIC CONFIGURATION. THE MAGNETICS ARE SYMMETRICAL, AND THEREFORE ARE AUTO-MDI/MDIX CAPABLE.

- △ TE CONNECTIVITY LOGO, PART NUMBER, DATE CODE, COUNTRY OF ORIGIN AND AGENCY APPROVAL MARKING IN APPROXIMATE LOCATION SHOWN.

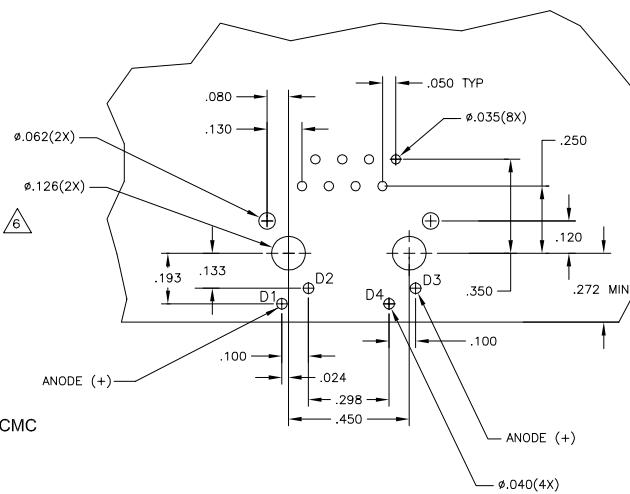
- 8. THE PART IS RECOMMENDED FOR WAVE SOLDERING PROCESS, PEAK WAVE SOLDERING TEMPERATURE IS 265°C MAX, 10 SECONDS MAX.

ELECTRICAL:

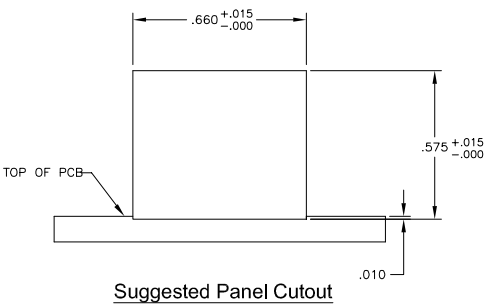
306ET SERIES MAGNETIC CIRCUIT



R1-R4 = 75 OHMS, 1/16W, 5% RESISTORS



Suggested PCB Layout
(Component Side)



Suggested Panel Cutout

GREEN	GREEN	1-6605316-1
LED1	LED2	PART NUMBER

THIS DRAWING IS A CONTROLLED DOCUMENT.		REV. 0	ATTADIA	07/20/2008	002/CDC
DIMENSIONS: INCHES		REV. 1	FAROLE	07/20/2008	002/CDC
NO DIMENSIONS SPECIFIED		REV. 2	FAROLE	07/20/2008	002/CDC
NO DIMENSIONS SPECIFIED		REV. 3	FAROLE	07/20/2008	002/CDC
NO DIMENSIONS SPECIFIED		REV. 4	FAROLE	07/20/2008	002/CDC
NO DIMENSIONS SPECIFIED		REV. 5	FAROLE	07/20/2008	002/CDC
NO DIMENSIONS SPECIFIED		REV. 6	FAROLE	07/20/2008	002/CDC
NO DIMENSIONS SPECIFIED		REV. 7	FAROLE	07/20/2008	002/CDC
NO DIMENSIONS SPECIFIED		REV. 8	FAROLE	07/20/2008	002/CDC
NO DIMENSIONS SPECIFIED		REV. 9	FAROLE	07/20/2008	002/CDC
NO DIMENSIONS SPECIFIED		REV. 10	FAROLE	07/20/2008	002/CDC
NO DIMENSIONS SPECIFIED		REV. 11	FAROLE	07/20/2008	002/CDC
NO DIMENSIONS SPECIFIED		REV. 12	FAROLE	07/20/2008	002/CDC
NO DIMENSIONS SPECIFIED		REV. 13	FAROLE	07/20/2008	002/CDC
NO DIMENSIONS SPECIFIED		REV. 14	FAROLE	07/20/2008	002/CDC
NO DIMENSIONS SPECIFIED		REV. 15	FAROLE	07/20/2008	002/CDC
NO DIMENSIONS SPECIFIED		REV. 16	FAROLE	07/20/2008	002/CDC
NO DIMENSIONS SPECIFIED		REV. 17	FAROLE	07/20/2008	002/CDC
NO DIMENSIONS SPECIFIED		REV. 18	FAROLE	07/20/2008	002/CDC
NO DIMENSIONS SPECIFIED		REV. 19	FAROLE	07/20/2008	002/CDC
NO DIMENSIONS SPECIFIED		REV. 20	FAROLE	07/20/2008	002/CDC
NO DIMENSIONS SPECIFIED		REV. 21	FAROLE	07/20/2008	002/CDC
NO DIMENSIONS SPECIFIED		REV. 22	FAROLE	07/20/2008	002/CDC
NO DIMENSIONS SPECIFIED		REV. 23	FAROLE	07/20/2008	002/CDC
NO DIMENSIONS SPECIFIED		REV. 24	FAROLE	07/20/2008	002/CDC
NO DIMENSIONS SPECIFIED		REV. 25	FAROLE	07/20/2008	002/CDC
NO DIMENSIONS SPECIFIED		REV. 26	FAROLE	07/20/2008	002/CDC
NO DIMENSIONS SPECIFIED		REV. 27	FAROLE	07/20/2008	002/CDC
NO DIMENSIONS SPECIFIED		REV. 28	FAROLE	07/20/2008	002/CDC
NO DIMENSIONS SPECIFIED		REV. 29	FAROLE	07/20/2008	002/CDC
NO DIMENSIONS SPECIFIED		REV. 30	FAROLE	07/20/2008	002/CDC
NO DIMENSIONS SPECIFIED		REV. 31	FAROLE	07/20/2008	002/CDC
NO DIMENSIONS SPECIFIED		REV. 32	FAROLE	07/20/2008	002/CDC
NO DIMENSIONS SPECIFIED		REV. 33	FAROLE	07/20/2008	002/CDC
NO DIMENSIONS SPECIFIED		REV. 34	FAROLE	07/20/2008	002/CDC
NO DIMENSIONS SPECIFIED		REV. 35	FAROLE	07/20/2008	002/CDC
NO DIMENSIONS SPECIFIED		REV. 36	FAROLE	07/20/2008	002/CDC
NO DIMENSIONS SPECIFIED		REV. 37	FAROLE	07/20/2008	002/CDC
NO DIMENSIONS SPECIFIED		REV. 38	FAROLE	07/20/2008	002/CDC
NO DIMENSIONS SPECIFIED		REV. 39	FAROLE	07/20/2008	002/CDC
NO DIMENSIONS SPECIFIED		REV. 40	FAROLE	07/20/2008	002/CDC
NO DIMENSIONS SPECIFIED		REV. 41	FAROLE	07/20/2008	002/CDC
NO DIMENSIONS SPECIFIED		REV. 42	FAROLE	07/20/2008	002/CDC
NO DIMENSIONS SPECIFIED		REV. 43	FAROLE	07/20/2008	002/CDC
NO DIMENSIONS SPECIFIED		REV. 44	FAROLE	07/20/2008	002/CDC
NO DIMENSIONS SPECIFIED		REV. 45	FAROLE	07/20/2008	002/CDC
NO DIMENSIONS SPECIFIED		REV. 46	FAROLE	07/20/2008	002/CDC
NO DIMENSIONS SPECIFIED		REV. 47	FAROLE	07/20/2008	002/CDC
NO DIMENSIONS SPECIFIED		REV. 48	FAROLE	07/20/2008	002/CDC
NO DIMENSIONS SPECIFIED		REV. 49	FAROLE	07/20/2008	002/CDC
NO DIMENSIONS SPECIFIED		REV. 50	FAROLE	07/20/2008	002/CDC
NO DIMENSIONS SPECIFIED		REV. 51	FAROLE	07/20/2008	002/CDC
NO DIMENSIONS SPECIFIED		REV. 52	FAROLE	07/20/2008	002/CDC
NO DIMENSIONS SPECIFIED		REV. 53	FAROLE	07/20/2008	002/CDC
NO DIMENSIONS SPECIFIED		REV. 54	FAROLE	07/20/2008	002/CDC
NO DIMENSIONS SPECIFIED		REV. 55	FAROLE	07/20/2008	002/CDC
NO DIMENSIONS SPECIFIED		REV. 56	FAROLE	07/20/2008	002/CDC
NO DIMENSIONS SPECIFIED		REV. 57	FAROLE	07/20/2008	002/CDC
NO DIMENSIONS SPECIFIED		REV. 58	FAROLE	07/20/2008	002/CDC
NO DIMENSIONS SPECIFIED		REV. 59	FAROLE	07/20/2008	002/CDC
NO DIMENSIONS SPECIFIED		REV. 60	FAROLE	07/20/2008	002/CDC
NO DIMENSIONS SPECIFIED		REV. 61	FAROLE	07/20/2008	002/CDC
NO DIMENSIONS SPECIFIED		REV. 62	FAROLE	07/20/2008	002/CDC
NO DIMENSIONS SPECIFIED		REV. 63	FAROLE	07/20/2008	002/CDC
NO DIMENSIONS SPECIFIED		REV. 64	FAROLE	07/20/2008	002/CDC
NO DIMENSIONS SPECIFIED		REV. 65	FAROLE	07/20/2008	002/CDC
NO DIMENSIONS SPECIFIED		REV. 66	FAROLE	07/20/2008	002/CDC
NO DIMENSIONS SPECIFIED		REV. 67	FAROLE	07/20/2008	002/CDC
NO DIMENSIONS SPECIFIED		REV. 68	FAROLE	07/20/2008	002/CDC
NO DIMENSIONS SPECIFIED		REV. 69	FAROLE	07/20/2008	002/CDC
NO DIMENSIONS SPECIFIED		REV. 70	FAROLE	07/20/2008	002/CDC
NO DIMENSIONS SPECIFIED		REV. 71	FAROLE	07/20/2008	002/CDC
NO DIMENSIONS SPECIFIED		REV. 72	FAROLE	07/20/2008	002/CDC
NO DIMENSIONS SPECIFIED		REV. 73	FAROLE	07/20/2008	002/CDC
NO DIMENSIONS SPECIFIED		REV. 74	FAROLE	07/20/2008	002/CDC
NO DIMENSIONS SPECIFIED		REV. 75	FAROLE	07/20/2008	002/CDC
NO DIMENSIONS SPECIFIED		REV. 76	FAROLE	07/20/2008	002/CDC
NO DIMENSIONS SPECIFIED		REV. 77	FAROLE	07/20/2008	002/CDC
NO DIMENSIONS SPECIFIED		REV. 78	FAROLE	07/20/2008	002/CDC
NO DIMENSIONS SPECIFIED		REV. 79	FAROLE	07/20/2008	002/CDC
NO DIMENSIONS SPECIFIED		REV. 80	FAROLE	07/20/2008	002/CDC
NO DIMENSIONS SPECIFIED		REV. 81	FAROLE	07/20/2008	002/CDC
NO DIMENSIONS SPECIFIED		REV. 82	FAROLE	07/20/2008	002/CDC
NO DIMENSIONS SPECIFIED		REV. 83	FAROLE	07/20/2008	002/CDC
NO DIMENSIONS SPECIFIED		REV. 84	FAROLE	07/20/2008	002/CDC
NO DIMENSIONS SPECIFIED		REV. 85	FAROLE	07/20/2008	002/CDC
NO DIMENSIONS SPECIFIED		REV. 86	FAROLE	07/20/2008	002/CDC
NO DIMENSIONS SPECIFIED		REV. 87	FAROLE	07/20/2008	002/CDC
NO DIMENSIONS SPECIFIED		REV. 88	FAROLE	07/20/2008	002/CDC
NO DIMENSIONS SPECIFIED		REV. 89	FAROLE	07/20/2008	002/CDC
NO DIMENSIONS SPECIFIED		REV. 90	FAROLE	07/20/2008	002/CDC
NO DIMENSIONS SPECIFIED		REV. 91	FAROLE	07/20/2008	002/CDC
NO DIMENSIONS SPECIFIED		REV. 92	FAROLE	07/20/2008	002/CDC
NO DIMENSIONS SPECIFIED		REV. 93	FAROLE	07/20/2008	002/CDC
NO DIMENSIONS SPECIFIED		REV. 94	FAROLE	07/20/2008	002/CDC
NO DIMENSIONS SPECIFIED		REV. 95	FAROLE	07/20/2008	002/CDC
NO DIMENSIONS SPECIFIED		REV. 96	FAROLE	07/20/2008	002/CDC
NO DIMENSIONS SPECIFIED		REV. 97	FAROLE	07/20/2008	002/CDC
NO DIMENSIONS SPECIFIED		REV. 98	FAROLE	07/20/2008	002/CDC
NO DIMENSIONS SPECIFIED		REV. 99	FAROLE	07/20/2008	002/CDC
NO DIMENSIONS SPECIFIED		REV. 100	FAROLE	07/20/2008	002/CDC