



Chipsmall Limited consists of a professional team with an average of over 10 year of expertise in the distribution of electronic components. Based in Hongkong, we have already established firm and mutual-benefit business relationships with customers from,Europe,America and south Asia,supplying obsolete and hard-to-find components to meet their specific needs.

With the principle of “Quality Parts,Customers Priority,Honest Operation,and Considerate Service”,our business mainly focus on the distribution of electronic components. Line cards we deal with include Microchip,ALPS,ROHM,Xilinx,Pulse,ON,Everlight and Freescale. Main products comprise IC,Modules,Potentiometer,IC Socket,Relay,Connector.Our parts cover such applications as commercial,industrial, and automotives areas.

We are looking forward to setting up business relationship with you and hope to provide you with the best service and solution. Let us make a better world for our industry!



Contact us

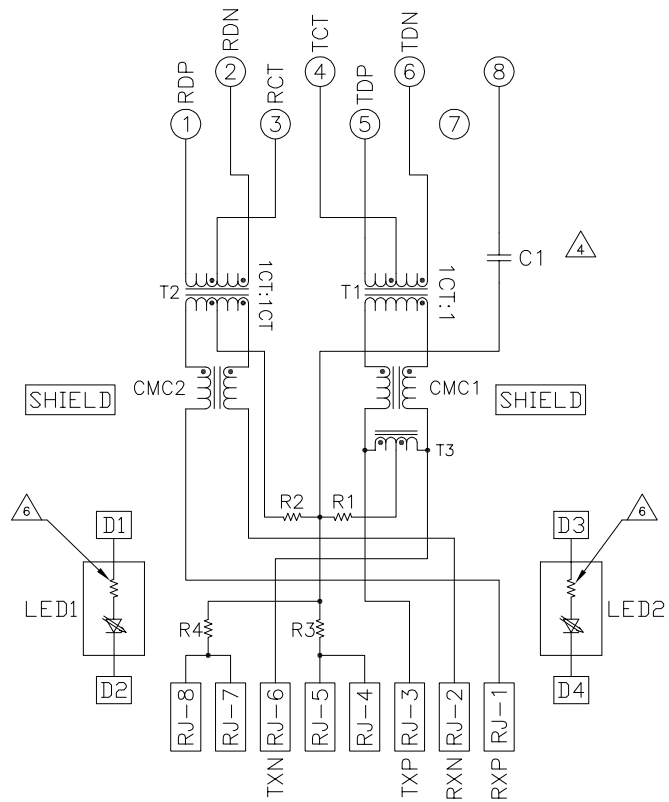
Tel: +86-755-8981 8866 Fax: +86-755-8427 6832

Email & Skype: info@chipsmall.com Web: www.chipsmall.com

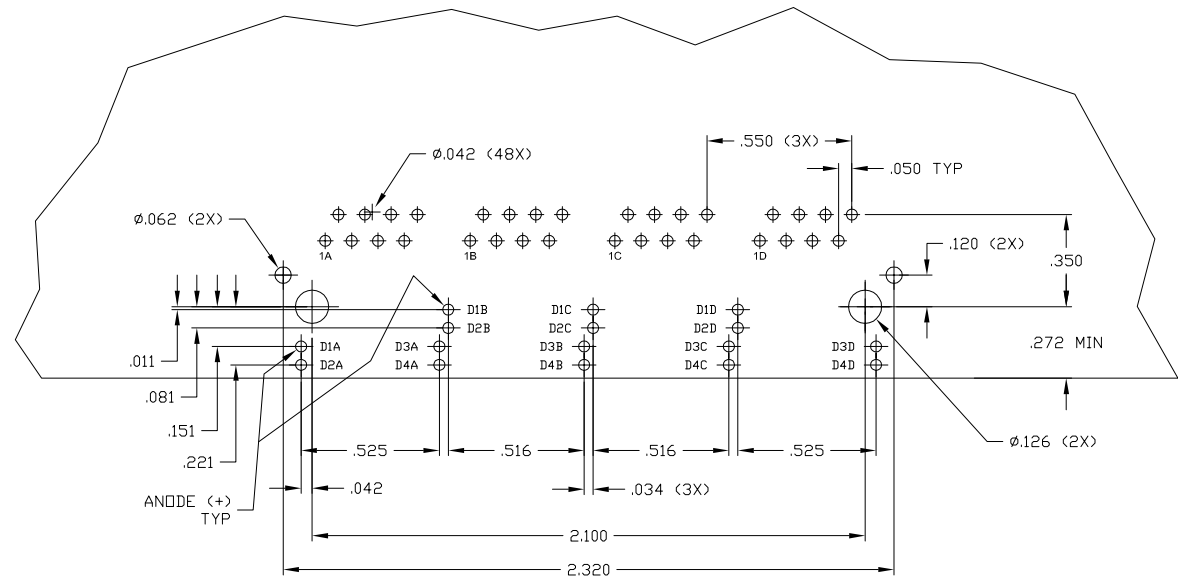
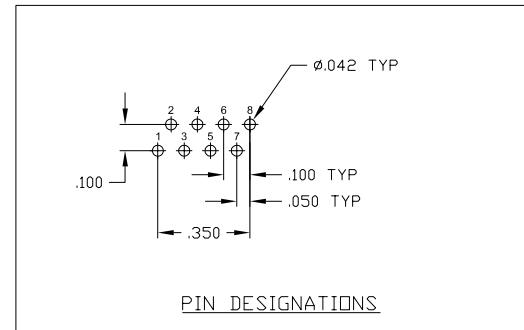
Address: A1208, Overseas Decoration Building, #122 Zhenhua RD., Futian, Shenzhen, China



754 SERIES MAGNETIC CIRCUIT 



C1 = 1000pF, 2kV DECOUPLING CAPACITOR
 R1-R4 = 75 OHMS, 1/16W, 5% RESISTORS



SUGGESTED PCB LAYOUT
 (Component Side)

THIS DRAWING IS A CONTROLLED DOCUMENT.		REV	1	VARELA	10MAR2005	DATE	10MAR2005	BY	TE Connectivity
DRAWN BY		CHK	2	FAROLE	10MAR2005	DATE	10MAR2005	BY	TE Connectivity
DIMENSIONS:		APPD	3	FAROLE	10MAR2005	DATE	10MAR2005	BY	TE Connectivity
INCHES		REV	4	FAROLE	10MAR2005	DATE	10MAR2005	BY	TE Connectivity
0.125		0.125	±	0.125	±	0.125	±	0.125	±
0.250		0.250	±	0.250	±	0.250	±	0.250	±
0.500		0.500	±	0.500	±	0.500	±	0.500	±
1.000		1.000	±	1.000	±	1.000	±	1.000	±
MATERIAL		FINISH	WEIGHT	SIZE	DATE CODE	DRAWING NO	RESTRICTED TO		
-		-	-	A1	00779	C=6610031	100779	SCALE	4:1
CUSTOMER DRAWING								SHEET 2 OF 2	