



Chipsmall Limited consists of a professional team with an average of over 10 year of expertise in the distribution of electronic components. Based in Hongkong, we have already established firm and mutual-benefit business relationships with customers from,Europe,America and south Asia,supplying obsolete and hard-to-find components to meet their specific needs.

With the principle of “Quality Parts,Customers Priority,Honest Operation,and Considerate Service”,our business mainly focus on the distribution of electronic components. Line cards we deal with include Microchip,ALPS,ROHM,Xilinx,Pulse,ON,Everlight and Freescale. Main products comprise IC,Modules,Potentiometer,IC Socket,Relay,Connector.Our parts cover such applications as commercial,industrial, and automotives areas.

We are looking forward to setting up business relationship with you and hope to provide you with the best service and solution. Let us make a better world for our industry!



Contact us

Tel: +86-755-8981 8866 Fax: +86-755-8427 6832

Email & Skype: info@chipsmall.com Web: www.chipsmall.com

Address: A1208, Overseas Decoration Building, #122 Zhenhua RD., Futian, Shenzhen, China

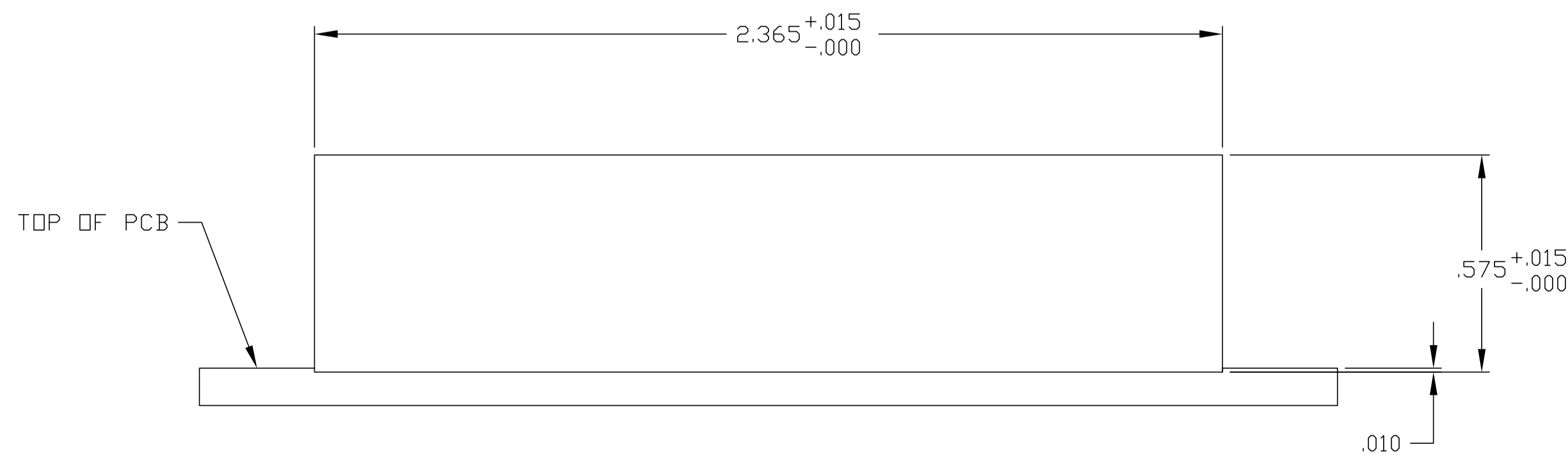
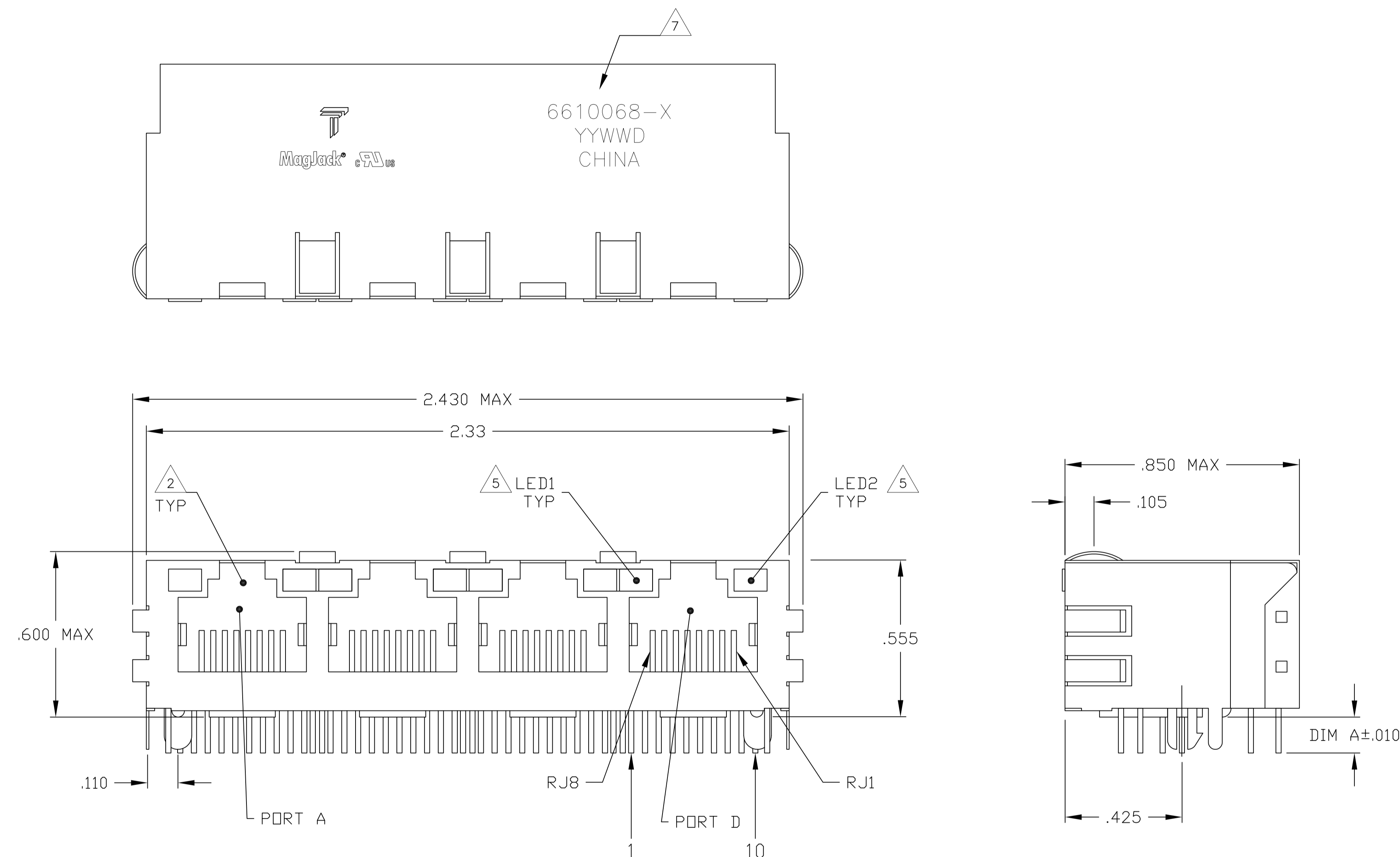


THIS DRAWING AND THE SUBJECT MATTER SHOWN THEREON ARE CONFIDENTIAL AND THE PROPERTY OF BEL/STEWART/TRP CONNECTOR AND SHALL NOT BE REPRODUCED, COPIED, OR USED IN ANY MANNER WITHOUT THE WRITTEN CONSENT OF TRP CONNECTOR.

PRODUCT MAY BE PROTECTED BY ONE OR MORE OF THE FOLLOWING US PATENTS:
 5736910 5939955 6425781 6428361 6554638 6840817 7123117
 7429195 7717749 7808751 6217391 6149050 7924130

REVISIONS					
#	LTR	DESCRIPTION	DATE	DWN	APPD
L		EC-141035 COMPANY LOGO CHANGE	05JAN2015	DZ	TL

MECHANICAL:



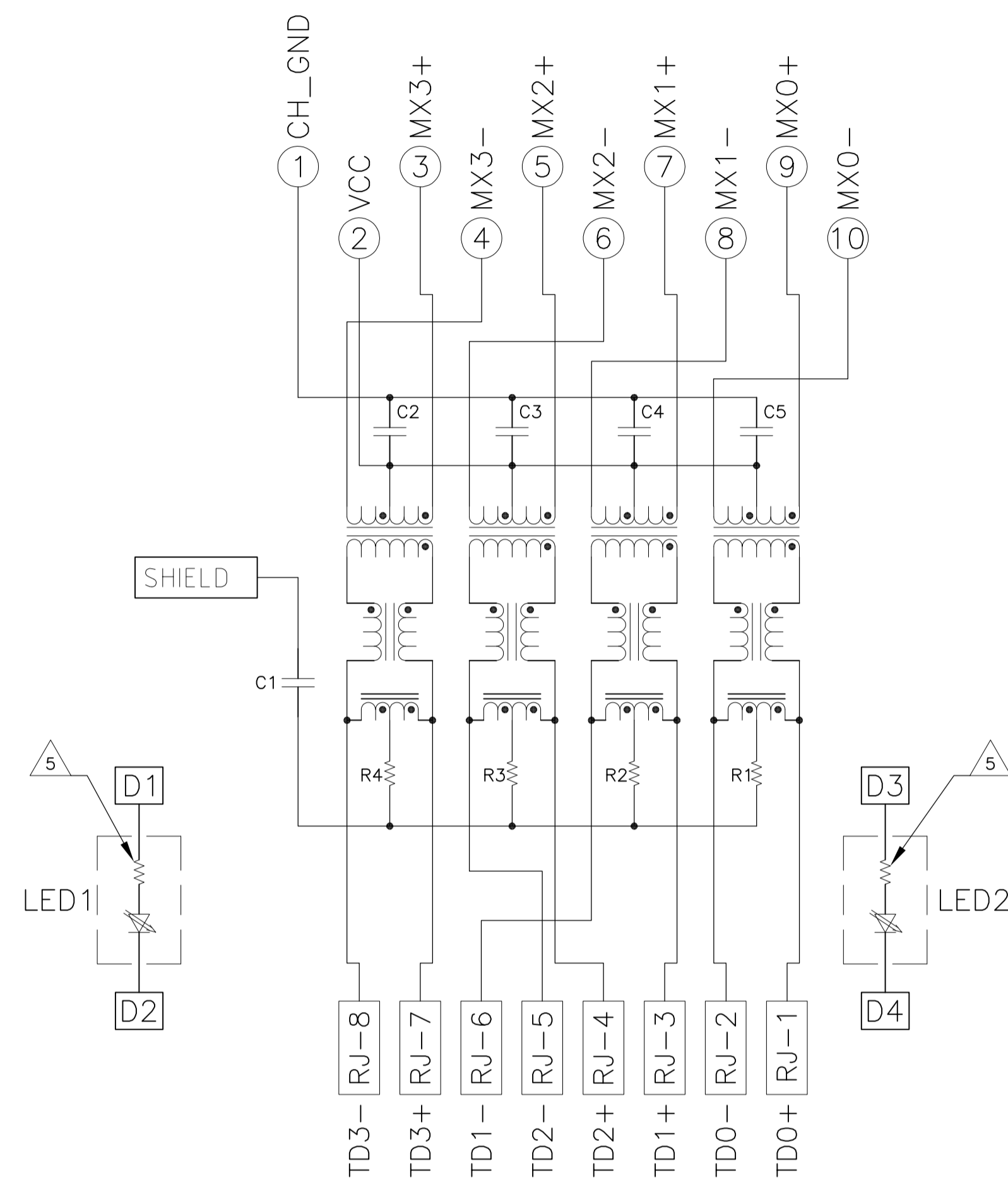
1X4 SUGGESTED PANEL CUTOUT

- 1 MATERIALS:
 - HOUSING - THERMOPLASTIC PET POLYESTER FLAMMABILITY RATING UL 94V-0
 - SHIELD - .010" THICK, C26800 BRASS PREPLATED WITH 30μINCH MIN SEMI-BRIGHT NICKEL.
 - SOLDER TABS POST DIPPED WITH 100μINCH MIN SAC SOLDER.
 - MOD JACK CONTACTS - 0.0157 X 0.018" PHOSPHOR BRONZE, 50μINCH MIN OVERALL NICKEL UNDERPLATE WITH SELECT 50μINCH MIN HARD GOLD FINISH PLATE. SOLDER TAILS WITH 100μINCH MIN MATTE TIN AND/OR SAC SOLDER DIP.
 - LIGHT EMITTING DIODE(LED) - DIFFUSED EPOXY LENS, .020" X .020" CARBON STEEL WIREFRAME LEADS PRE-PLATED WITH 80μINCH SILVER OVER 40μINCH NICKEL UNDERPLATE OVER 40μINCH COPPER UNDERPLATE. POST-PLATED WITH 100μIN MIN MATTE TIN AND/OR SAC SOLDER DIP OR PURE TIN SOLDER DIP.
- 2 RJ45 JACK CAVITY CONFORMS TO FCC RULES AND REGULATIONS PART 68, SUB PART F.
- 3 MAGNETICS
 - APPLICATION: 10/100/1000 BASE-T
 - IMPEDANCE: 100 OHMS
 - TURNS RATIO (CHIP CABLE): 1:1 ALL FOUR PAIRS
 - OPEN CIRCUIT INDUCTANCE (OCL): 350μH MIN @100kHz, 0.1VRMS, 8mA DC BIAS FROM 0° C TO 70° C, ALL FOUR PAIRS
 - ALL FOUR PAIRS BI-DIRECTIONAL
 - PERFORMANCE @ 25° C:
 - INSERTION LOSS (IL): 1.1dB MAX FROM 0.5MHz TO 100MHz
 - RETURN LOSS (RL): 18dB MIN FROM 0.5MHz TO 40MHz
 - 12-20LOG(f/80)dB MIN FROM 40.1MHz TO 100MHz
 - CROSSTALK ATTENUATION: 35dB MIN FROM 0.5MHz TO 40MHz
 - 33-20LOG(f/50)dB MIN FROM 40.1MHz TO 100MHz
 - COMMON MODE REJECTION RATIO (CMRR): 30dB MIN FROM 0.5MHz TO 100MHz
 - ISOLATION VOLTAGE: 2250VDC (MAX) FOR 60 SECONDS WITH A RISE TIME OF 500V/SEC AND WITH ALL PORTS CONNECTED.
- 4. OPERATING TEMPERATURE: FROM 0° C - +70° C
- 5 THE 250 OHM LED RESISTORS ARE OPTIONAL, PLEASE SEE CHART FOR PRESENCE OR ABSENCE OF LED RESISTORS. IF THE LED WITHOUT 250 OHM RESISTORS, LED IS DRIVEN WITH CONSTANT CURRENT AT APPROX 20mA.
 - LED COLOR: DOMINANT WAVELENGTH (λD): GREEN 568 nm TYP. @ IF=20mA
 - FORWARD VOLTAGE (VF): GREEN 2.2V TYP. @ IF=20mA
 - DOMINANT WAVELENGTH (λD): YELLOW 588 nm TYP. @ IF=20mA
 - FORWARD VOLTAGE (VF): YELLOW 2.1V TYP. @ IF=20mA
 - DOMINANT WAVELENGTH (λD): ORANGE 605 nm TYP. @ IF=20mA
 - FORWARD VOLTAGE (VF): ORANGE 2.05V TYP. @ IF=20mA
 - IF THE LED WITH 250 OHM RESISTORS, LED IS DRIVEN WITH 5V VOLTAGE AND THE MAX OPERATING CURRENT IS 20mA.
 - LED COLOR: DOMINANT WAVELENGTH (λD): GREEN 568 nm TYP. @ VF=5V
 - FORWARD CURRENT (IF): GREEN 12 mA TYP. @ VF=5V
 - DOMINANT WAVELENGTH (λD): YELLOW 588 nm TYP. @ VF=5V
 - FORWARD CURRENT (IF): YELLOW 13 mA TYP. @ VF=5V
- 6 INDICATED MAGNETIC CONNECTIONS ARE SYMMETRICAL TO SUPPORT AUTO-MDI/MDIX.
- 7 TRP CONNECTOR LOGO, PART NUMBER, DATE CODE, COUNTRY OF ORIGIN AND AGENCY APPROVAL MARKING IN APPROXIMATE LOCATION SHOWN. DATE CODE YY IS YEAR, WW WORK WEEK, D IS DAY OF WEEK WITH SUNDAY=1
- 8. THESE PARTS ARE RECOMMENDED FOR WAVE SOLDERING PROCESS, PREHEAT TEMPERATURE IS 120°C TO 160°C, 120 SECONDS TO 180 SECONDS, PEAK WAVE SOLDERING TEMPERATURE IS 260° C MAX, 10 SECONDS MAX.

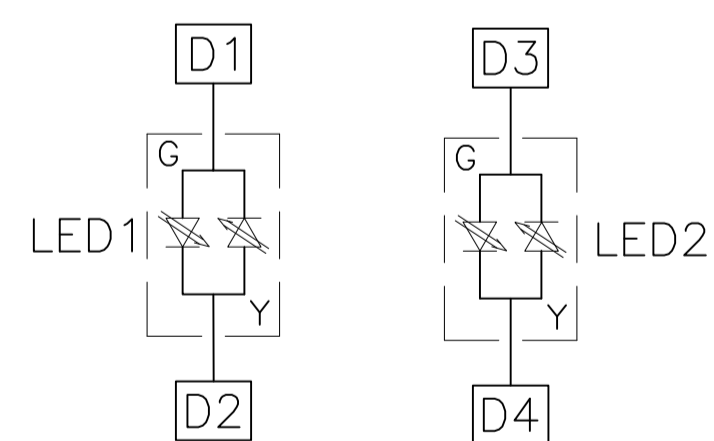
0.102	NO	GREEN/YELLOW	NO	GREEN	2-6610068-5
0.145	NO	GREEN	NO	GREEN/ORANGE	1-6610068-8
0.145	NO	GREEN	NO	GREEN	5-6610068-7
0.145	NO	GREEN/YELLOW	NO	GREEN	1-6610068-5
0.145	YES	GREEN	YES	GREEN	1-6610068-1
0.145	NO	GREEN	NO	YELLOW	6610068-8
0.145	NO	GREEN/YELLOW	NO	GREEN/YELLOW	6610068-6
DIM A	250ohm RESISTOR	LED1	LED RESISTOR	LED2	PART NUMBER

THIS DRAWING IS A CONTROLLED DOCUMENT.		DWN	17MAR2015	 trp CONNECTOR DONGGUAN CHINA	
DIMENSIONS: INCHES		CHK	17MAR2015		
TOLERANCES UNLESS OTHERWISE SPECIFIED:		D.F. AROLE	17MAR2015		
0 PLC	± .	MODEL NAME		DESC	
1 PLC	± .010	MAGJACK GANG		1X4 7G05 GIGABIT TAB UP W/ LED	
2 PLC	± .015	NON-POE		SIZE	A1
3 PLC	± .025	APPLICATION SPEC		CAGE CODE	C=6610068
4 PLC	± .	PRODUCT SPEC		DRAWING NO	108-2100
ANGLES	± .	CUSTOMER DRAWING		SCALE	1:1
		SHEET		1	OF 2
		REV			L

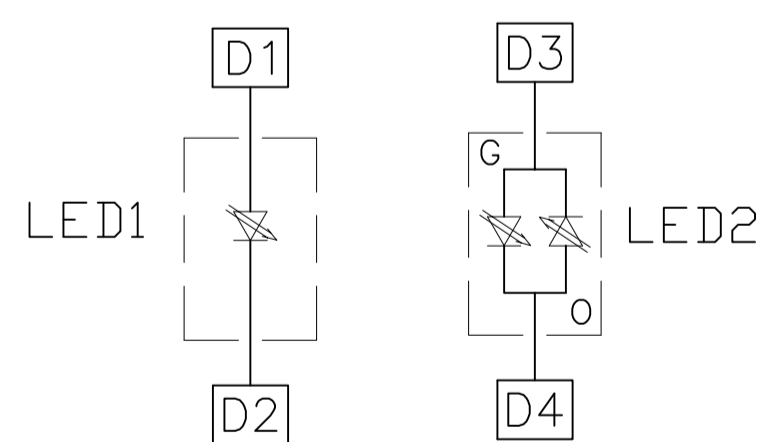
7G05 SERIES GIGABIT CIRCUIT $\triangle 3 \triangle 6$



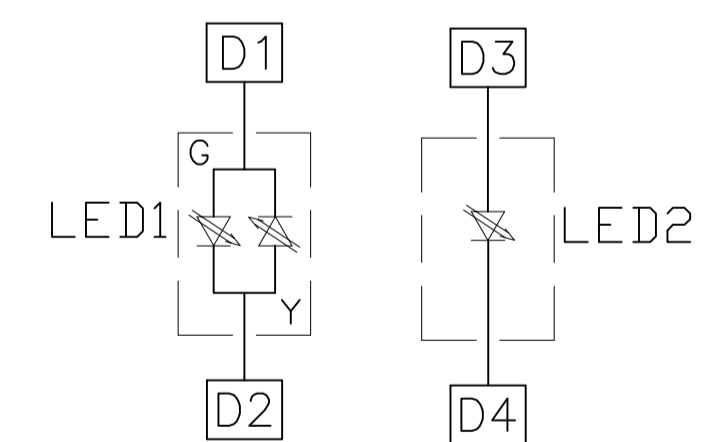
C1 = 1000pF, 2kV CAPACITOR
 R1-R4 = 75 OHMS, 1/16 W RESISTORS
 C2-C5 = 0.1uF, 50V CAPACITORS



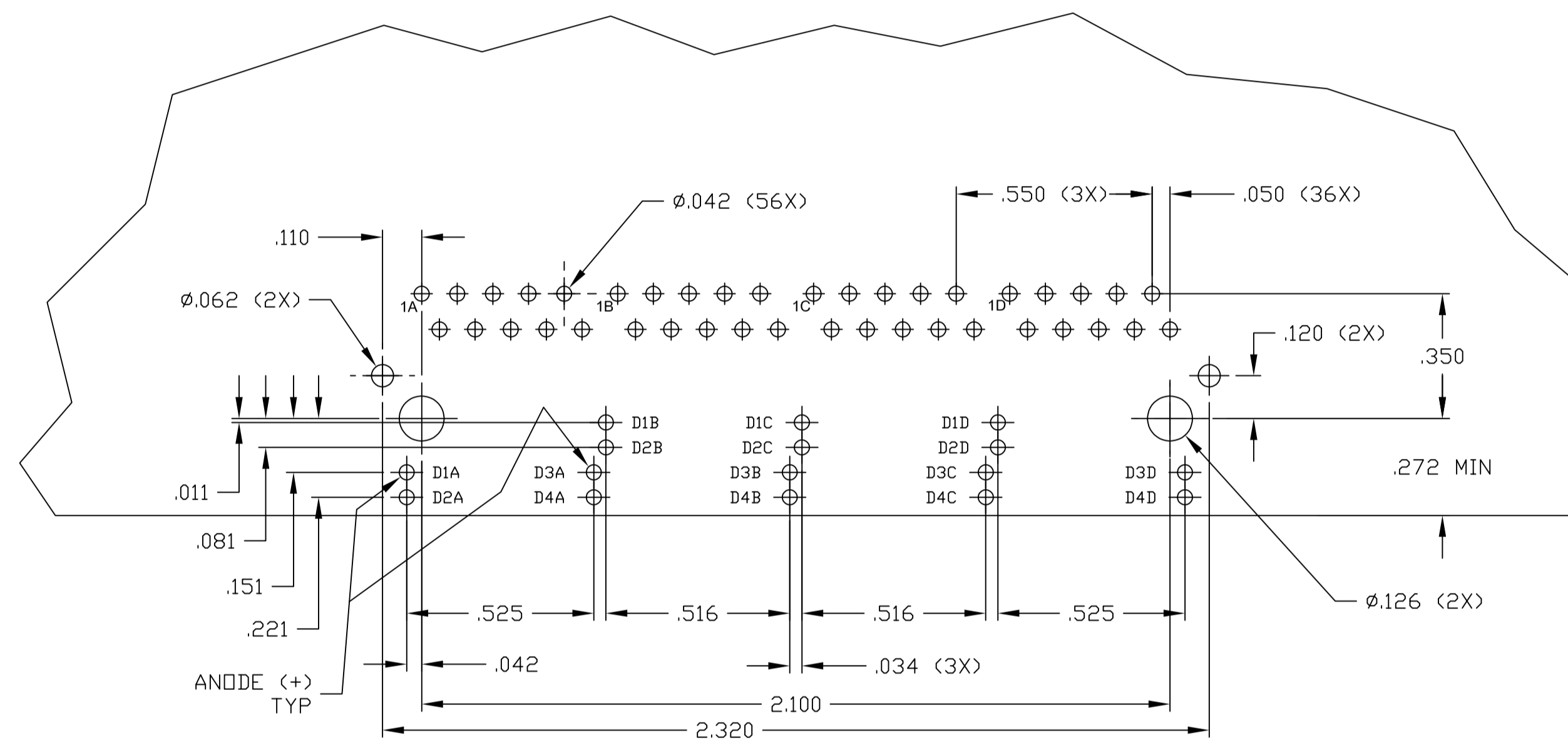
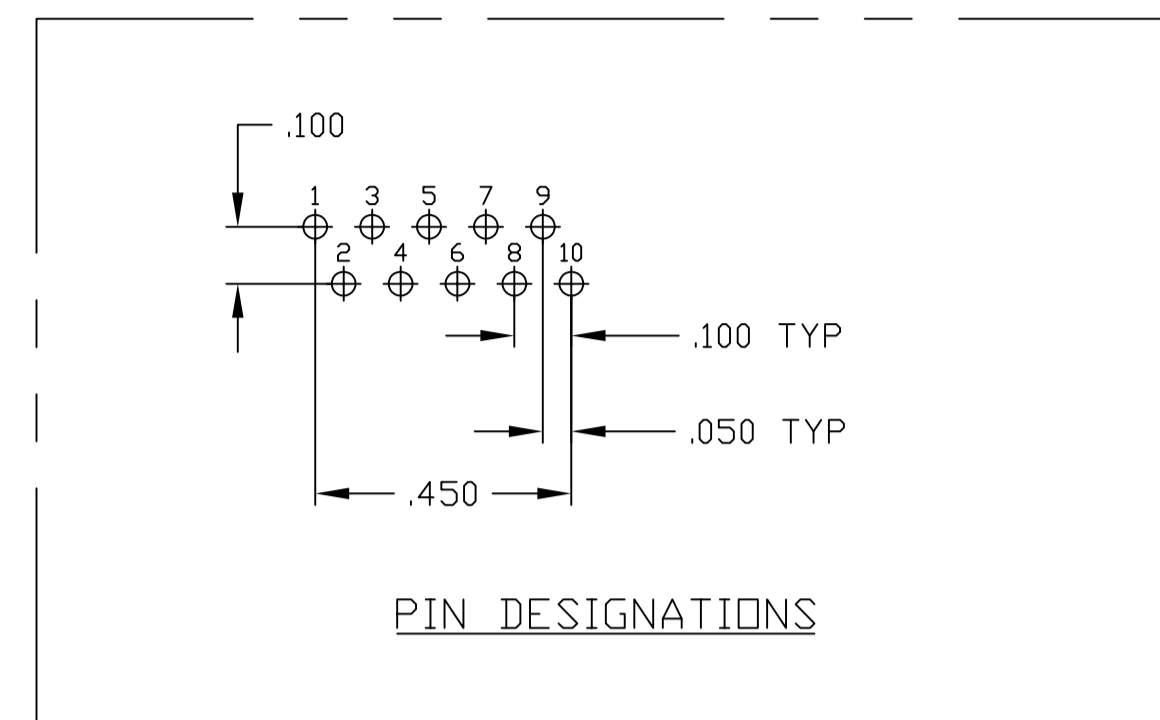
LED CONFIGURATION
 FOR 6610068-6 ONLY



LED CONFIGURATION
 FOR 1-6610068-8 ONLY



LED CONFIGURATION
 FOR 1-6610068-5, 2-6610068-5 ONLY



SUGGESTED PCB LAYOUT
 (Component Side)

THIS DRAWING IS A CONTROLLED DOCUMENT.		DWN	17MAR2005	 trp CONNECTOR DONGGUAN CHINA
DIMENSIONS: INCHES		CHK	17MAR2005	
		D.FAROLE	17MAR2005	
TOLERANCES UNLESS OTHERWISE SPECIFIED:		MODEL NAME	DESC	RESTRICTED TO
0-PLC	± .005	MAGJACK GANG	1X4 7G05 GIGABIT TAB UP W/ LED	
1-PLC	± .005	NON-POE		
2-PLC	± .005			
3-PLC	± .005			
4-PLC	± .005			
ANGLES	± .005			
APPLICATION SPEC				
PRODUCT SPEC				
108-2100				
CUSTOMER DRAWING		SIZE	CAGE CODE	DRAWING NO
		A1		6610068
		SCALE	1:1	SHEET 2 OF 2 REV L