



Chipsmall Limited consists of a professional team with an average of over 10 year of expertise in the distribution of electronic components. Based in Hongkong, we have already established firm and mutual-benefit business relationships with customers from,Europe,America and south Asia,supplying obsolete and hard-to-find components to meet their specific needs.

With the principle of “Quality Parts,Customers Priority,Honest Operation,and Considerate Service”,our business mainly focus on the distribution of electronic components. Line cards we deal with include Microchip,ALPS,ROHM,Xilinx,Pulse,ON,Everlight and Freescale. Main products comprise IC,Modules,Potentiometer,IC Socket,Relay,Connector.Our parts cover such applications as commercial,industrial, and automotives areas.

We are looking forward to setting up business relationship with you and hope to provide you with the best service and solution. Let us make a better world for our industry!



Contact us

Tel: +86-755-8981 8866 Fax: +86-755-8427 6832

Email & Skype: info@chipsmall.com Web: www.chipsmall.com

Address: A1208, Overseas Decoration Building, #122 Zhenhua RD., Futian, Shenzhen, China

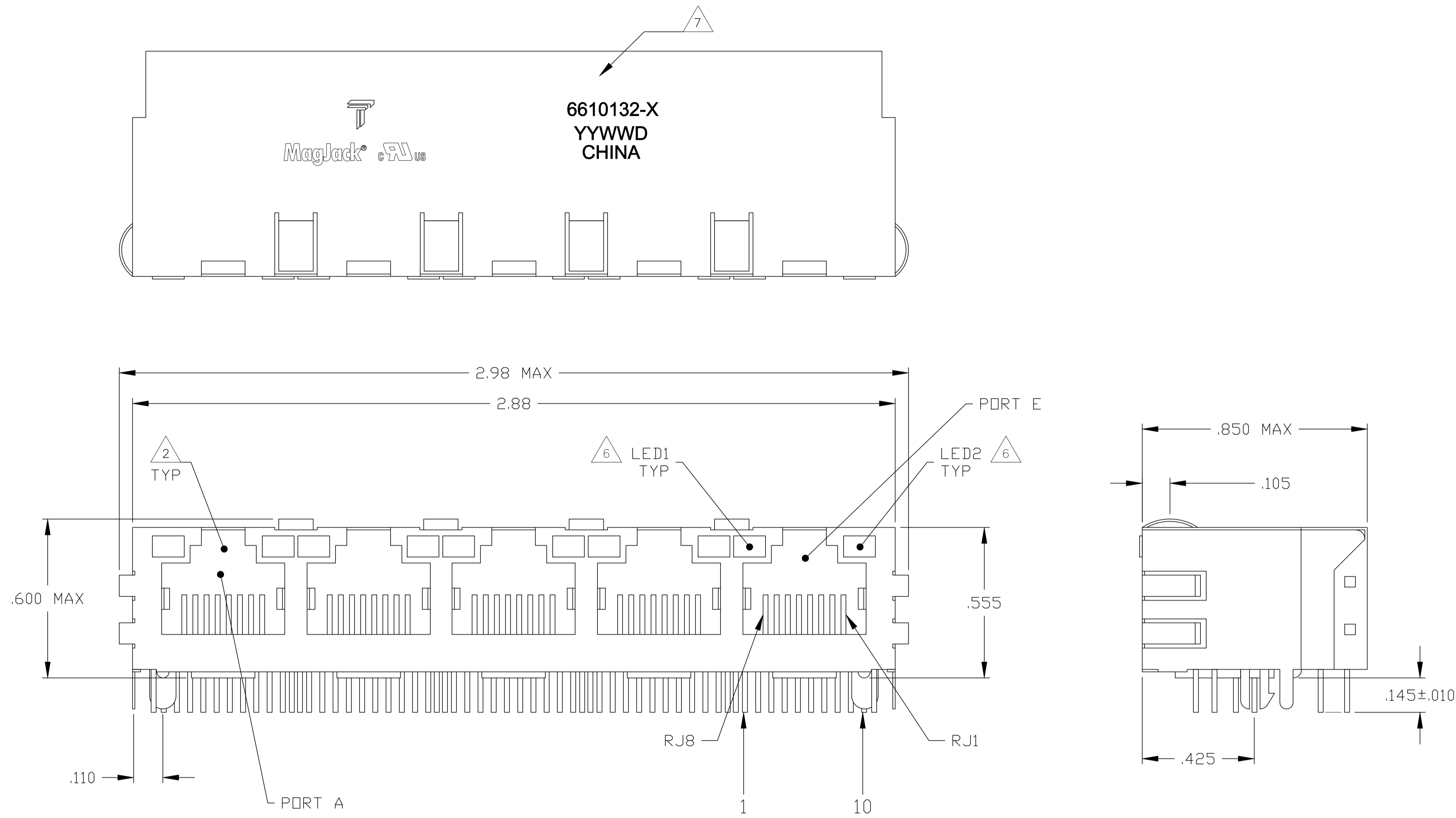


THIS DRAWING AND THE SUBJECT MATTER SHOWN THEREON ARE CONFIDENTIAL AND THE PROPERTY OF BEL/STEWART/TRP CONNECTOR AND SHALL NOT BE REPRODUCED, COPIED, OR USED IN ANY MANNER WITHOUT THE WRITTEN CONSENT OF TRP CONNECTOR.

PRODUCT MAY BE PROTECTED BY ONE OR MORE OF THE FOLLOWING US PATENTS:
 5736910 5939955 6425781 6428361 6554638 6840817 7123117
 7429195 7717749 7808751 6217391 6149050 7924130

REVISIONS				
P	LYR	DESCRIPTION	DATE	APVD
F		EC-1411035 COMPANY LOGO CHANGE	06JAN2015	DZ TL

MECHANICAL:



- 1 MATERIALS:
 -HOUSING - THERMOPLASTIC PET POLYESTER FLAMMABILITY RATING UL 94V-0
 -SHIELD - .010" THICK, C26800 BRASS PREPLATED WITH 30μINCH MIN SEMI-BRIGHT NICKEL. SOLDER TABS POST DIPPED WITH 100μINCH MIN SAC SOLDER.
 -MOD JACK CONTACTS - 0.0157 X 0.018" PHOSPHOR BRONZE, 50μINCH MIN OVERALL NICKEL UNDERPLATE WITH SELECT 50μINCH MIN HARD GOLD FINISH PLATE. SOLDER TAILS WITH 100μINCH MIN MATTE TIN AND/OR SAC SOLDER DIP.
 -LIGHT EMITTING DIODE(LED) - DIFFUSED EPOXY LENS, .020" X .020" CARBON STEEL WIREFRAME LEADS PRE-PLATED WITH 80μINCH SILVER OVER 40μINCH NICKEL UNDERPLATE OVER 40μINCH COPPER UNDERPLATE. POST-PLATED WITH 100μIN MIN MATTE TIN AND/OR SAC SOLDER DIP OR PURE TIN SOLDER DIP.
- 2 RJ45 JACK CAVITY CONFORMS TO FCC RULES AND REGULATIONS PART 68, SUB PART F.
- 3 MAGNETICS
 -APPLICATION: 10/100/1000 BASE-T
 -IMPEDANCE: 100 OHMS
 -TURNS RATIO (CHIP CABLE): 1:1 ALL FOUR PAIRS
 -OPEN CIRCUIT INDUCTANCE (OCL): 350μH MIN @100kHz, 0.1VRMS, 8mADC BIAS FROM 0°C TO 70°C, ALL FOUR PAIRS
 -ALL FOUR PAIRS BI-DIRECTIONAL
 -PERFORMANCE @ 25°C:
 INSERTION LOSS (IL): 1.1dB MAX FROM 0.5MHz TO 100MHz
 RETURN LOSS (RL): 18dB MIN FROM 0.5MHz TO 4.0MHz
 12-20LOG(f/80)dB MIN FROM 4.01MHz TO 100MHz
 CROSSTALK ATTENUATION: 35dB MIN FROM 0.5MHz TO 4.0MHz
 33-20LOG(f/50)dB MIN FROM 4.01MHz TO 100MHz
 COMMON MODE REJECTION RATIO (CMRR): 30dB MIN FROM 0.5MHz TO 100MHz
 -ISOLATION VOLTAGE: 2250VDC (MAX) FOR 60 SECONDS WITH A RISE TIME OF 500V/SEC AND WITH ALL PORTS CONNECTED.
- 4. OPERATING TEMPERATURE: FROM 0°C TO +70°C.
- 5 THE MAGNETICS ARE SYMMETRICAL TO SUPPORT AUTO-MDI/MDIX.
- 6 THE 250 OHM RESISTOR IS OPTIONAL, PLEASE SEE CHART FOR PRESENCE OR ABSENCE OF LED RESISTORS. IF LEDS WITHOUT 250 OHM RESISTOR, LEDS ARE DRIVEN WITH CONSTANT CURRENT AT APPROX 20 mA
 LED COLOR: DOMINANT WAVELENGTH (λD): GREEN 568 nm TYP @ IF=20 mA
 FORWARD VOLTAGE (VF): GREEN 2.2V TYP @ IF=20 mA
 DOMINANT WAVELENGTH (λD): YELLOW 588 nm TYP @ IF=20 mA
 FORWARD VOLTAGE (VF): YELLOW 2.1V TYP @ IF=20 mA
 IF LEDS WITH BUILT-IN RESISTOR, LEDS ARE DRIVEN WITH 5V VOLTAGE AND THE MAX OPERATING CURRENT IS 20mA.
 LED COLOR: DOMINANT WAVELENGTH (λD): GREEN 568 nm TYP @ VF=5V
 FORWARD CURRENT (IF): GREEN 12mA TYP @ VF=5V
 DOMINANT WAVELENGTH (λD): YELLOW 588 nm TYP @ VF=5V
 FORWARD CURRENT (IF): YELLOW 13mA TYP @ VF=5V
- 7 TRP CONNECTOR LOGO, PART NUMBER, DATE CODE, COUNTRY OF ORIGIN AND AGENCY APPROVAL MARKING IN APPROXIMATE LOCATION SHOWN.
- 8 THESE PARTS ARE RECOMMENDED FOR WAVE SOLDERING PROCESS, PREHEAT TEMPERATURE IS 120°C TO 160°C, 120 SECONDS TO 180 SECONDS, PEAK WAVE SOLDERING TEMPERATURE IS 260°C MAX, 10 SECONDS MAX.

	GREEN	YES	GREEN	YES	1-6610132-1
OBSOLETE	YELLOW	NO	YELLOW	NO	1-6610132-0
OBSOLETE	YELLOW	NO	GREEN	NO	6610132-9
	GREEN	NO	YELLOW	NO	6610132-8
OBSOLETE	GREEN	NO	GREEN	NO	6610132-7
	GREEN/YELLOW	NO	GREEN/YELLOW	NO	6610132-6
OBSOLETE	GREEN/YELLOW	NO	GREEN	NO	6610132-5
OBSOLETE	GREEN/YELLOW	NO	GREEN	YES	6610132-4
OBSOLETE	YELLOW	YES	YELLOW	YES	6610132-3
OBSOLETE	YELLOW	YES	GREEN	YES	6610132-2
	GREEN	YES	YELLOW	YES	6610132-1
	LED 1	250 OHMS RESISTOR	LED 2	250 OHMS RESISTOR	PART NUMBER

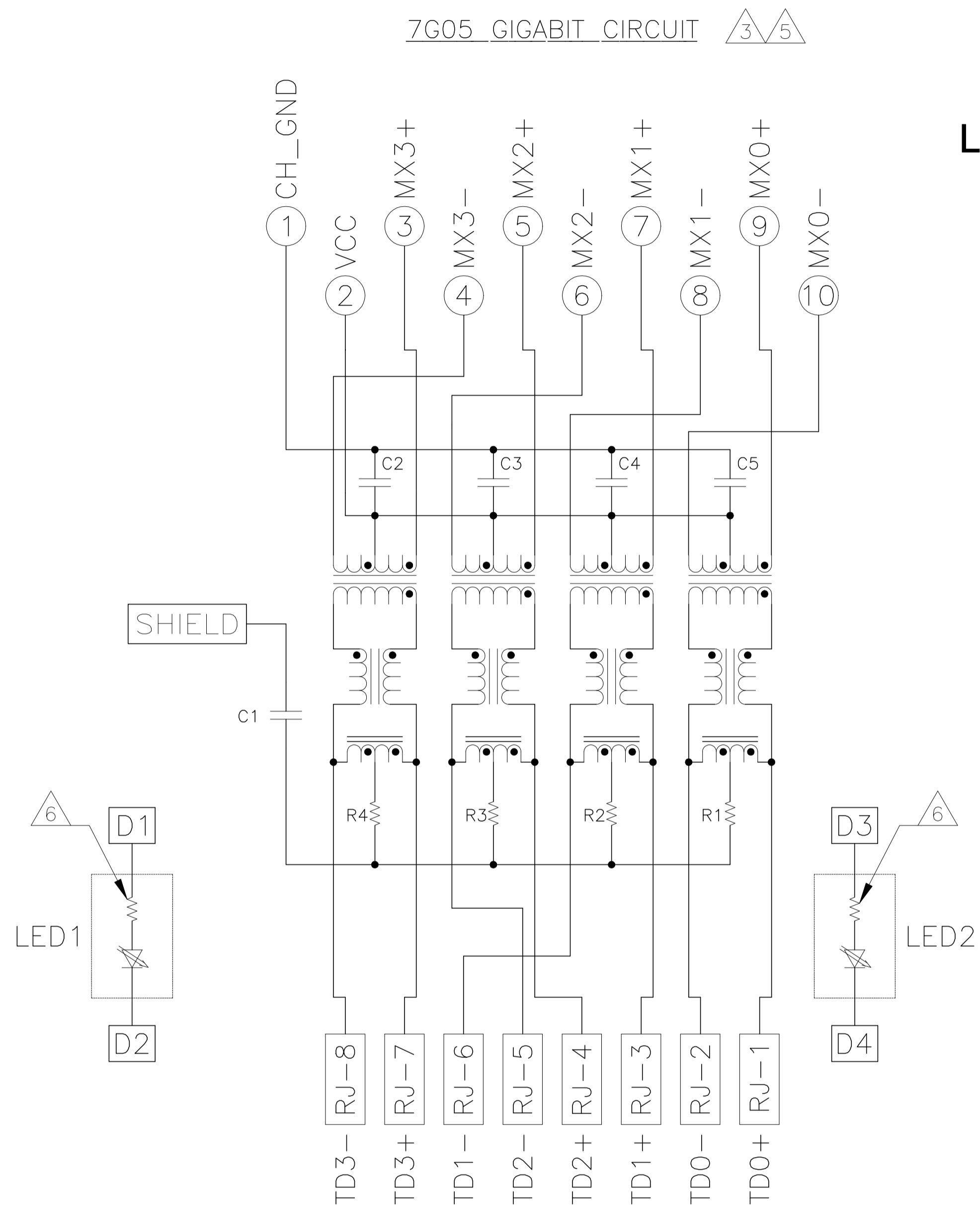
THIS DRAWING IS A CONTROLLED DOCUMENT.

DIMENSIONS: INCHES	TOLERANCES UNLESS OTHERWISE SPECIFIED:	0 PL ± .010	1 PL ± .010	2 PL ± .010	3 PL ± .005	4 PL ± .010	ANGLES ± .010
--------------------	--	-------------	-------------	-------------	-------------	-------------	---------------

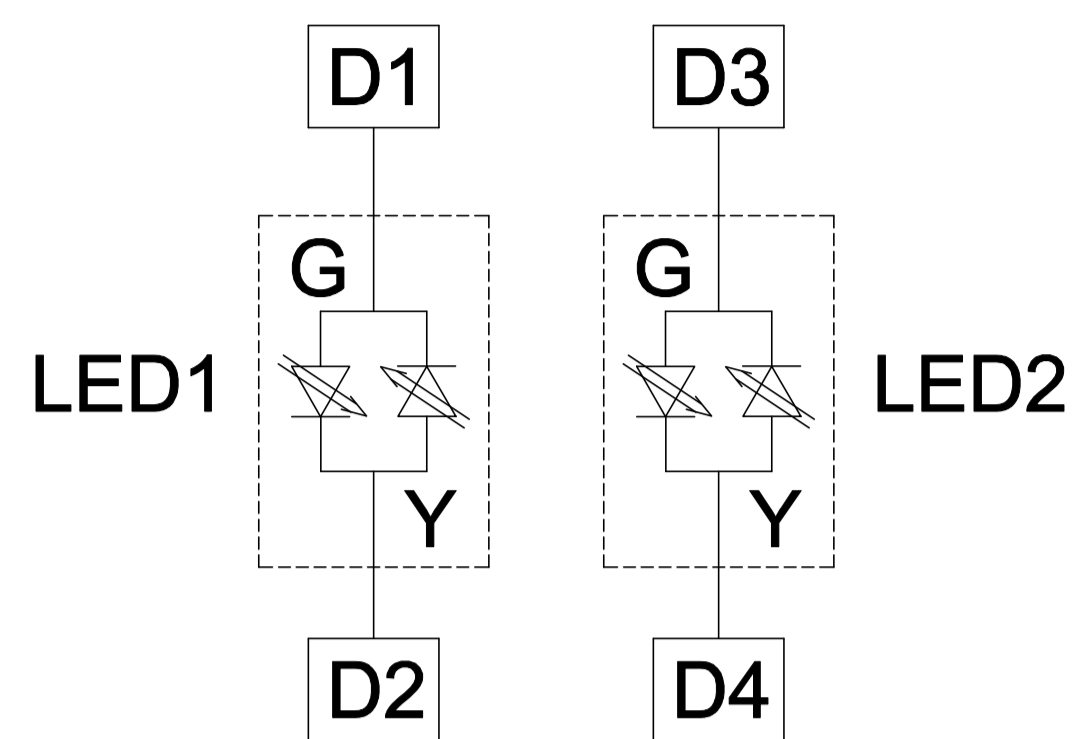
PRODUCT SPEC: 108-2100 APPLICATION SPEC: -

DWN: A. FERNANDEZ-DOCKS 18MAR2005
 CHK: D. FAROLE 18MAR2005
 APVD: D. FAROLE 18MAR2005
 MODEL NAME: MAGJACK GANG
 DESC: 1X5 7G05 GIGABIT TAB UP W/ LED
 SIZE: A1 CAGE CODE: C-6610132 DRAWING NO: -
 RESTRICTED TO: NON-POE

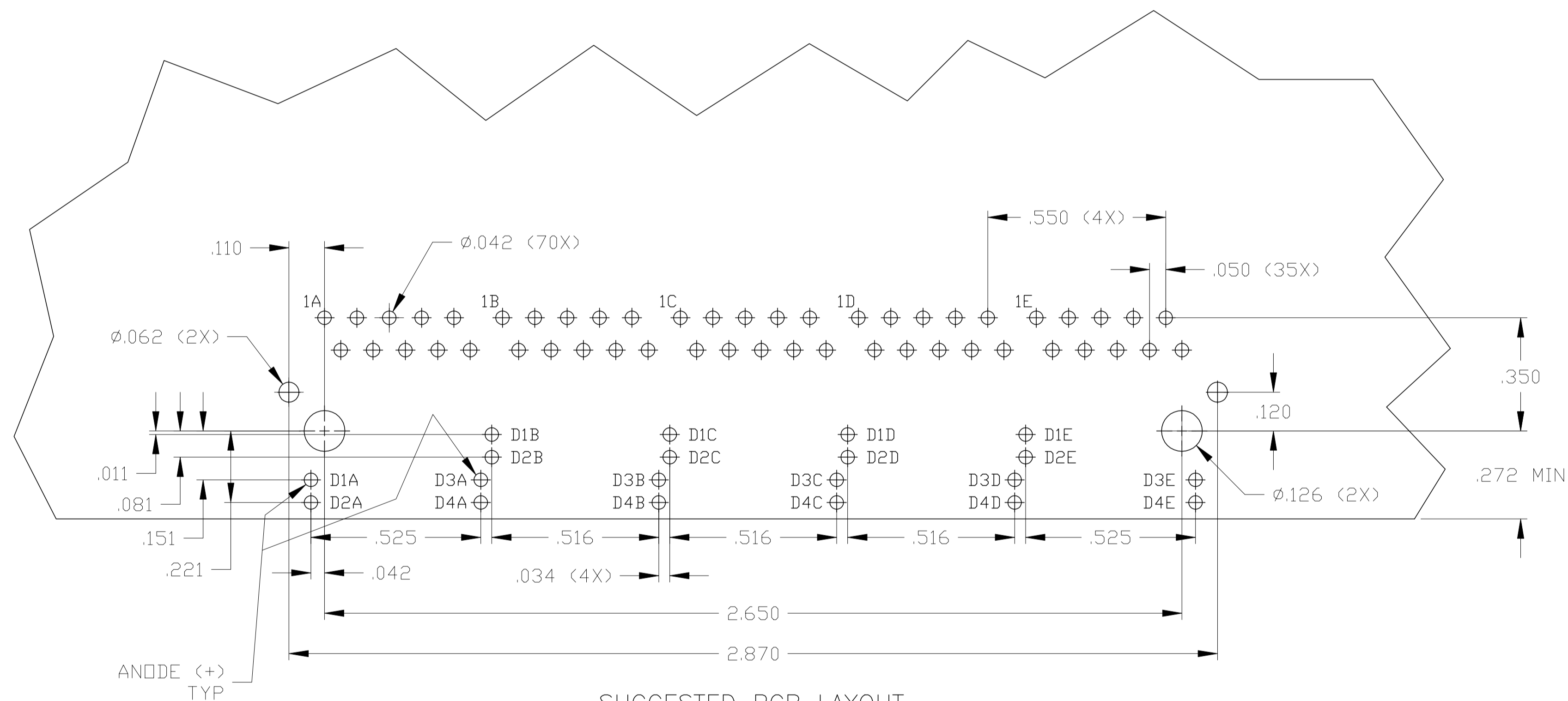
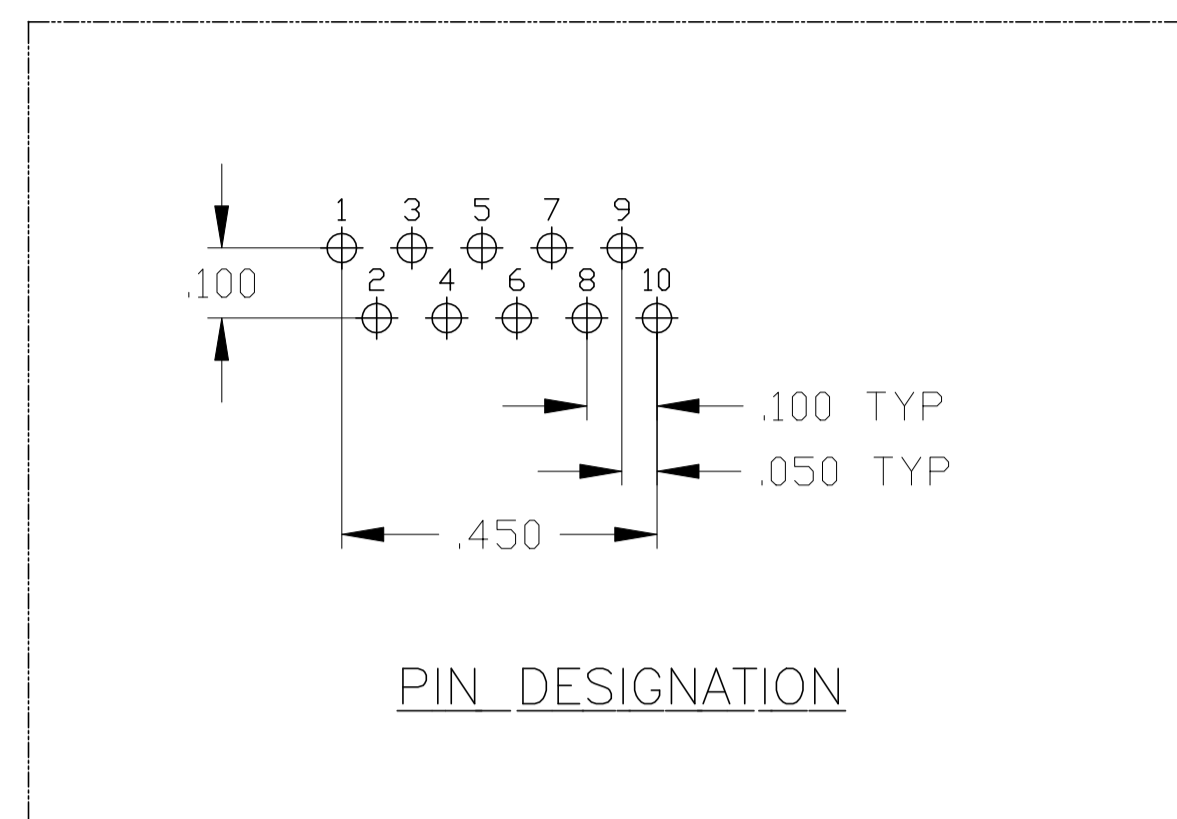
CUSTOMER DRAWING SCALE: NTS SHEET 1 OF 2 REV F



R1-R4 = 75 OHMS, 1/16W RESISTORS
C1 = 1000pF, 2kV CAPACITOR
C2 - C5 = 0.1uF, 10%, 50V CAPACITORS



LED CONFIGURATION FOR BI-COLOR



SUGGESTED PCB LAYOUT (Component Side)

THIS DRAWING IS A CONTROLLED DOCUMENT.		DWN A. FERNANDEZ-DOCKS 18MAR2005		CHK D. FAROLE 18MAR2005		APVD D. FAROLE 18MAR2005		DONGGUAN CHINA					
DIMENSIONS: INCHES		TOLERANCES UNLESS OTHERWISE SPECIFIED:		MODEL NAME		DESC							
		0 PLC ± - 1 PLC ± - 2 PLC ± .010 3 PLC ± .005 4 PLC ± - ANGLES ± -		MAGJACK GANG		1X5 7G05 GIGABIT TAB UP W/ LED							
PRODUCT SPEC 108-2100		APPLICATION SPEC		NON-POE		SIZE A1		CAGE CODE C=6610132		DRAWING NO -		RESTRICTED TO -	
CUSTOMER DRAWING						SCALE NTS		SHEET 2 OF 2		REV F			