



Chipsmall Limited consists of a professional team with an average of over 10 year of expertise in the distribution of electronic components. Based in Hongkong, we have already established firm and mutual-benefit business relationships with customers from,Europe,America and south Asia,supplying obsolete and hard-to-find components to meet their specific needs.

With the principle of “Quality Parts,Customers Priority,Honest Operation,and Considerate Service”,our business mainly focus on the distribution of electronic components. Line cards we deal with include Microchip,ALPS,ROHM,Xilinx,Pulse,ON,Everlight and Freescale. Main products comprise IC,Modules,Potentiometer,IC Socket,Relay,Connector.Our parts cover such applications as commercial,industrial, and automotives areas.

We are looking forward to setting up business relationship with you and hope to provide you with the best service and solution. Let us make a better world for our industry!



## Contact us

Tel: +86-755-8981 8866 Fax: +86-755-8427 6832

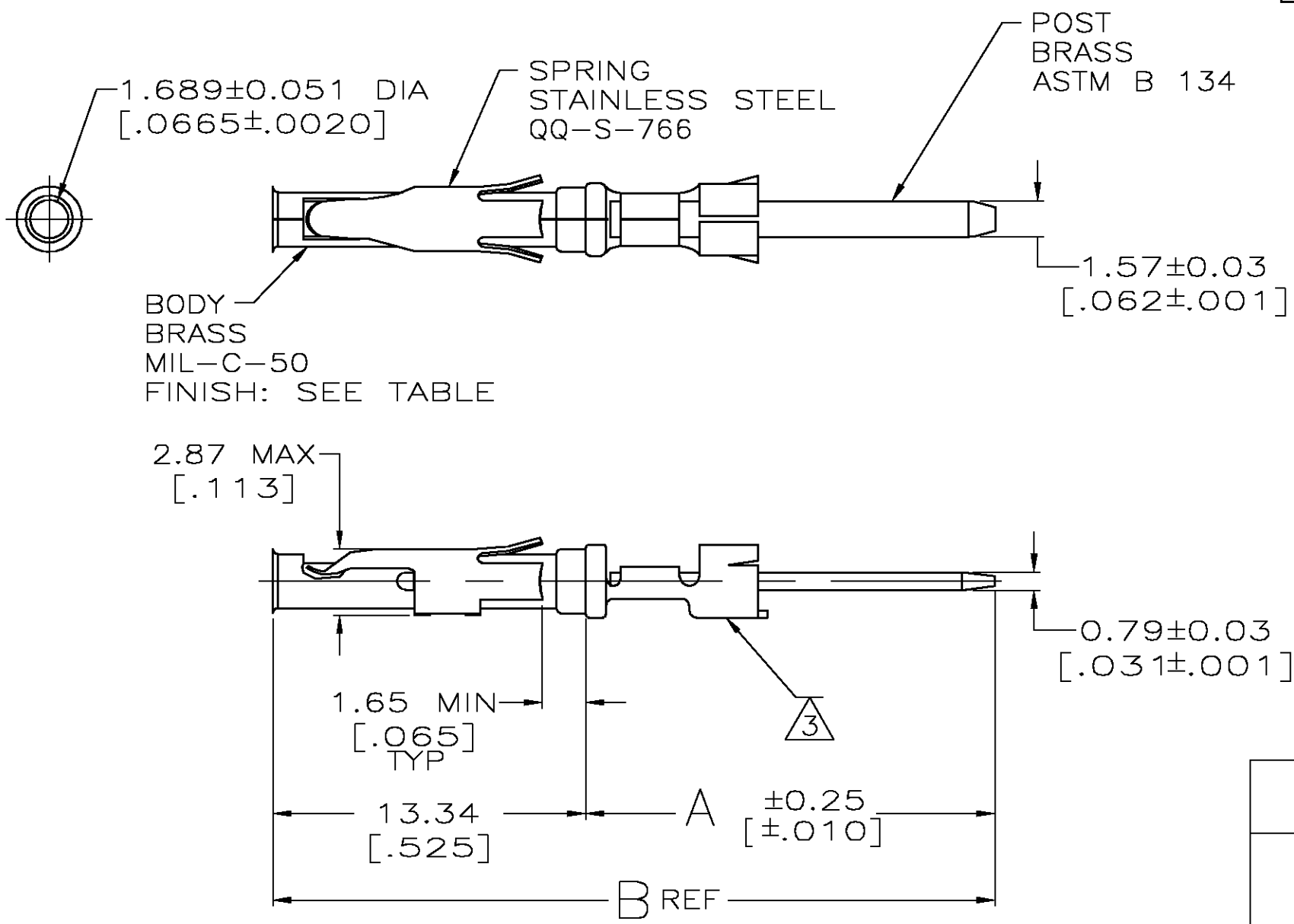
Email & Skype: info@chipsmall.com Web: www.chipsmall.com

Address: A1208, Overseas Decoration Building, #122 Zhenhua RD., Futian, Shenzhen, China



THIS DRAWING IS UNPUBLISHED. RELEASED FOR PUBLICATION  
 © COPYRIGHT BY TYCO ELECTRONICS CORPORATION. ALL RIGHTS RESERVED.

LOC	DIST	REVISIONS					
FT	0	P	LTR	DESCRIPTION	DATE	DWN	APVD
			T	REVISE PER 0G3B-1137-04	12/16/04	SS	GS



OBSOLETE

OBSOLETE

OBSOLETE

5	43.08 [1.696]	29.74 [1.171]	3	4	1-66459-0
2	43.08 [1.696]	29.74 [1.171]	3	4	66459-9
	31.14 [1.226]	17.81 [.701]	1	4	66459-7
	43.08 [1.696]	29.74 [1.171]	3	1	66459-3
	31.14 [1.226]	17.81 [.701]	1	1	66459-1
POST FINISH	B	A	NO OF TERM	BODY FINISH	PART NUMBER

- 1 1.27um[.000050] MIN TIN-LEAD PER MIL-T-10727 OVER  
1.27um[.000050] MIN NICKEL PER QQ-N-290.
- 2 2.54um[.000100] MIN TIN-LEAD PER MIL-T-10727 OVER  
1.27um[.000050] MIN NICKEL PER QQ-N-290.
- 3 GOLD PLATING NEED NOT APPEAR ON WIRE BARREL.
- 4 0.76um[.000030] MIN GOLD PER MIL-G-45204 ON  
MATING END FOR A LENGTH OF 5.08[.200] MIN,  
GOLD FLASH ON THE REMAINDER OVER  
0.76um[.000030] MIN NICKEL PER QQ-N-290.
- 5 2.54um[.000100] MIN TIN PER MIL-T-10727 OVER  
1.27um[.000050] MIN NICKEL PER QQ-N-290.

THIS DRAWING IS A CONTROLLED DOCUMENT.

DIMENSIONS: mm [INCHES]	TOLERANCES UNLESS OTHERWISE SPECIFIED:	DWN M.BINNER 16 APR 96	Tyco Electronics Corporation Harrisburg, Pa 17105-3608	
	0 PLC ± - 1 PLC ± - 2 PLC ± 0.13 [.005] 3 PLC ± - 4 PLC ± - ANGLES ± -	CHK R.STONE 01 MAY 96	NAME	
		APVD M.MCALONIS 16 MAY 96	SOCKET CONTACT, CRIMPED .062 DIA, .031 X .062 TERMI-POINT POST, AUTOWIRE	
MATERIAL SEE CALLOUT	FINISH SEE CALLOUT	PRODUCT SPEC -	APPLICATION SPEC -	RESTRICTED TO -
CUSTOMER DRAWING		WEIGHT -	SIZE A3	CAGE CODE 00779
		DRAWING NO C-66459		REV T
		SCALE 4:1		SHEET 1 OF 1