



Chipsmall Limited consists of a professional team with an average of over 10 year of expertise in the distribution of electronic components. Based in Hongkong, we have already established firm and mutual-benefit business relationships with customers from,Europe,America and south Asia,supplying obsolete and hard-to-find components to meet their specific needs.

With the principle of “Quality Parts,Customers Priority,Honest Operation,and Considerate Service”,our business mainly focus on the distribution of electronic components. Line cards we deal with include Microchip,ALPS,ROHM,Xilinx,Pulse,ON,Everlight and Freescale. Main products comprise IC,Modules,Potentiometer,IC Socket,Relay,Connector.Our parts cover such applications as commercial,industrial, and automotives areas.

We are looking forward to setting up business relationship with you and hope to provide you with the best service and solution. Let us make a better world for our industry!



Contact us

Tel: +86-755-8981 8866 Fax: +86-755-8427 6832

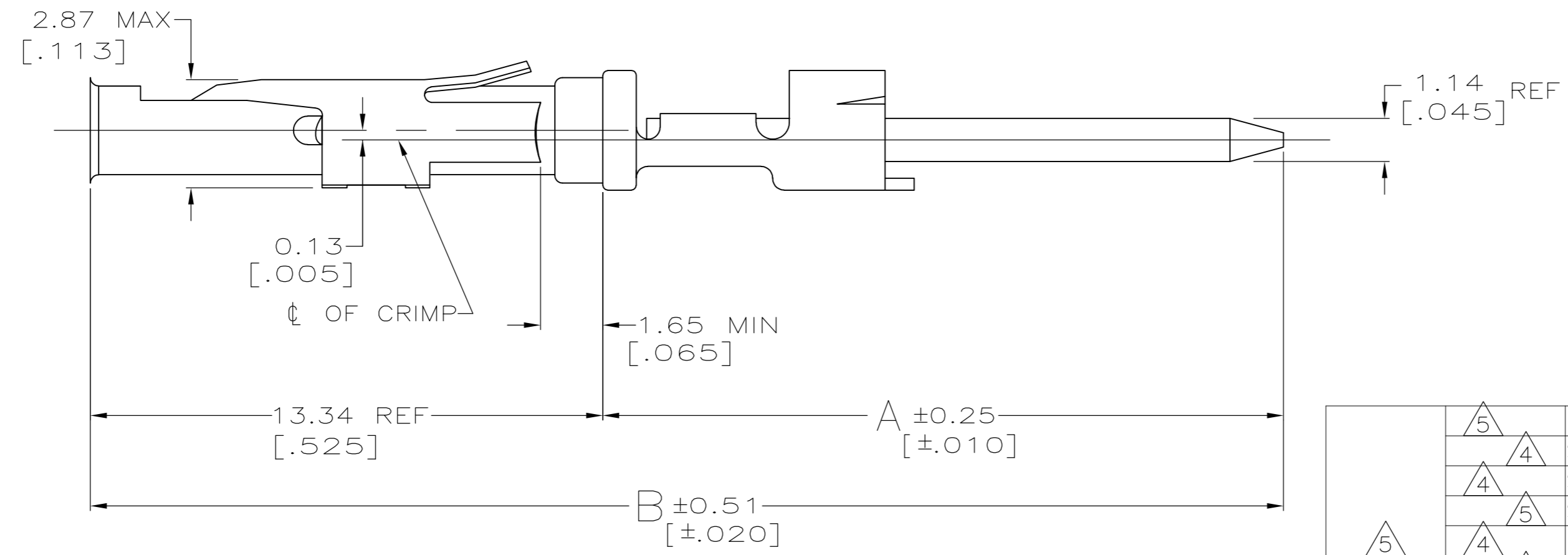
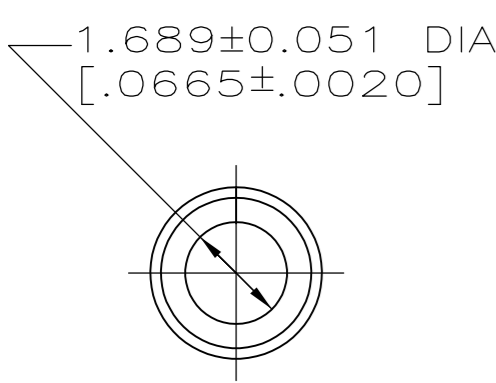
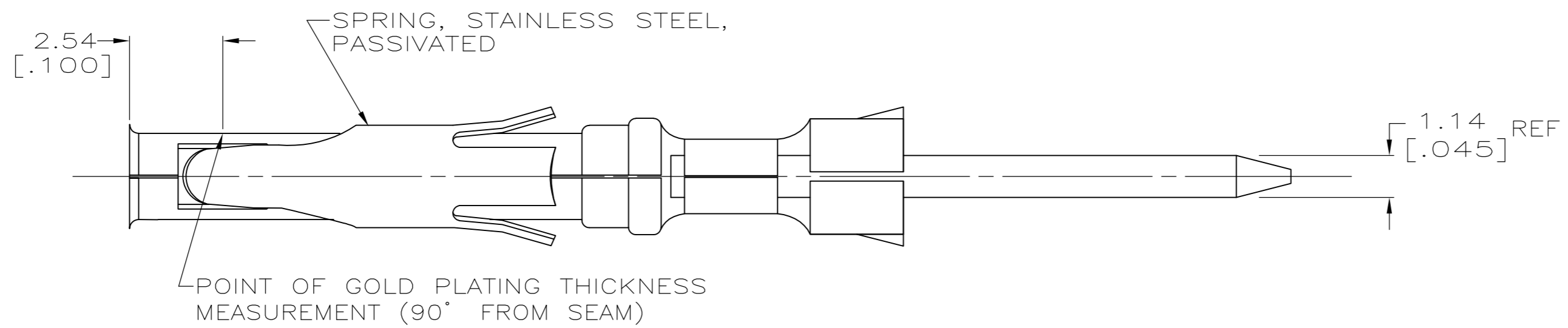
Email & Skype: info@chipsmall.com Web: www.chipsmall.com

Address: A1208, Overseas Decoration Building, #122 Zhenhua RD., Futian, Shenzhen, China



THIS DRAWING IS UNPUBLISHED. RELEASED FOR PUBLICATION
 © COPYRIGHT BY TYCO ELECTRONICS CORPORATION. ALL RIGHTS RESERVED.

LOC	DIST	REVISIONS					
FT	0	P	LTR	DESCRIPTION	DATE	DWN	APVD
		AA2		REVISED PER ECO-05-16380	12/23/05	SS	GS
		AA3		REVISED PER ECO-09-020689	28AUG09	KK	AEG



NOTES:

- GOLD PLATING NEED NOT APPEAR ON INSULATION SUPPORT STABILIZER.
- 2.54um [.000100] MIN TIN-LEAD PER 112-26-1 OVER 1.27um [.000050] MIN NICKEL PER 112-25-2.
- 2.54um [.000100] MIN TIN-LEAD OVER 1.27um [.000050] MIN NICKEL.
- 0.76um [.000030] MIN GOLD PER MIL-G-45204 ON MATING END FOR A LENGTH OF 5.08 [.200] MIN WITH A UNIFORM GRADIENT TO 0.25um [.000010] MIN GOLD PER MIL-G-45204 ON THE REMAINDER OVER 0.76um [.000030] MIN NICKEL PER QQ-N-290.
- 2.54um [.000100] MIN TIN OVER 1.27um [.000050] MIN NICKEL.
- OBSELETE PARTS: OBSELETE CIS STREAMLINING PER D.RENAUD/D.SINISI

FINISH (POST)	FINISH (BODY)	NO OF TERM	A	B	PART NUMBER
5	5	2	23.27 [.916]	36.60 [1.441]	2-66473-4
4	4	SPECIAL	21.59 [.850]	34.93 [1.375]	2-66473-3
4	5	SPECIAL	14.86 [.585]	28.19 [1.110]	2-66473-2
5	5	SPECIAL	13.72 [.540]	27.05 [1.065]	2-66473-1
4	4	3	29.74 [1.171]	43.08 [1.696]	2-66473-0
5	4	1	17.81 [.701]	31.14 [1.226]	1-66473-9
4	5	3	29.74 [1.171]	43.08 [1.696]	1-66473-8
4	5	1	17.81 [.701]	31.14 [1.226]	1-66473-7
4	4	2	23.27 [.916]	36.60 [1.441]	1-66473-6
3	4	SPECIAL	14.86 [.585]	28.19 [1.110]	1-66473-5
3	2	SPECIAL	13.72 [.540]	27.05 [1.065]	1-66473-4
3	4	2	23.27 [.916]	36.60 [1.441]	1-66473-1
3	4	1	17.81 [.701]	31.14 [1.226]	1-66473-0
3	4	3	29.74 [1.171]	43.08 [1.696]	66473-9
3	4	1	17.81 [.701]	31.14 [1.226]	66473-7
3	2	3	29.74 [1.171]	43.08 [1.696]	66473-3
2	2	1	17.81 [.701]	31.14 [1.226]	66473-1

SUPERCEDED BY 1776003-2

THIS DRAWING IS A CONTROLLED DOCUMENT. DWN D. HARDY 05/02/94
 CHK W.G. LENKER 05/17/94

Tyco Electronics Corporation
 Harrisburg, PA 17105-3608

SOCKET CONTACT, CRIMPED
 1.57 [.062] DIA, 1.14 [.045] x
 1.14 [.045] POST (W.W.)

SIZE A2 CAGE CODE 00779 DRAWING NO C-66473 RESTRICTED TO -

MATERIAL BRASS PER ASTM B-36 FINISH - WEIGHT - SCALE 8:1 SHEET 1 OF 1 REV AA3

CUSTOMER DRAWING