



Chipsmall Limited consists of a professional team with an average of over 10 year of expertise in the distribution of electronic components. Based in Hongkong, we have already established firm and mutual-benefit business relationships with customers from,Europe,America and south Asia,supplying obsolete and hard-to-find components to meet their specific needs.

With the principle of “Quality Parts,Customers Priority,Honest Operation,and Considerate Service”,our business mainly focus on the distribution of electronic components. Line cards we deal with include Microchip,ALPS,ROHM,Xilinx,Pulse,ON,Everlight and Freescale. Main products comprise IC,Modules,Potentiometer,IC Socket,Relay,Connector.Our parts cover such applications as commercial,industrial, and automotives areas.

We are looking forward to setting up business relationship with you and hope to provide you with the best service and solution. Let us make a better world for our industry!



## Contact us

Tel: +86-755-8981 8866 Fax: +86-755-8427 6832

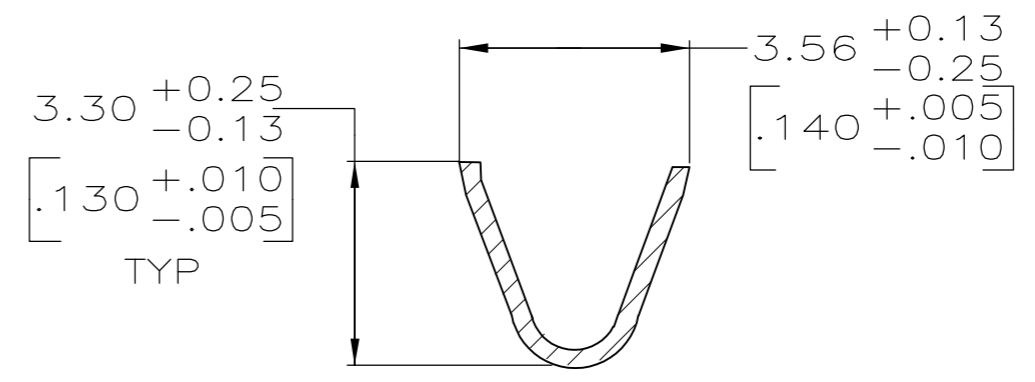
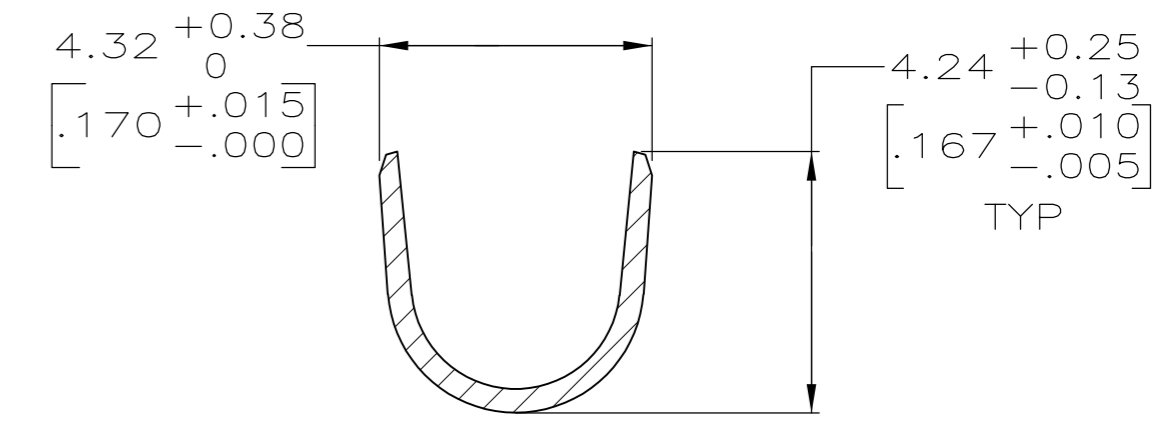
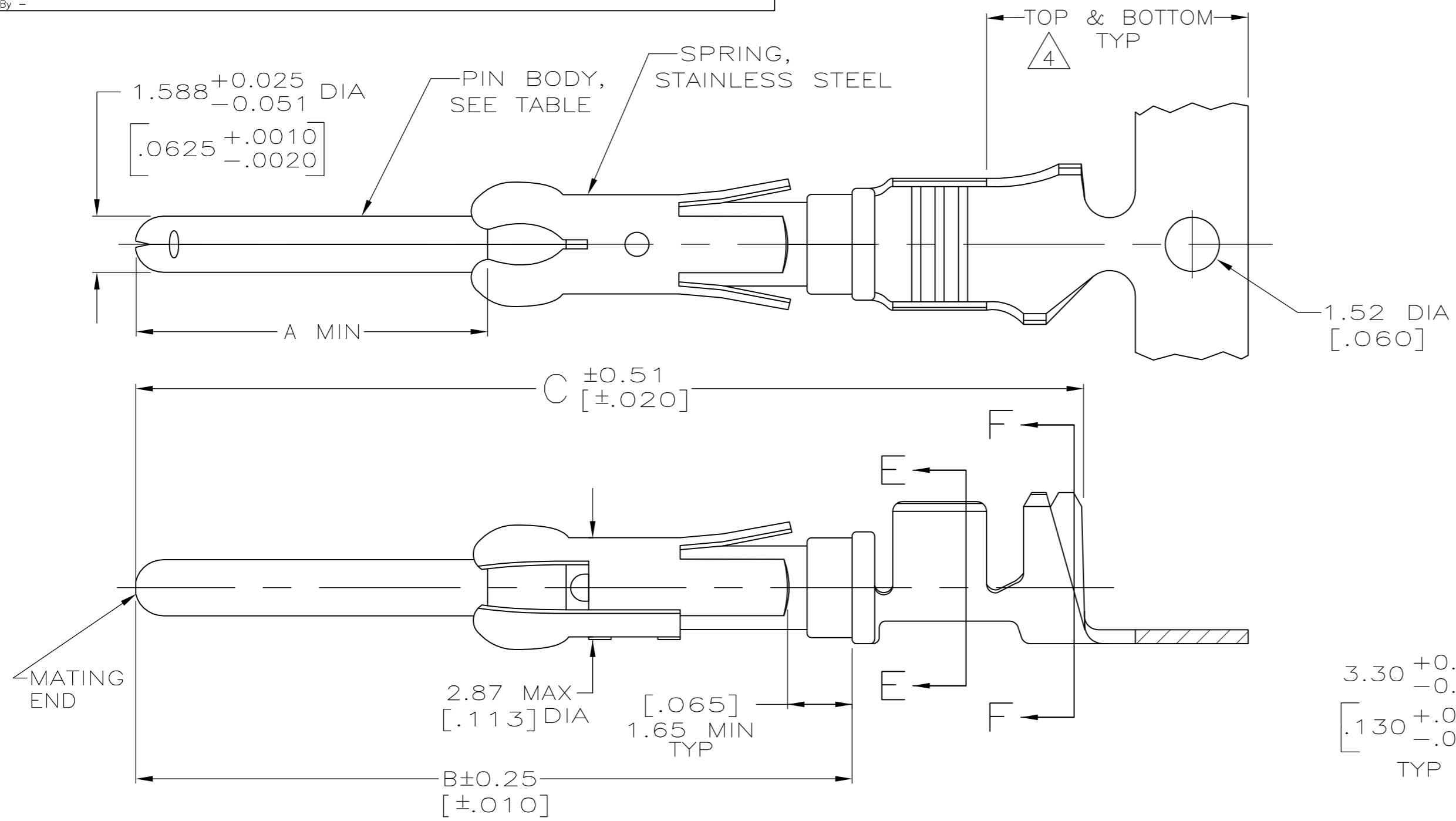
Email & Skype: info@chipsmall.com Web: www.chipsmall.com

Address: A1208, Overseas Decoration Building, #122 Zhenhua RD., Futian, Shenzhen, China



THIS DRAWING IS UNPUBLISHED. RELEASED FOR PUBLICATION  
 © COPYRIGHT - By - ALL RIGHTS RESERVED.

LOC		DIST		REVISIONS			
P	LTR	DESCRIPTION	DATE	DWN	APVD		
FT	0	W	REVISED PER ECO-12-012316	05JUL12	KH	MZ	



- 1 REELED FOR MINI-APPLICATOR.
- 2  $0.76\mu\text{m}$   $[\pm.000030]$  MIN PRECIOUS METAL PLATE ON MATING END FOR A LENGTH OF  $5.08$   $[\pm.200]$  MIN OVER  $1.27\mu\text{m}$   $[\pm.000050]$  MIN NICKEL PLATE. GOLD FLASH ALL OVER. CONFORMS TO THE REQUIREMENTS OF TE CONNECTIVITY PRODUCT SPEC 108-10042, BASED ON EIA/ECA-364-1000.01A ( CONTROLLED ENVIRONMENT APPLICATIONS ).
- 3  $1.27\mu\text{m}$   $[\pm.000050]$  MIN TIN-LEAD PER MIL-T-10727 OVER  $1.27\mu\text{m}$   $[\pm.000050]$  MIN NICKEL PER QQ-N-290.
- 4 GOLD PLATING NEED NOT APPEAR IN THIS AREA.
- 5 BRASS
- 6 PHOSPHOR BRONZE
- 7 WIRE RANGE 14-18 AWG.
- 8 INSULATION RANGE  $2.79$   $[\pm.110]$ - $3.81$   $[\pm.150]$  DIA.
- 9  $0.38\mu\text{m}$   $[\pm.000015]$  MIN GOLD PER MIL-G-45204 ON MATING END FOR A LENGTH OF  $5.08$   $[\pm.200]$  MIN,  $1.27\mu\text{m}$   $[\pm.000050]$  MIN TIN-LEAD PER MIL-T-10727 FOR A LENGTH OF  $5.69$   $[\pm.224]$  MIN ON OPPOSITE END, BOTH OVER  $1.27\mu\text{m}$   $[\pm.000050]$  MIN NICKEL PER QQ-N-290 ON ENTIRE CONTACT.
- 10 OBSOLETE PART NUMBER.
- 11  $1.27\mu\text{m}$   $[\pm.000050]$  MIN TIN PER MIL-T-10727 OVER  $1.27\mu\text{m}$   $[\pm.000050]$  MIN NICKEL PER Q-N-290.
- 12 COPPER NICKEL ALLOY.
- 13  $0.38\mu\text{m}$   $[\pm.000015]$  MIN GOLD PER MIL-G-45204 ON MATING END FOR A LENGTH OF  $5.08$   $[\pm.200]$  MIN. WITH GOLD FLASH ON THE REMAINDER, OVER  $1.27\mu\text{m}$   $[\pm.000050]$  MIN NICKEL PER QQ-N-290.
- 14 PRELIMINARY - NOT FOR PRODUCTION.

- 15 OBSOLETE PARTS: OBSOLETE CIS STREAMLINING PER D.RENAUD/D.SINISI
- 16  $0.76\mu\text{m}$   $[\pm.000030]$  MIN PRECIOUS METAL PLATE ON MATING END FOR A LENGTH OF  $5.08$   $[\pm.200]$  MIN WITH  $1.27\mu\text{m}$   $[\pm.000050]$  MIN MATTE TIN PLATE IN WIRE CRIMP AREA, BOTH OVER  $1.27\mu\text{m}$   $[\pm.000050]$  MIN NICKEL PLATE. CONFORMS TO THE REQUIREMENTS OF TE CONNECTIVITY PRODUCT SPEC 108-10042, BASED ON EIA/ECA-364-1000.01A ( CONTROLLED ENVIRONMENT APPLICATIONS ).

	26.75[1.053]	20.24[.797]	9.91[.390]	1	13	12	-	14	1-66597-2
	26.75[1.053]	20.24[.797]	9.91[.390]	1	11	12	1-66602-0		1-66597-1
	26.75[1.053]	20.24[.797]	9.91[.390]	1	2	12	66602-9		1-66597-0
15 OBSOLETE	26.75[1.053]	20.24[.797]	9.91[.390]	1	11	6	-		<del>66597-9</del>
	26.75[1.053]	20.24[.797]	9.91[.390]	1	11	5	66602-8		66597-8
OBSOLETE	26.75[1.053]	20.24[.797]	9.91[.390]	1	9	5	<del>66602-5</del>		<del>66597-7</del>
OBSOLETE	30.43[1.198]	23.93[.942]	13.59[.535]	1	3	5	-		<del>66597-6</del>
OBSOLETE	26.75[1.053]	20.24[.797]	9.91[.390]	1	2	6	66602-4		66597-5
OBSOLETE	26.75[1.053]	20.24[.797]	9.91[.390]	1	3	6	66602-3		66597-4
	26.75[1.053]	20.24[.797]	9.91[.390]	1	16	5	66602-2		66597-2
	26.75[1.053]	20.24[.797]	9.91[.390]	1	3	5	66602-1		66597-1
	C	B	A	REELING	PIN BODY FINISH	PIN BODY	LOOSE PIECE REF		PART NO

THIS DRAWING IS A CONTROLLED DOCUMENT.

DIMENSIONS: mm [INCHES]	TOLERANCES UNLESS OTHERWISE SPECIFIED: 0 PLC ± - 1 PLC ± - 2 PLC ± 0.13[.005] 3 PLC ± - 4 PLC ± - ANGLES ± -	DWN R.SHIREY 7-22-91 CHK R.STONE 8-15-91 APVD J.WESTMAN 8-19-91 PRODUCT SPEC APPLICATION SPEC WEIGHT -	NAME SIZE A2 CAGE CODE 00779 DRAWING NO C=66597 RESTRICTED TO -
MATERIAL SEE CALLOUTS	FINISH SEE TABLE	CUSTOMER DRAWING	SCALE 8:1 SHEET 1 of 1 REV W

TE Connectivity  
 PIN ASSEMBLY, .062, TYPE III+