



Chipsmall Limited consists of a professional team with an average of over 10 year of expertise in the distribution of electronic components. Based in Hongkong, we have already established firm and mutual-benefit business relationships with customers from,Europe,America and south Asia,supplying obsolete and hard-to-find components to meet their specific needs.

With the principle of “Quality Parts,Customers Priority,Honest Operation,and Considerate Service”,our business mainly focus on the distribution of electronic components. Line cards we deal with include Microchip,ALPS,ROHM,Xilinx,Pulse,ON,Everlight and Freescale. Main products comprise IC,Modules,Potentiometer,IC Socket,Relay,Connector.Our parts cover such applications as commercial,industrial, and automotives areas.

We are looking forward to setting up business relationship with you and hope to provide you with the best service and solution. Let us make a better world for our industry!



## Contact us

Tel: +86-755-8981 8866 Fax: +86-755-8427 6832

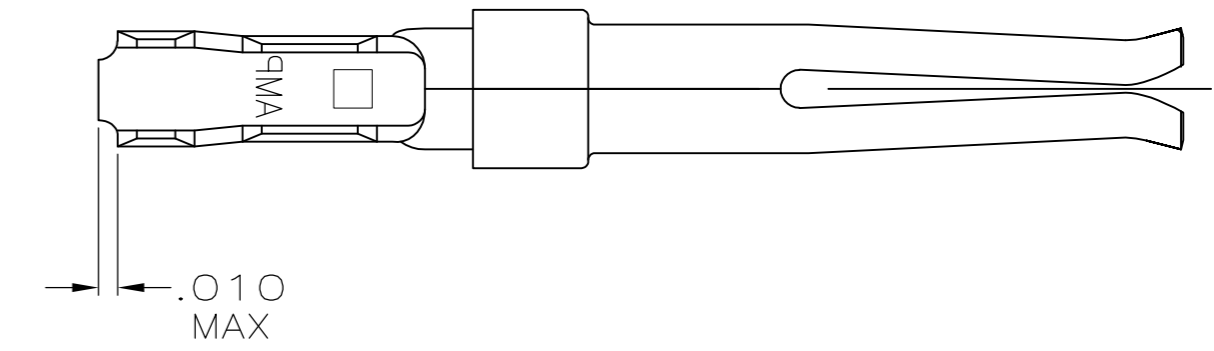
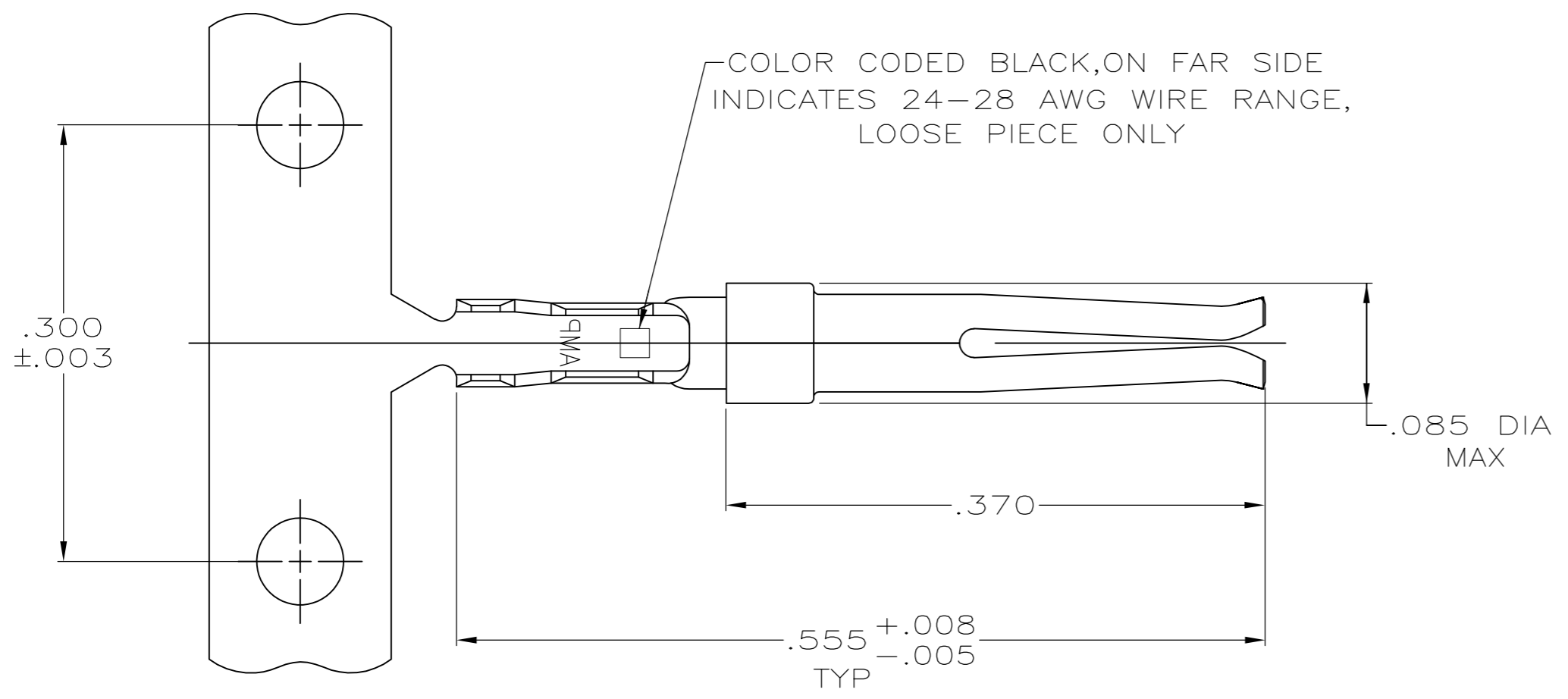
Email & Skype: info@chipsmall.com Web: www.chipsmall.com

Address: A1208, Overseas Decoration Building, #122 Zhenhua RD., Futian, Shenzhen, China

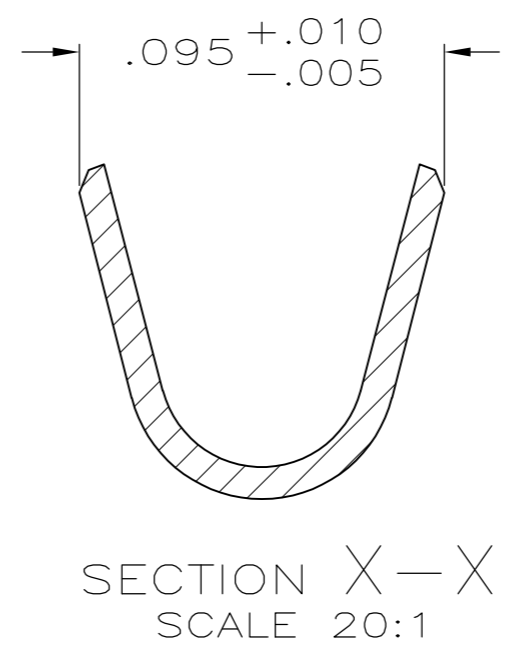
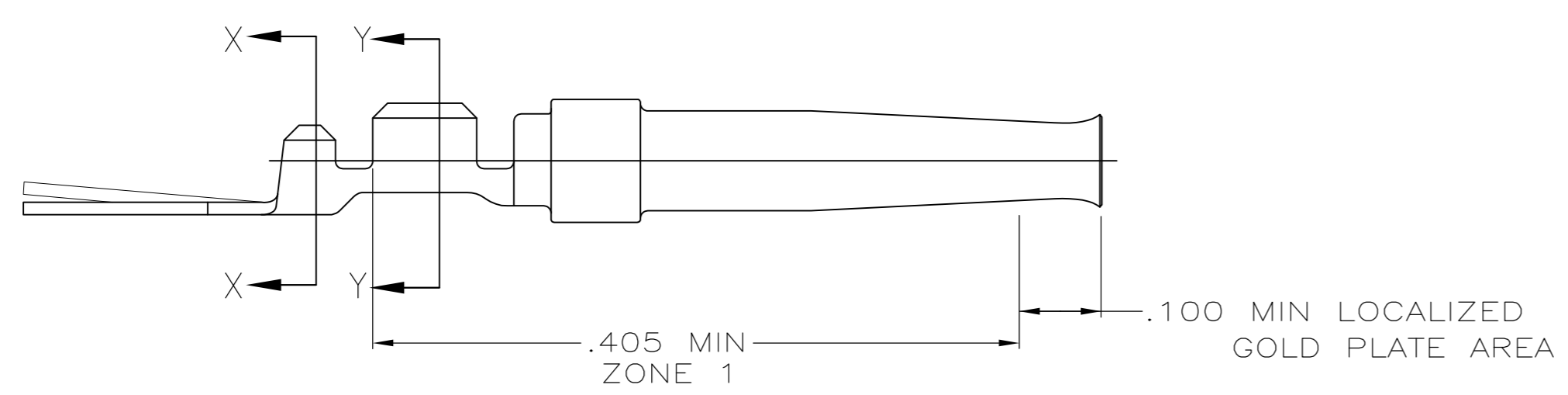


THIS DRAWING IS UNPUBLISHED. RELEASED FOR PUBLICATION  
 © COPYRIGHT - By - ALL RIGHTS RESERVED.

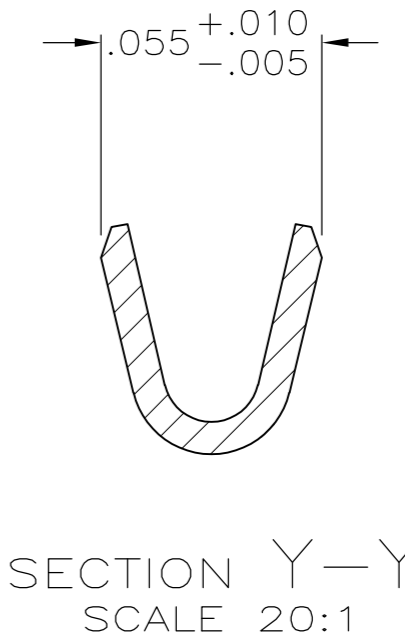
LOC	DIST	REVISIONS					
GP	00	P	LTR	DESCRIPTION	DATE	DWN	APVD
		N		REVISED PER ECO-12-021696	27FEB2013	CJV	CWR



DETAIL Z



SECTION X-X  
SCALE 20:1



SECTION Y-Y  
SCALE 20:1

- 1 GOLD PLATING PER MIL-G-45204  
NICKEL PLATING PER QQ-N-290  
TIN PLATING PER MIL-T-10727.
- 2 .000030 MIN GOLD IN LOCALIZED PLATE AREA, .000100 MIN TIN ON WIRE BARRELS, ALL OVER .000050 MIN NICKEL.
- 3 GOLD FLASH IN LOCALIZED PLATE AREA, .000100 MIN TIN ON WIRE BARRELS, ALL OVER .000030 MIN NICKEL.
- 4. CRIMP STRIP USING AMP MINI APPLICATOR.
- 5. CRIMP LOOSE PIECE USING AMP HAND TOOL ONLY.
- 6. CONTACT ACCEPTS WIRE RANGE OF 24-28 AWG AND INSULATION RANGE OF .050-.060.
- 7 PLATED WITH .000030 GOLD ON INSIDE OF LOCALIZED GOLD PLATE AREA, GOLD FLASH ON ZONE 1, ALL OVER .000050 NICKEL UNDERPLATE.  
-OR-  
GOLD FLASH OVER PALLADIUM NICKEL .000030 TOTAL ON INSIDE OF LOCALIZED GOLD PLATE AREA, GOLD FLASH ON ZONE 1, ALL OVER .000050 NICKEL UNDERPLATE.

SUPERSEDED BY 66683-4	2	SEE DETAIL Z	1-66683-2
OBSOLETE	2	-	1-66683-0
SUPERSEDED BY 66683-4	3	SEE DETAIL Z	66683-9
OBSOLETE	3	-	66683-7
	4	SEE DETAIL Z	66683-4
	7	-	66683-2
FINISH		LOOSE PIECE	PART NUMBER

THIS DRAWING IS A CONTROLLED DOCUMENT. DIMENSIONING AND TOLERANCING PER ASME Y14.5M-2009		DWN C.REIFSNYDER 23 JAN 96		
DIMENSIONS: INCHES		CHK R.STONE 26 MAR 96		
TOLERANCES UNLESS OTHERWISE SPECIFIED:		APVD P.FEINBERG 04 APR 96	NAME	
0 PLC ± -		PRODUCT SPEC	SOCKET CONTACT, SIZE 20 DF, AMPLIMITE™	
1 PLC ± -		APPLICATION SPEC	SIZE	CAGE CODE
2 PLC ± -			A2	00779
3 PLC ± .005			DRAWING NO	RESTRICTED TO
4 PLC ± -			C=66683	-
ANGLES ± -		WEIGHT	SCALE	SHEET
FINISH SEE TABLE		-	10:1	1 of 1
MATERIAL PHOSPHOR BRONZE PER QQ-B-750		CUSTOMER DRAWING	REV	N