



Chipsmall Limited consists of a professional team with an average of over 10 year of expertise in the distribution of electronic components. Based in Hongkong, we have already established firm and mutual-benefit business relationships with customers from,Europe,America and south Asia,supplying obsolete and hard-to-find components to meet their specific needs.

With the principle of “Quality Parts,Customers Priority,Honest Operation,and Considerate Service”,our business mainly focus on the distribution of electronic components. Line cards we deal with include Microchip,ALPS,ROHM,Xilinx,Pulse,ON,Everlight and Freescale. Main products comprise IC,Modules,Potentiometer,IC Socket,Relay,Connector.Our parts cover such applications as commercial,industrial, and automotives areas.

We are looking forward to setting up business relationship with you and hope to provide you with the best service and solution. Let us make a better world for our industry!



## Contact us

Tel: +86-755-8981 8866 Fax: +86-755-8427 6832

Email & Skype: info@chipsmall.com Web: www.chipsmall.com

Address: A1208, Overseas Decoration Building, #122 Zhenhua RD., Futian, Shenzhen, China



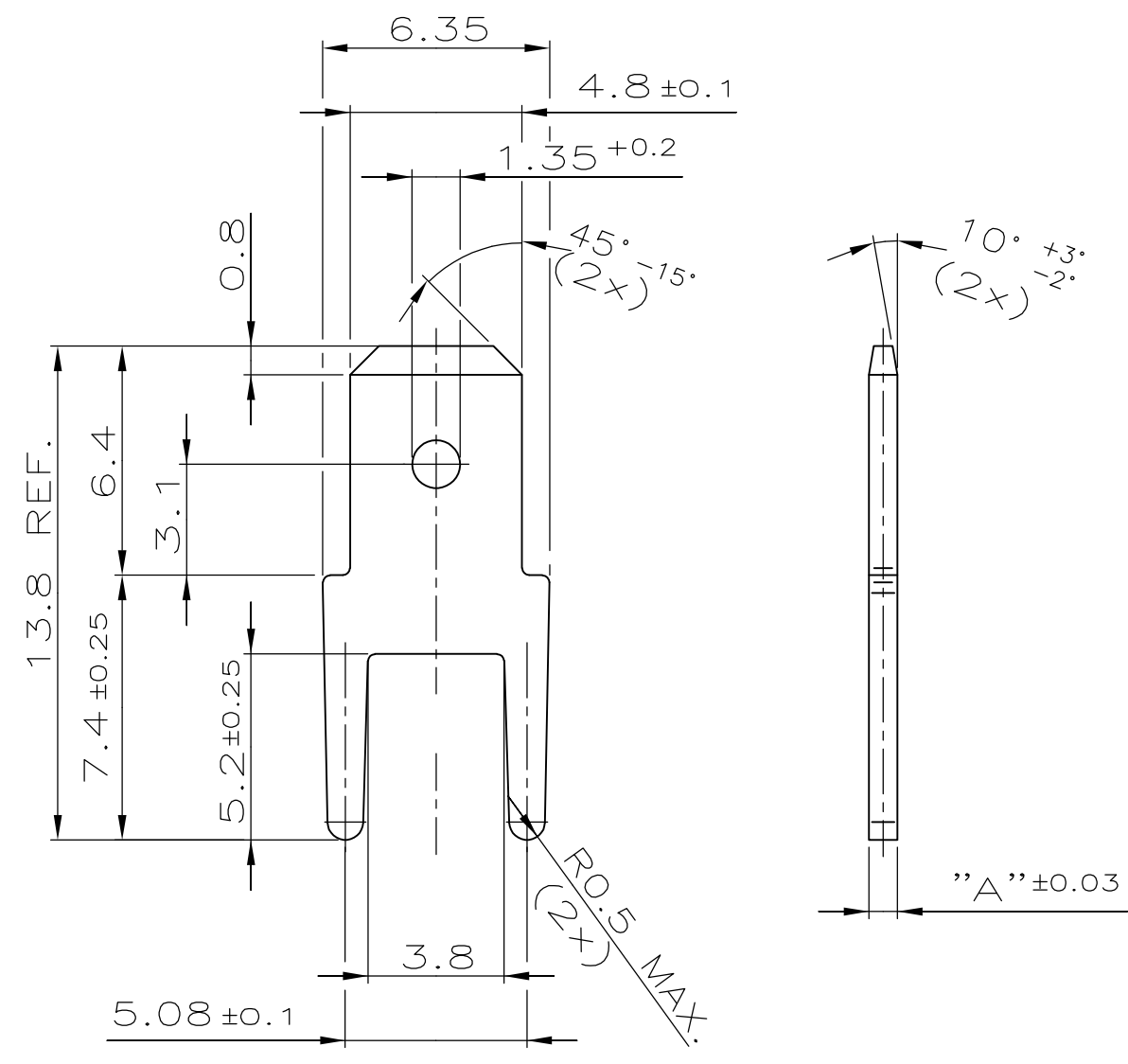
THIS DRAWING IS UNPUBLISHED.  
 VERTRAULICHE UNVERÖFFENTLICHTE ZEICHNUNG

RELEASED FOR PUBLICATION  
 FREI FUER VERÖFFENTLICHUNG

ALL RIGHTS RESERVED.  
 ALLE RECHTE VORBEHALTEN

MATED WITH:  
 PASSEND ZU:  
 DIN 46247

LOC	DIST	REVISIONS ÄNDERUNGEN		
A1	—	P	LTR	DATE
PROJECT NR.:		DESCRIPTION BESCHREIBUNG		DWN
E97-9621		REVISED PER ECO-11-005150		APVD
				21MAR11
				RK
				HMR



- ① MIN. 4.5 μm Sn OVER MIN. 2.5 μm Cu
- ② PACKING: MAX. 3000 PIECES  
PACKED INTO CARDBOARD BOX
- ③ RECOMMENDED DIA. FOR PCB:  $\phi 1.4 - 0.1$
- ④ OBSOLETE PARTS: OBSOLETE CIS STREAMLINING PER D.RENAUD/D.SINISI

- ① MIN. 4.5 μm Sn ÜBER MIN. 2.5 μm Cu
- ② VERPACKUNG: MAX. 3000 TEILE  
IN KARTON VERPACKT
- ③ EMPFOHLENE LEITERPLATTENBOHRUNG:  $\phi 1.4 - 0.1$

④ OBSOLETE	0.8	1-726388-3	MIN. 2 μm Ni	CuZn
	0.8	1-726388-2	①	CuZn
④ OBSOLETE	0.8	1-726388-1	PLAIN BLANK	CuZn
	0.5	726388-3	MIN. 2 μm Ni	CuZn
	0.5	726388-2	①	CuZn
	0.5	726388-1	PLAIN BLANK	CuZn
	"A" DIMENSION MASS	ORDER NO. BESTELL-NR.	SURFACE OBERFLÄECHE COLOUR/FARBE	MATERIAL

THIS DRAWING IS A CONTROLLED DOCUMENT. DIESE ZEICHNUNG IST EIN KONTROLLIERTES DOKUMENT.		DWN PFEIFER 28-MAY-85	<b>STE</b> TE Connectivity	
DIMENSIONS: DIMENSIONEN mm		CHK MORITZ 02-JUL-85		
TOLERANCES UNLESS OTHERWISE SPECIFIED: ALLGEMEINTOLERANZEN		APVD —	NAME	
0 PLC ± - 1 PLC ± 0.2 2 PLC ± - 3 PLC ± - 4 PLC ± - ANGLES / WINKEL ± -		PRODUCT SPEC PRODUKTSPEZ. ACCORDING TO DIN 46244	FASTON TAB 4.8 FLACHSTECKER 4.8	
MATERIAL SEE TABLE SIEHE TABELLE		APPLICATION SPEC VERARBEITUNGSSPEZ. —	SIZE A3	CAGE CODE 00779
FINISH / OBERFLÄECHE / FARBE SEE TABLE SIEHE TABELLE		WEIGHT GEWICHT —	DRAWING NO ZEICHNUNGS-NR. G-726388	RESTRICTED TO NUR FUER —
CUSTOMER DRAWING / KUNDENZEICHNUNG		SCALE MASSSTAB 5:1	SHEET BLATT 1	OF VON 1
			REV E3	