



Chipsmall Limited consists of a professional team with an average of over 10 year of expertise in the distribution of electronic components. Based in Hongkong, we have already established firm and mutual-benefit business relationships with customers from,Europe,America and south Asia,supplying obsolete and hard-to-find components to meet their specific needs.

With the principle of “Quality Parts,Customers Priority,Honest Operation,and Considerate Service”,our business mainly focus on the distribution of electronic components. Line cards we deal with include Microchip,ALPS,ROHM,Xilinx,Pulse,ON,Everlight and Freescale. Main products comprise IC,Modules,Potentiometer,IC Socket,Relay,Connector.Our parts cover such applications as commercial,industrial, and automotives areas.

We are looking forward to setting up business relationship with you and hope to provide you with the best service and solution. Let us make a better world for our industry!



Contact us

Tel: +86-755-8981 8866 Fax: +86-755-8427 6832

Email & Skype: info@chipsmall.com Web: www.chipsmall.com

Address: A1208, Overseas Decoration Building, #122 Zhenhua RD., Futian, Shenzhen, China



THIS DRAWING IS UNPUBLISHED.

RELEASED FOR PUBLICATION

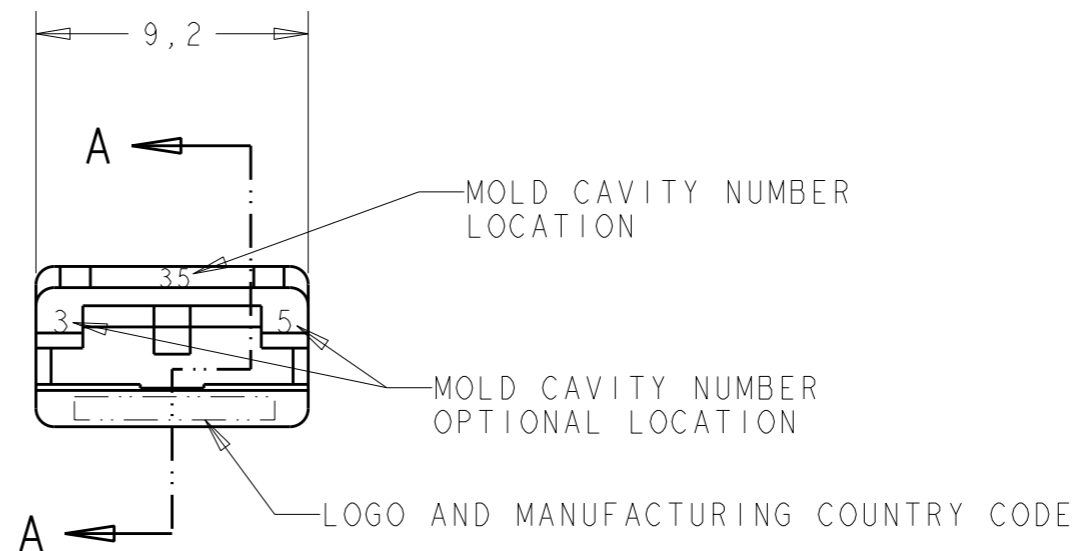
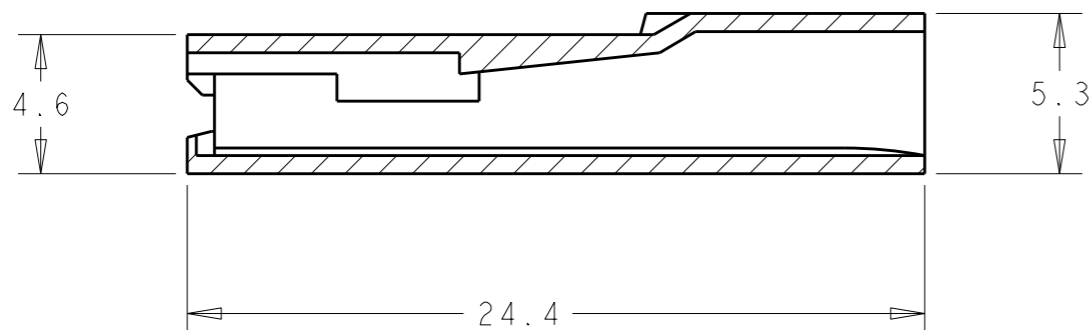
1998

© COPYRIGHT 1998

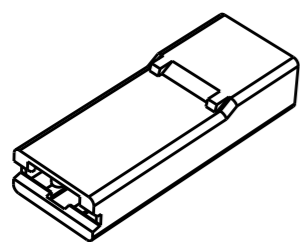
ALL RIGHTS RESERVED.

LOC	DIST	REVISIONS				
P	LTR	DESCRIPTION	DATE	DWN	APVD	
AP	-	V7	REDRAW ECO-12-009353	07DEC2012	HC	WLS

SECTION A-A
SCALE 4:1



- ① - PA 6.6 ACCORDING TO SPEC. IEC 60335-1 GWT 750°C WITHOUT FLAME.
- ② - PA 6.6 94 V-2 THERMO STABILIZED.
- ③ - PACKAGING QUANTITY: 15000 PIECES IN A BOX.
- ④ - PAKAGING: 25 PLASTIC BAGS WITH 300 PIECES EACH IN A BOX. TOTAL 7500 PIECES/BOX



NEGRO/BLACK	POLYAMIDE 6/6 V-2	8-735075-2 ④
NEGRO/BLACK	POLYAMIDE 6/6 V-2 ②	8-735075-1
NATURAL/CLEAR	POLYAMIDE 6/6 V-0 ①	8-735075-0
NATURAL/CLEAR	POLYAMIDE 6/6 V-0	6-735075-0
NATURAL/CLEAR	POLYAMIDE 6/6 V-0	2-735075-6 ③
NEGRO/BLACK	PA 6.6 V-2	1-735075-5
AMARELO/YELLOW		1-735075-4
AZUL/BLUE		1-735075-3
VERMELHO/RED		1-735075-1
NATURAL/CLEAR		1-735075-0
NEGRO/BLACK	POLIPROPILENO/POLYPROPYLENE	735075-5
VERDE/GREEN		735075-2 ③
VERMELHO/RED		735075-1 ③
NATURAL/CLEAR		735075-0
COR/COLOR	MATERIAL	PART NUMBER

THIS DRAWING IS A CONTROLLED DOCUMENT.		DWN H. CANTERI 06DEC2012	TE Connectivity	
DIMENSIONS: mm		CHK W.L. STEFANI 07DEC2012		
TOLERANCES UNLESS OTHERWISE SPECIFIED:		APVD -	NAME POST INSULATION FASTON 6,35 mm. HSG.	
0 PLC ± 1 PLC ± 2 PLC ±GENERAL 3 PLC ±TOLERANCES 4 PLC ± ±0.3 ANGLES ±1		PRODUCT SPEC 108-22033	SIZE A3	
MATERIAL SEE TABLE		APPLICATION SPEC -	CAGE CODE 00779	DRAWING NO C-735075
FINISH SEE TABLE		WEIGHT -	RESTRICTED TO -	
CUSTOMER DRAWING		SCALE -	SHEET 1	OF 1
			REV V7	