



Chipsmall Limited consists of a professional team with an average of over 10 year of expertise in the distribution of electronic components. Based in Hongkong, we have already established firm and mutual-benefit business relationships with customers from,Europe,America and south Asia,supplying obsolete and hard-to-find components to meet their specific needs.

With the principle of “Quality Parts,Customers Priority,Honest Operation,and Considerate Service”,our business mainly focus on the distribution of electronic components. Line cards we deal with include Microchip,ALPS,ROHM,Xilinx,Pulse,ON,Everlight and Freescale. Main products comprise IC,Modules,Potentiometer,IC Socket,Relay,Connector.Our parts cover such applications as commercial,industrial, and automotives areas.

We are looking forward to setting up business relationship with you and hope to provide you with the best service and solution. Let us make a better world for our industry!



Contact us

Tel: +86-755-8981 8866 Fax: +86-755-8427 6832

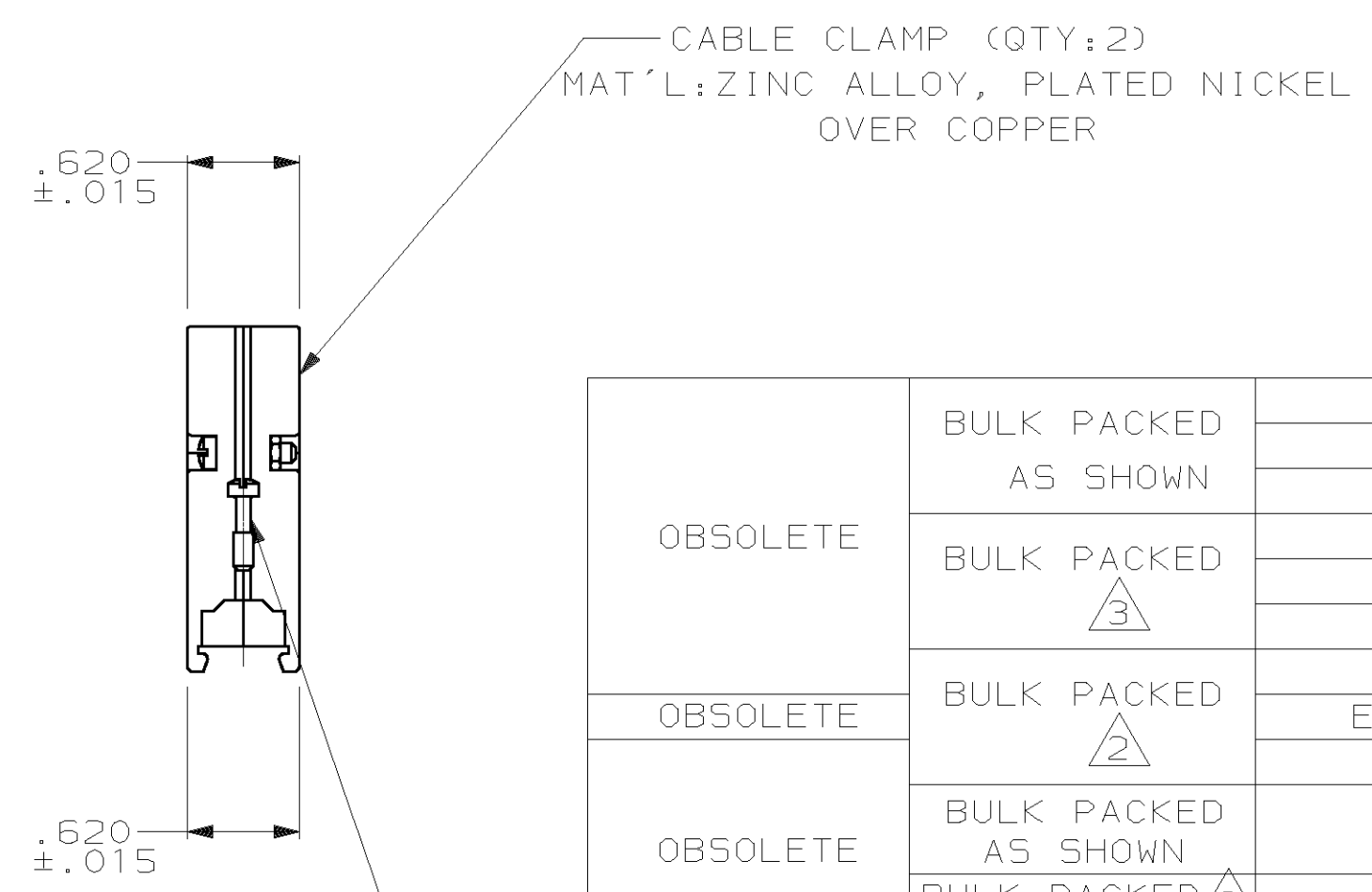
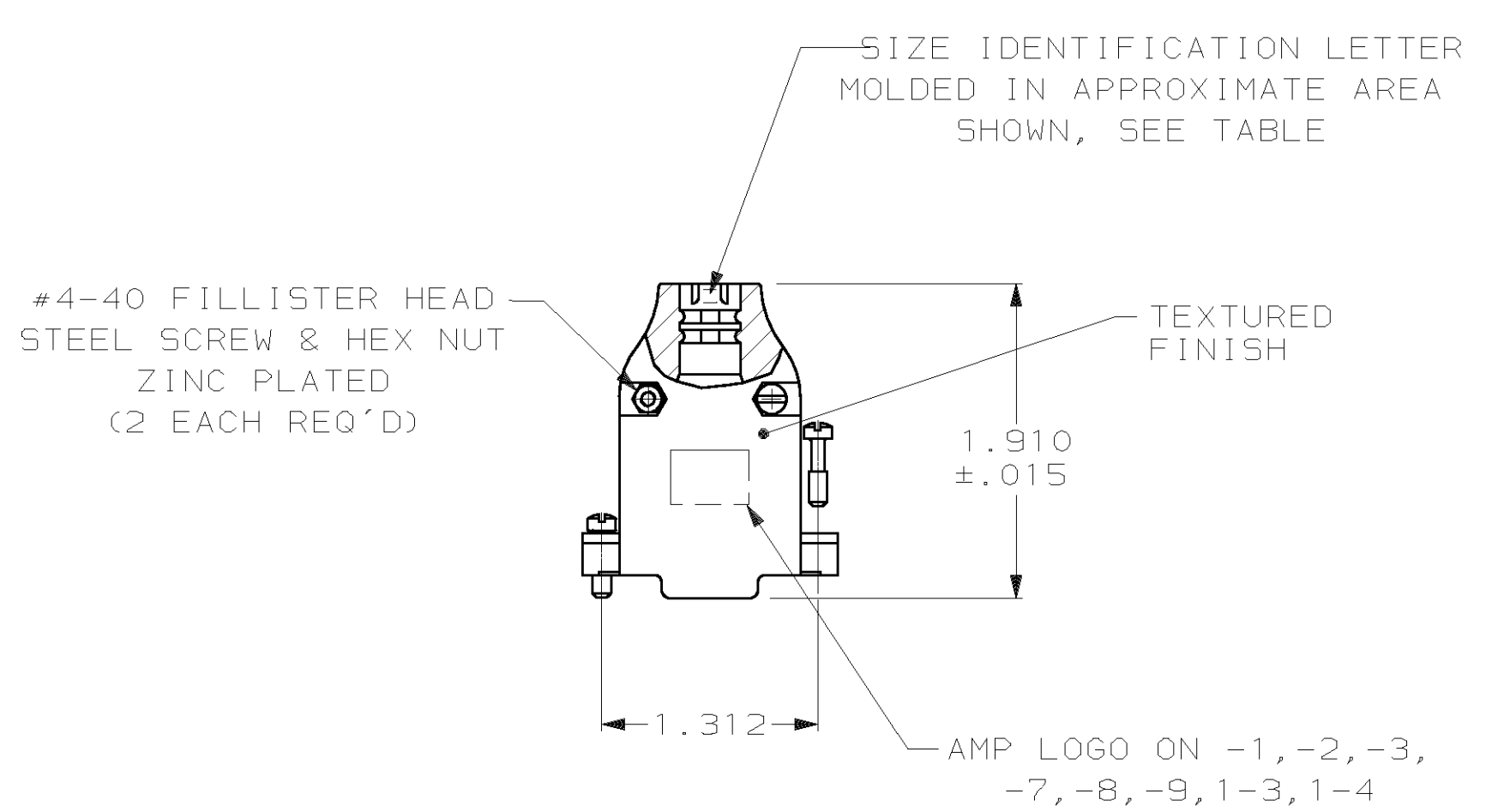
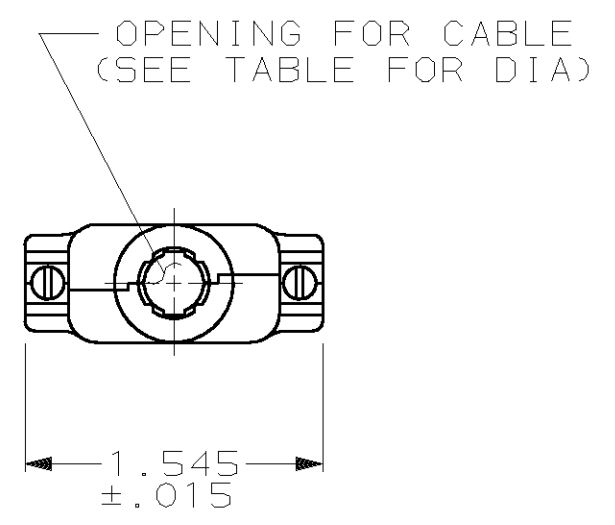
Email & Skype: info@chipsmall.com Web: www.chipsmall.com

Address: A1208, Overseas Decoration Building, #122 Zhenhua RD., Futian, Shenzhen, China



THIS DRAWING IS UNPUBLISHED. RELEASED FOR PUBLICATION
 © COPYRIGHT 19 BY AMP INCORPORATED. ALL INTERNATIONAL RIGHTS RESERVED.

LOC	DIST	P	F	REVISIONS				
				ZONE	LTR	DESCRIPTION	DATE	APPD
BD	48				F	REDRAWN	6/22/90	-
					G	OBS 1-8 PER ECN BD6177	06/19/92	TS
					H	OBS -14 PER EC 0020-1534-93	04/14/94	PR
					J	REV PER EC 0020-309-95	05/04/95	JS
					K	REV PER EC 0020-881-95	25 AUG 95	JS
					L	REV PER EC 001D-83-00	28 MAR 00	DK



OBSOLETE	BULK PACKED AS SHOWN		.375	2-745172-5
			.300	2-745172-4
			.225	2-745172-3
OBSOLETE	BULK PACKED $\triangle 3$.375	2-745172-2
			.300	2-745172-1
			.225	2-745172-0
OBSOLETE	BULK PACKED $\triangle 2$.375	1-745172-9
		E	.300	1-745172-8
OBSOLETE	BULK PACKED AS SHOWN		.225	1-745172-7
			.430	1-745172-6
			.430	1-745172-5
OBSOLETE	BULK PACKED $\triangle 3$	K	.430	1-745172-4
			.430	1-745172-3
			.430	1-745172-3
OBSOLETE	$\triangle 3$	B	.225	745172-9
			.300	745172-8
			.375	745172-7
OBSOLETE	AS SHOWN	B	.225	745172-3
		E	.300	745172-2
		H	.375	745172-1
	REMARKS	NECK IDENT	CABLE DIA	PART NO.

#4-40 FILLISTER HD SCREW
MAT'L: STEEL, ZINC PLATED $\textcircled{1}$
QTY:2

- 1. PARTS PACKAGED UNASSEMBLED.
- $\triangle 2$ SUPPLIED WITHOUT MTG SCREWS $\textcircled{1}$ & LOGO.
- $\triangle 3$ SUPPLIED WITHOUT MTG SCREWS $\textcircled{1}$.

DO NOT SCALE PRINT. UNLESS SPECIFIED DIMENSIONS IN INCHES TOLERANCES ON : 2 PLC DEC ± - 3 PLC DEC ± .005 ANGLES ± -	DR 6/22/90 A. STAUB BG CHK 9/10/90 J. MCCLINTON APPD 9/11/90 BOB TAYLOR APPD 9/11/90 J. ASSINI	AMP AMP INCORPORATED Harrisburg, Pa. 17105	
MATERIAL SEE CALLOUTS	PRODUCT SPEC -	NAME CABLE CLAMP KIT, UNASSEMBLED, SIZE 2, 15 POSITION, 180°, AMPLIMITE™	
FINISH SEE CALLOUTS	APPLICATION SPEC -	SIZE C	FSCM NO 00779
WEIGHT -		DRAWING NO 745172	SHEET 1 OF 1
		SCALE 1:1	