



Chipsmall Limited consists of a professional team with an average of over 10 year of expertise in the distribution of electronic components. Based in Hongkong, we have already established firm and mutual-benefit business relationships with customers from,Europe,America and south Asia,supplying obsolete and hard-to-find components to meet their specific needs.

With the principle of "Quality Parts,Customers Priority,Honest Operation,and Considerate Service",our business mainly focus on the distribution of electronic components. Line cards we deal with include Microchip,ALPS,ROHM,Xilinx,Pulse,ON,Everlight and Freescale. Main products comprise IC,Modules,Potentiometer,IC Socket,Relay,Connector.Our parts cover such applications as commercial,industrial, and automotives areas.

We are looking forward to setting up business relationship with you and hope to provide you with the best service and solution. Let us make a better world for our industry!



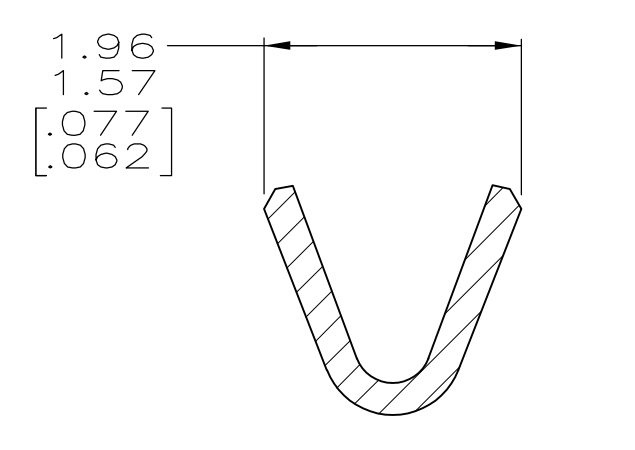
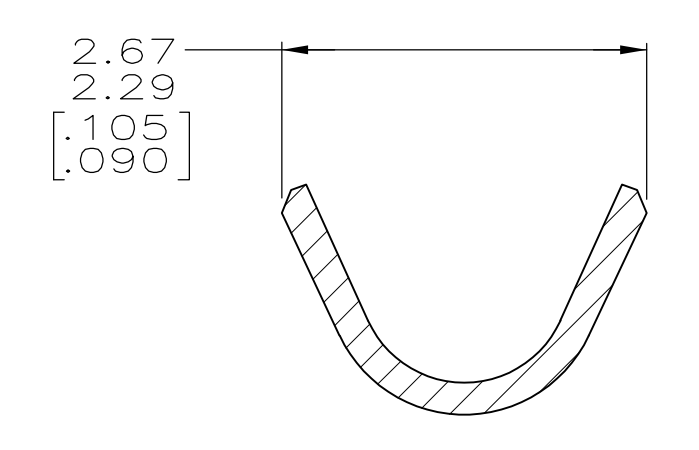
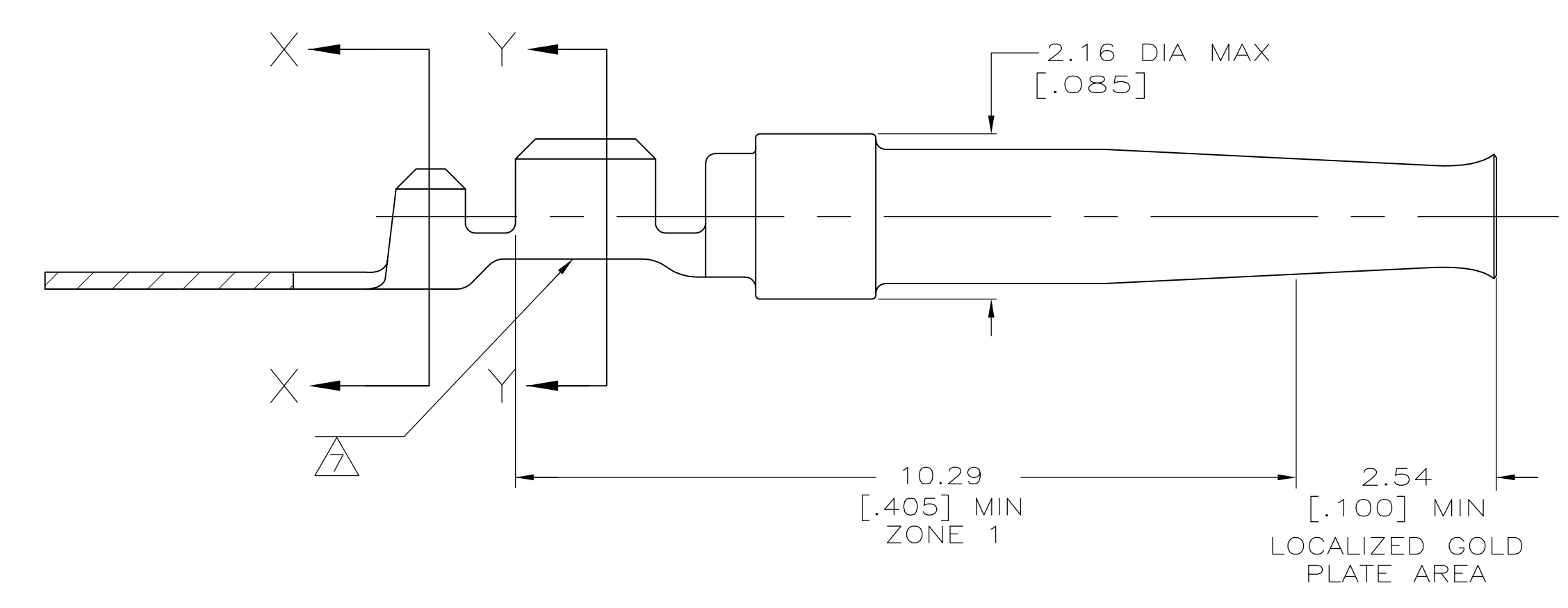
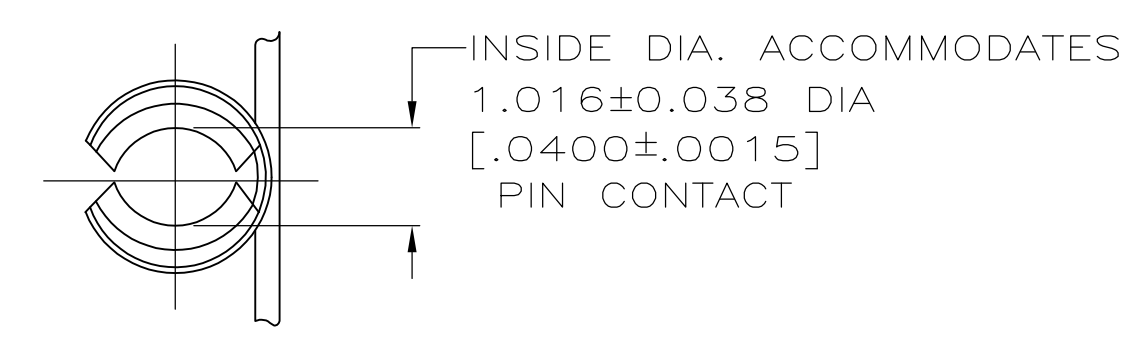
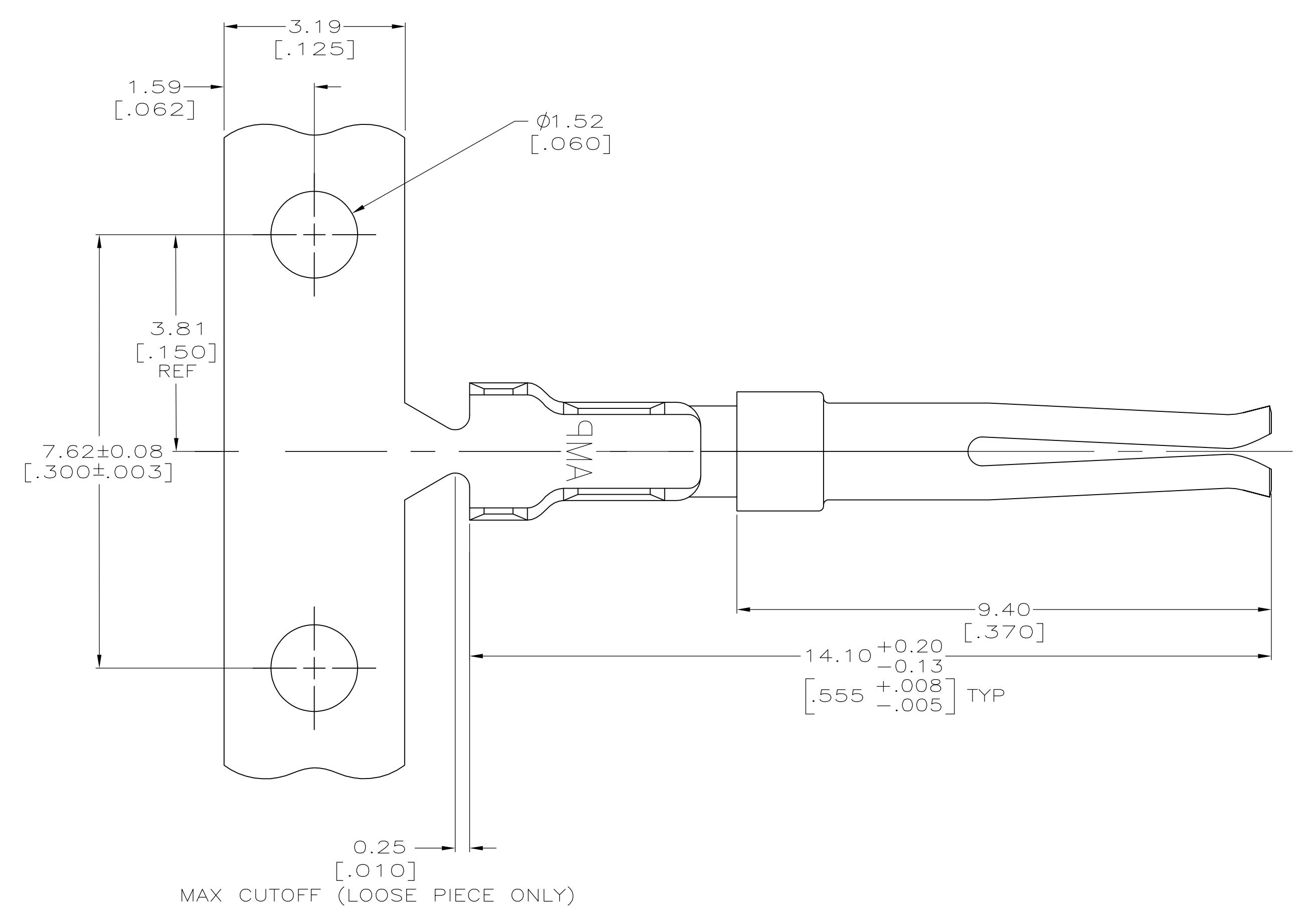
Contact us

Tel: +86-755-8981 8866 Fax: +86-755-8427 6832

Email & Skype: info@chipsmall.com Web: www.chipsmall.com

Address: A1208, Overseas Decoration Building, #122 Zhenhua RD., Futian, Shenzhen, China





- FOR MINI-APPLICATOR CRIMPING.
- WIRE RANGE IS 22-26 AWG AND INSULATION RANGE IS 1.02/1.27 [.040/.050].
- PLATED WITH 0.76 μ m [.000030] GOLD ON INSIDE OF LOCALIZED GOLD PLATE AREA, GOLD FLASH ON ZONE 1, ALL OVER 1.27 μ m [.000050] NICKEL UNDERPLATE.
-OR-
GOLD FLASH OVER PALLADIUM-NICKEL 0.76 μ m [.000030] TOTAL ON INSIDE OF LOCALIZED GOLD PLATE AREA, GOLD FLASH ON ZONE 1, ALL OVER 1.27 μ m [.000050] NICKEL UNDERPLATE.
- GOLD FLASH PER MIL-G-45204 ON INSIDE OF LOCALIZED GOLD PLATE AREA, GOLD FLASH PER MIL-G-45204 ON ZONE 1, ALL OVER 0.76 μ m [.000030] NICKEL UNDERPLATE PER QQ-N-290.
- 0.025 μ m [.000001] MIN GOLD PER MIL-G-45204 ON MATING END FOR A LENGTH OF 2.54 [.100] MIN., TIN PLATED WIRE BARRELS, ALL OVER 0.76 μ m [.000030] NICKEL PER QQ-N-290.
- SELECTIVE GOLD PLATED 0.76 μ m [.000030] THICK PER MIL-G-45204 ON MATING END FOR A LENGTH OF 2.54 [.100] MIN., TIN PLATED WIRE BARRELS, ALL OVER 1.27 μ m [.000050] NICKEL PER QQ-N-290.
- COLOR CODE YELLOW IN THIS AREA INDICATES 22-26 AWG WIRE RANGE. ONLY LOOSE PIECE PART NUMBERS ARE COLOR CODED.
- GOLD PLATING MAY NOT APPEAR ON CARRIER STRIP.

OBSOLETE	STANDARD	$\Delta 6$	LOOSE PIECE	$\Delta 1$	1-745253-6
OBSOLETE	STANDARD	$\Delta 6$	STRIP	$\Delta 1$	1-745253-4
OBSOLETE	STANDARD	$\Delta 5$	LOOSE PIECE	$\Delta 1$	1-745253-3
OBSOLETE	STANDARD	$\Delta 3$	STRIP	$\Delta 1$	1-745253-1
	STANDARD	$\Delta 4$	LOOSE PIECE	$\Delta 1$	745253-7
	STANDARD	$\Delta 3$	LOOSE PIECE	$\Delta 1$	745253-6
	STANDARD	$\Delta 4$	STRIP	$\Delta 1$	745253-3
	STANDARD	$\Delta 3$	STRIP	$\Delta 1$	745253-2
	PACKAGING TYPE	FINISH	TYPE	PART NUMBER	

THIS DRAWING IS A CONTROLLED DOCUMENT. DIMENSIONING AND TOLERANCING PER ASME Y14.5M-2009.

STE WELDON 11-3-80
GERACE 11-5-80
BAER 11-10-80

APVD: R. BAER
NAME: SOCKET CONTACT, SIZE 20 DF, 22-26 AWG, W/.040-.050 DIA INSULATION SUPPORT

PRODUCT SPEC: 108-40005
APPLICATION SPEC: 114-10000

MATERIAL: PHOS. BRONZE PER
FINISH: SEE TABLE

WEIGHT: -
SIZE: A1
CAGE CODE: 00779
DRAWING NO: 745253

CUSTOMER DRAWING
SCALE: 15:1
SHEET: 1 OF 1
REV: M