



Chipsmall Limited consists of a professional team with an average of over 10 year of expertise in the distribution of electronic components. Based in Hongkong, we have already established firm and mutual-benefit business relationships with customers from,Europe,America and south Asia,supplying obsolete and hard-to-find components to meet their specific needs.

With the principle of “Quality Parts,Customers Priority,Honest Operation,and Considerate Service”,our business mainly focus on the distribution of electronic components. Line cards we deal with include Microchip,ALPS,ROHM,Xilinx,Pulse,ON,Everlight and Freescale. Main products comprise IC,Modules,Potentiometer,IC Socket,Relay,Connector.Our parts cover such applications as commercial,industrial, and automotives areas.

We are looking forward to setting up business relationship with you and hope to provide you with the best service and solution. Let us make a better world for our industry!



Contact us

Tel: +86-755-8981 8866 Fax: +86-755-8427 6832

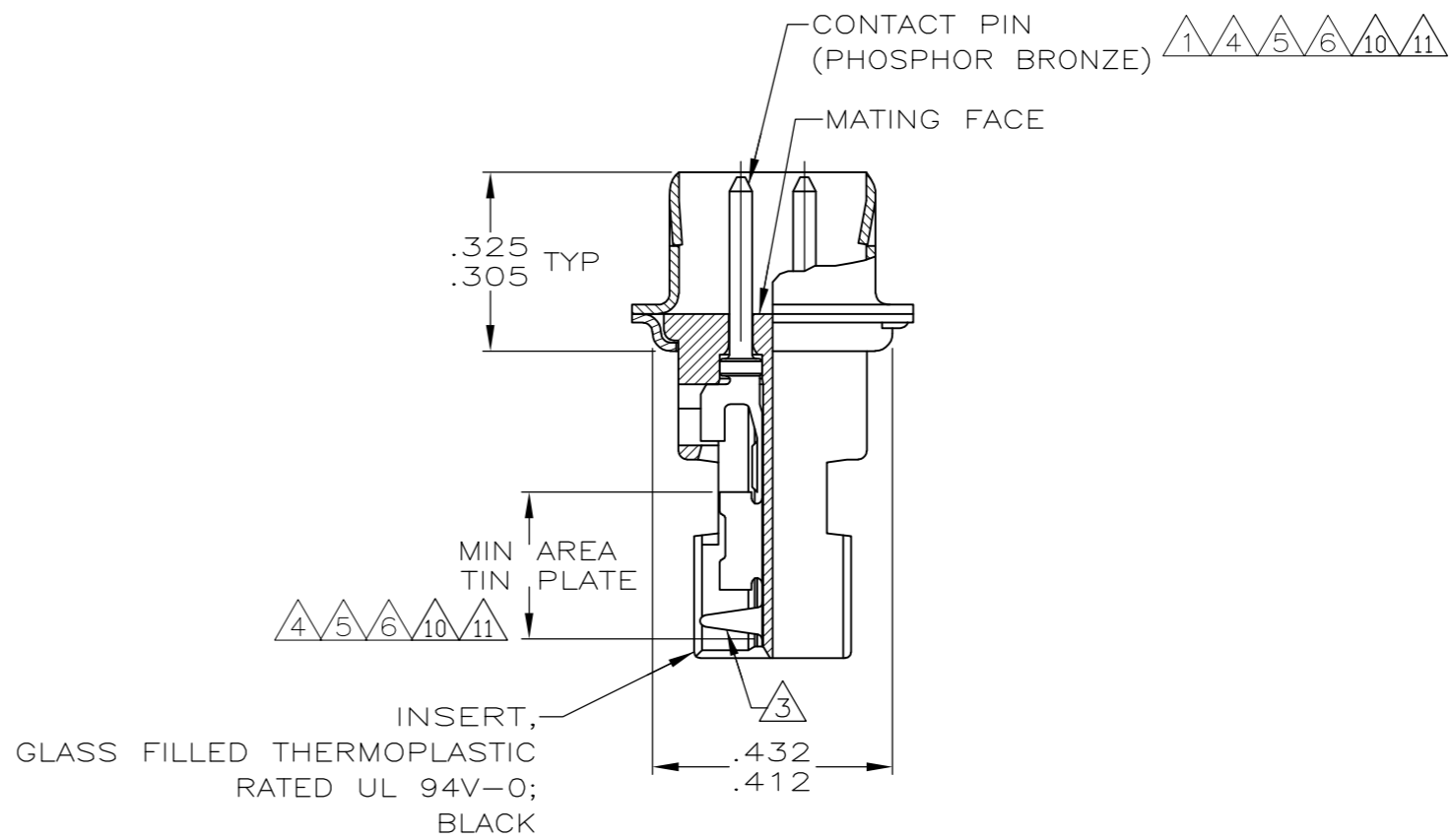
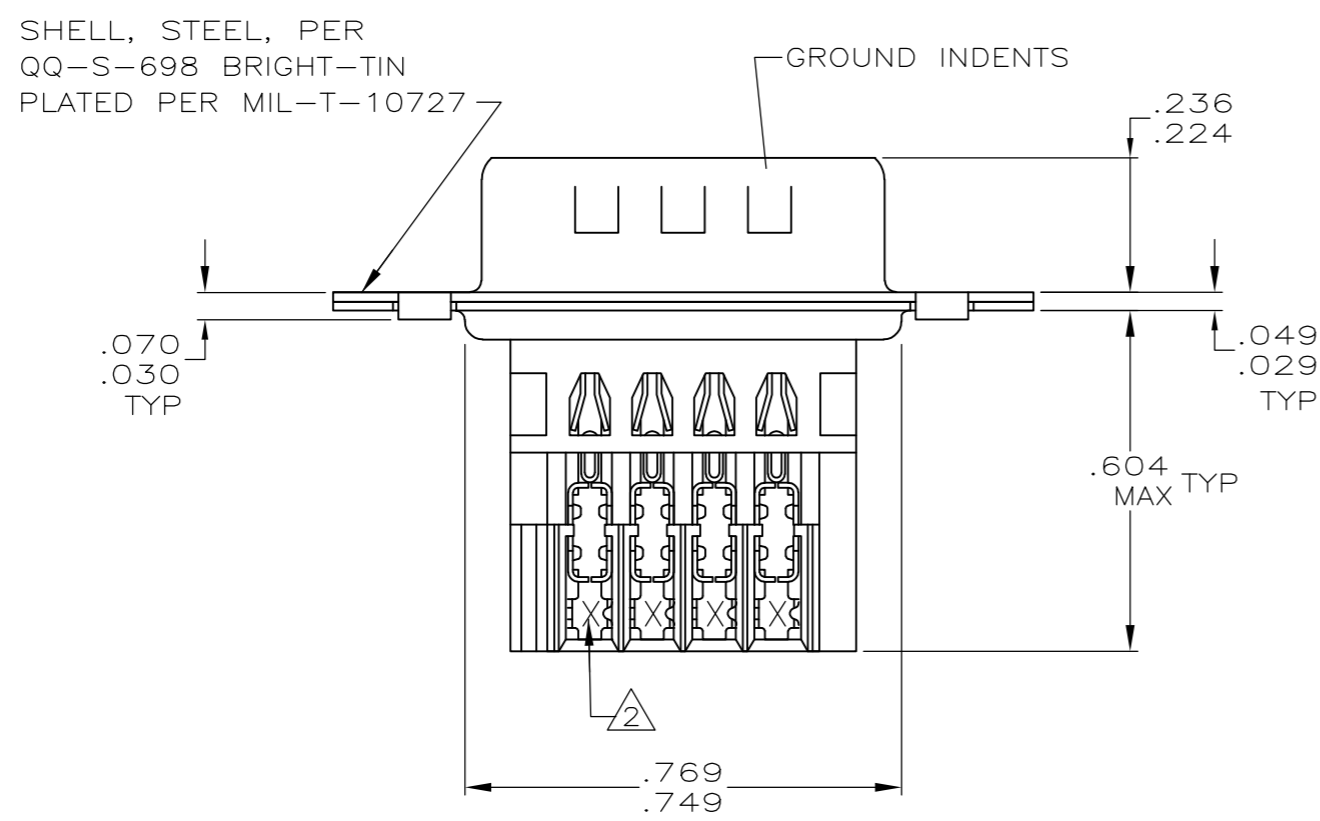
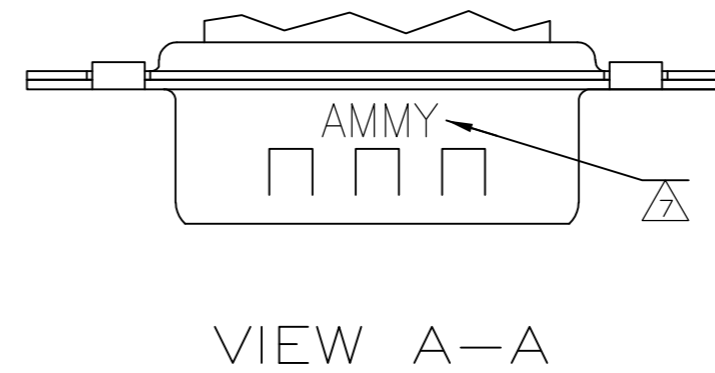
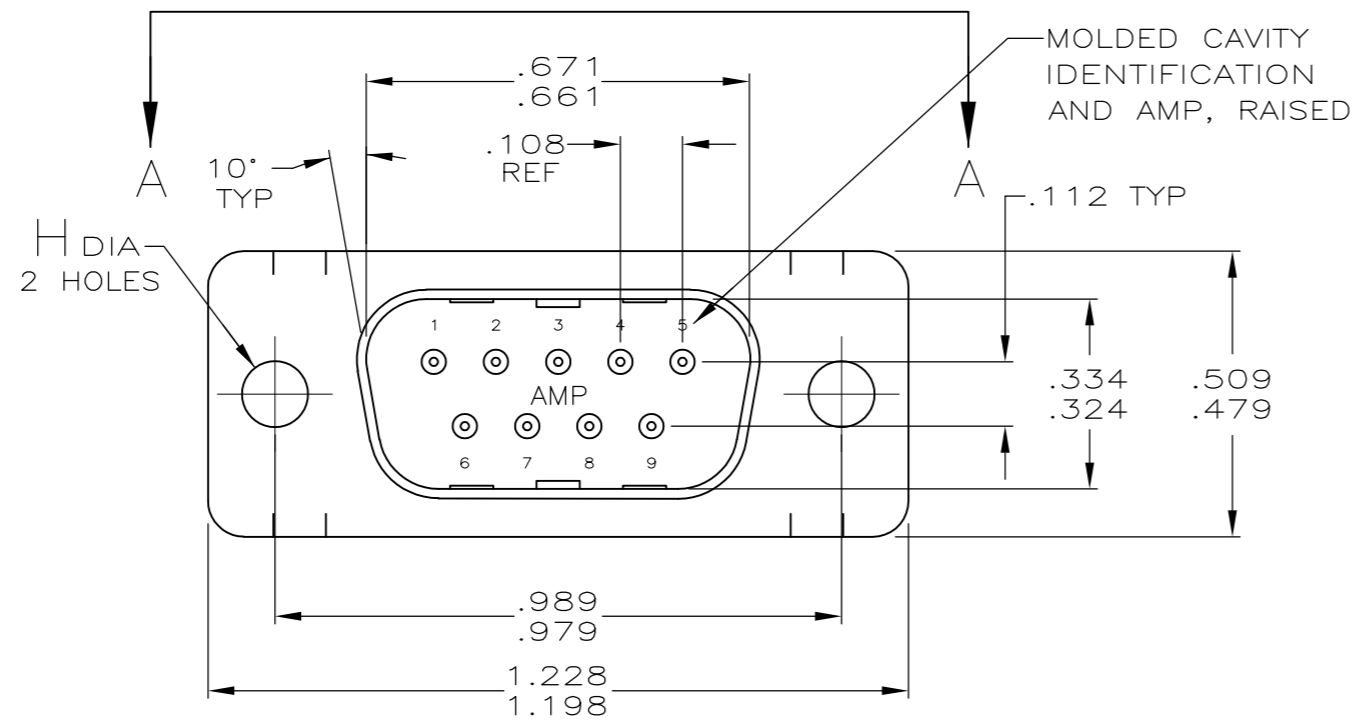
Email & Skype: info@chipsmall.com Web: www.chipsmall.com

Address: A1208, Overseas Decoration Building, #122 Zhenhua RD., Futian, Shenzhen, China



THIS DRAWING IS UNPUBLISHED. RELEASED FOR PUBLICATION
 © COPYRIGHT - By - ALL RIGHTS RESERVED.

LOC	DIST	REVISIONS					
GP	00	P	LTR	DESCRIPTION	DATE	DWN	APVD
		S1		REVISED PER ECO-11-004835	11MAR11	RK	HMR



THIS DRAWING IS A CONTROLLED DOCUMENT.		DWN 11-16-04 L. VAREAL - DOCK5	STE TE Connectivity	
DIMENSIONS: INCHES		CHK 11-16-04 J. GERACE		
TOLERANCES UNLESS OTHERWISE SPECIFIED:		APVD 11-16-04 M. WALMSLEY	NAME	
0 PLC ± -		PRODUCT SPEC	108-40011	
1 PLC ± -		APPLICATION SPEC	114-40002	
2 PLC ± -		WEIGHT	-	
3 PLC ± .005		SCALE	4:1	
4 PLC ± -		SHEET	1 OF 2	
ANGLES ± 2°		REV	S1	
FINISH SEE TABLE		CUSTOMER DRAWING		
MATERIAL SEE CALL OUT		SIZE CAGE CODE DRAWING NO RESTRICTED TO		
		A2 00779 C-745492 -		

THIS DRAWING IS UNPUBLISHED. RELEASED FOR PUBLICATION
 © COPYRIGHT - By - ALL RIGHTS RESERVED.

LOC	DIST	REVISIONS			
P	LTR	DESCRIPTION	DATE	DWN	APVD
GP	00	SEE SHEET 1	-	-	-

- 1 HOUSING FULLY LOADED WITH CONTACTS.
- 2 NUMBER ON CONTACT INDICATES WIRE RANGE.
- 3 CONTACT INSULATION RANGE: .060 MAXIMUM O.D.
- 4 CONTACTS GOLD PLATED FOR A LENGTH OF .150 MIN FROM MATING END, .000030 MIN GOLD IN MATED AREA, .000100-.000200 BRIGHT TIN OR BRIGHT TIN-LEAD IN AREA SHOWN, ALL OVER .000050 MIN NICKEL UNDERPLATE ON ENTIRE CONTACT.
OR
CONTACTS GOLD PLATED FOR A LENGTH OF .150 MIN FROM MATING END, GOLD FLASH OVER .000030 MIN PALLADIUM-NICKEL IN MATED AREA, .000100-.000200 BRIGHT TIN OR BRIGHT TIN-LEAD IN AREA SHOWN, ALL OVER .000050 MIN NICKEL UNDERPLATE ON ENTIRE CONTACT.
- 5 GOLD PLATED FOR LENGTH OF .150 MIN FROM MATING END, GOLD FLASH IN MATED AREA. .000100-.000200 BRIGHT TIN OR BRIGHT IN TIN-LEAD AREA SHOWN. .000030 NICKEL UNDERPLATE ON ENTIRE CONTACT.
- 6 GOLD PLATED FOR LENGTH OF .150 MIN FROM MATING END, .000050 MIN GOLD IN MATED AREA. .000100-.000200 BRIGHT TIN OR BRIGHT IN TIN-LEAD AREA SHOWN. .000050 NICKEL UNDERPLATE ON ENTIRE CONTACT.
- 7 SPECIAL DATE CODE IN THIS APPROXIMATE AREA.
A; MM = MONTH; Y = LAST DIGIT OF YEAR.
- 8 OBSOLETE.
- 9 SUPERSEDED BY 745492-1
- 10 CONTACTS GOLD PLATED FOR A LENGTH OF .150 MIN FROM MATING END, .000030 MIN GOLD IN MATED AREA, .000100-.000200 MATTE TIN IN AREA SHOWN, ALL OVER .000050 MIN NICKEL UNDERPLATE ON ENTIRE CONTACT.
OR
CONTACTS GOLD PLATED FOR A LENGTH OF .150 MIN FROM MATING END, GOLD FLASH OVER PALLADIUM-NICKEL, .000030 MIN TOTAL IN MATED AREA, .000100-.000200 MATTE TIN IN AREA SHOWN, ALL OVER .000050 MIN NICKEL UNDERPLATE ON ENTIRE CONTACT.
- 11 CONTACTS PLATED GOLD FLASH FOR A LENGTH OF .150 MIN FROM MATING END, .000100-.000200 MATTE TIN IN AREA SHOWN, ALL OVER .000030 MIN NICKEL UNDERPLATE ON ENTIRE CONTACT.

STANDARD	.125 .115	11	2	#22-26	2-745492-0
STANDARD	.125 .115	10	3	#20-22	1-745492-9
STANDARD	.125 .115	10	2	#22-26	1-745492-8
STANDARD	.125 .115	10	1	#26-30	1-745492-7
SMALL PACK	.125 .115	5	2	#22-26	1-745492-5
STANDARD	.125 .115	6	2	#22-26	1-745492-3
STANDARD	.156 .146	5	3	#20-22	1-745492-2
			2	#22-26	1-745492-1
			1	#26-30	1-745492-0
STANDARD	.156 .146	4	3	#20-22	745492-9
			2	#22-26	745492-8
			1	#26-30	745492-7
STANDARD	.125 .115	5	3	#20-22	745492-6
			2	#22-26	745492-5
			1	#26-30	745492-4
STANDARD	.125 .115	4	3	#20-22	745492-3
			2	#22-26	745492-2
			1	#26-30	745492-1
PACKAGING	H	CONTACT FINISH	2	AWG WIRE RANGE	PART NUMBER

THIS DRAWING IS A CONTROLLED DOCUMENT.		DWN 11-16-04 L. VAREAL - DOCK5	STE TE Connectivity	
DIMENSIONS: INCHES		CHK 11-16-04 J. GERACE		
TOLERANCES UNLESS OTHERWISE SPECIFIED:		APVD 11-16-04 M. WALMSLEY	NAME	
0 PLC ± -		PRODUCT SPEC	PLUG ASSEMBLY,	
1 PLC ± -		108-40011	METAL SHELL, SIZE 1, 9 POSITION,	
2 PLC ± -		APPLICATION SPEC	SERIES HDE-20 FOR MASS TERMINATION	
3 PLC ± .005		114-40002	SIZE	RESTRICTED TO
4 PLC ± -		WEIGHT -	A2	-
ANGLES ± 2°		FINISH	CAGE CODE 00779	DRAWING NO C=745492
MATERIAL SEE CALL OUT	FINISH SEE TABLE	CUSTOMER DRAWING	SCALE 4:1	SHEET 2 of 2
			REV S1	