



Chipsmall Limited consists of a professional team with an average of over 10 year of expertise in the distribution of electronic components. Based in Hongkong, we have already established firm and mutual-benefit business relationships with customers from,Europe,America and south Asia,supplying obsolete and hard-to-find components to meet their specific needs.

With the principle of “Quality Parts,Customers Priority,Honest Operation,and Considerate Service”,our business mainly focus on the distribution of electronic components. Line cards we deal with include Microchip,ALPS,ROHM,Xilinx,Pulse,ON,Everlight and Freescale. Main products comprise IC,Modules,Potentiometer,IC Socket,Relay,Connector.Our parts cover such applications as commercial,industrial, and automotives areas.

We are looking forward to setting up business relationship with you and hope to provide you with the best service and solution. Let us make a better world for our industry!



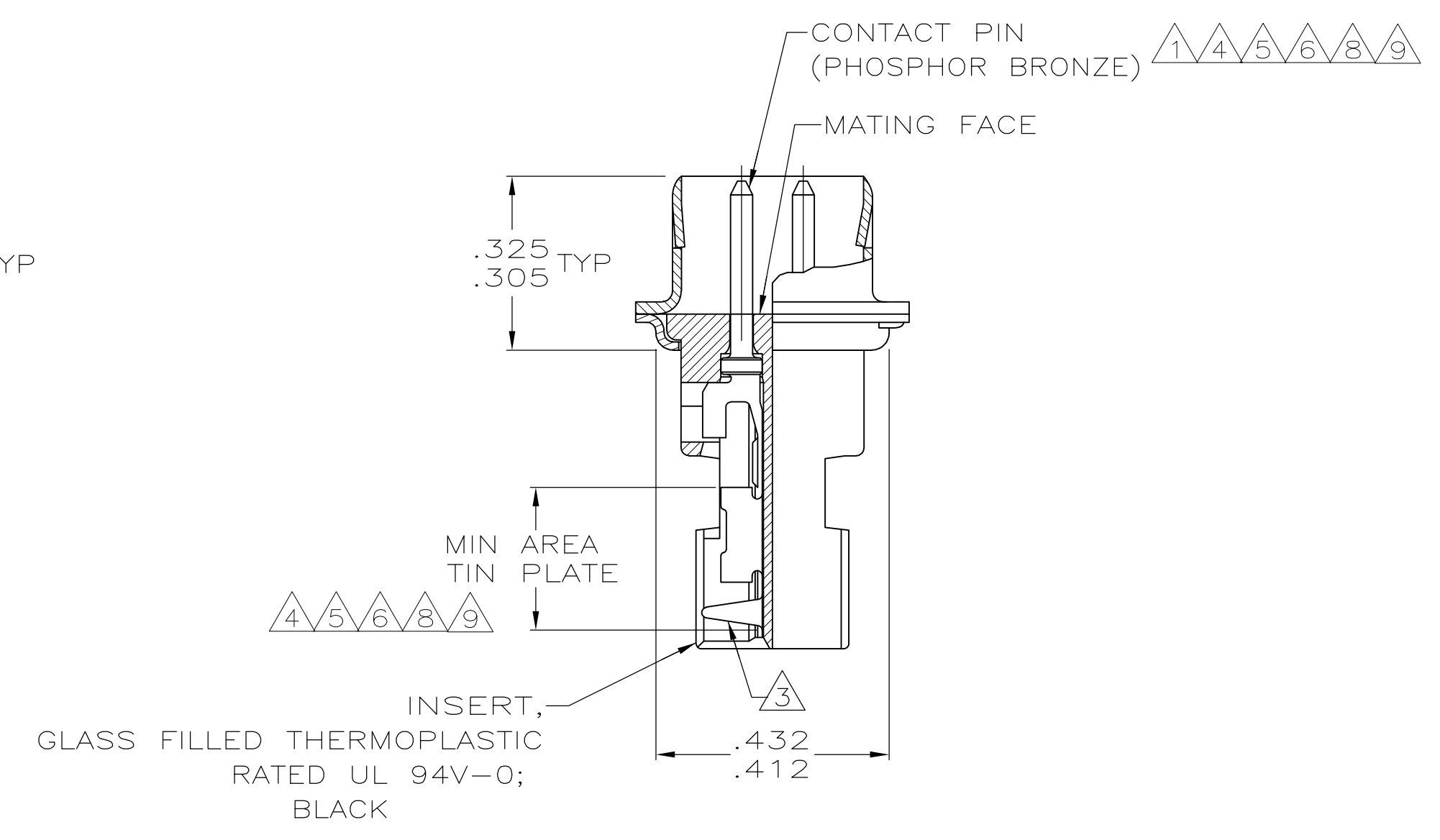
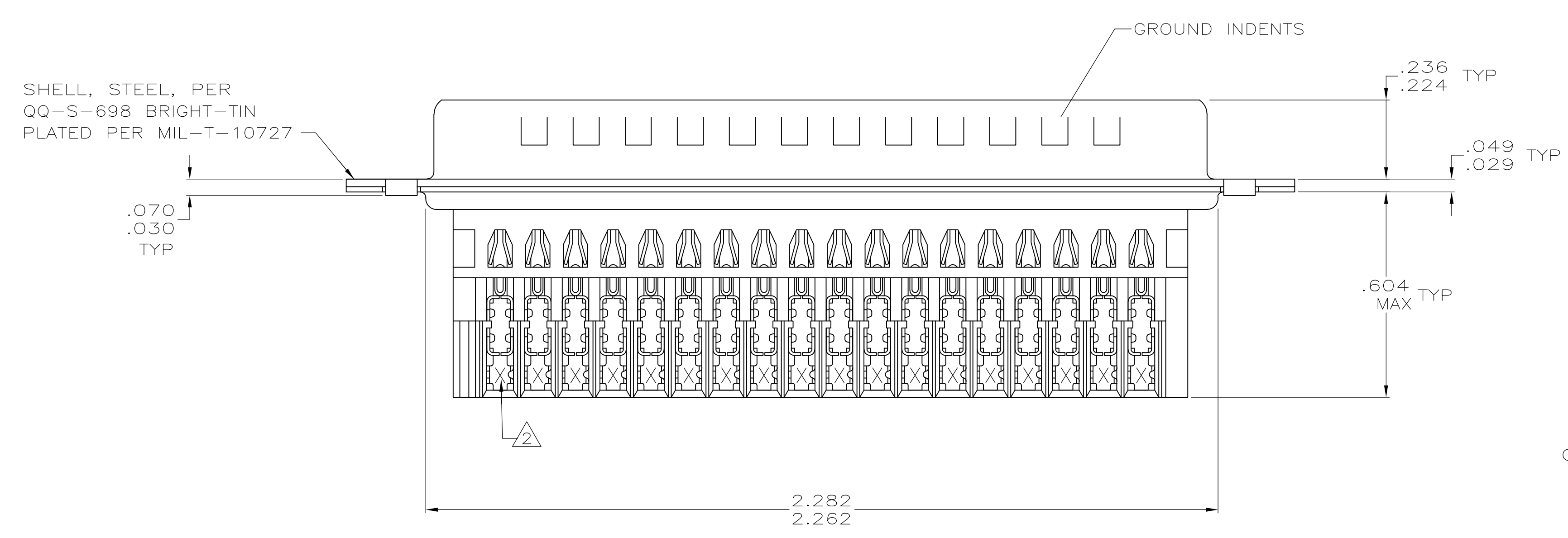
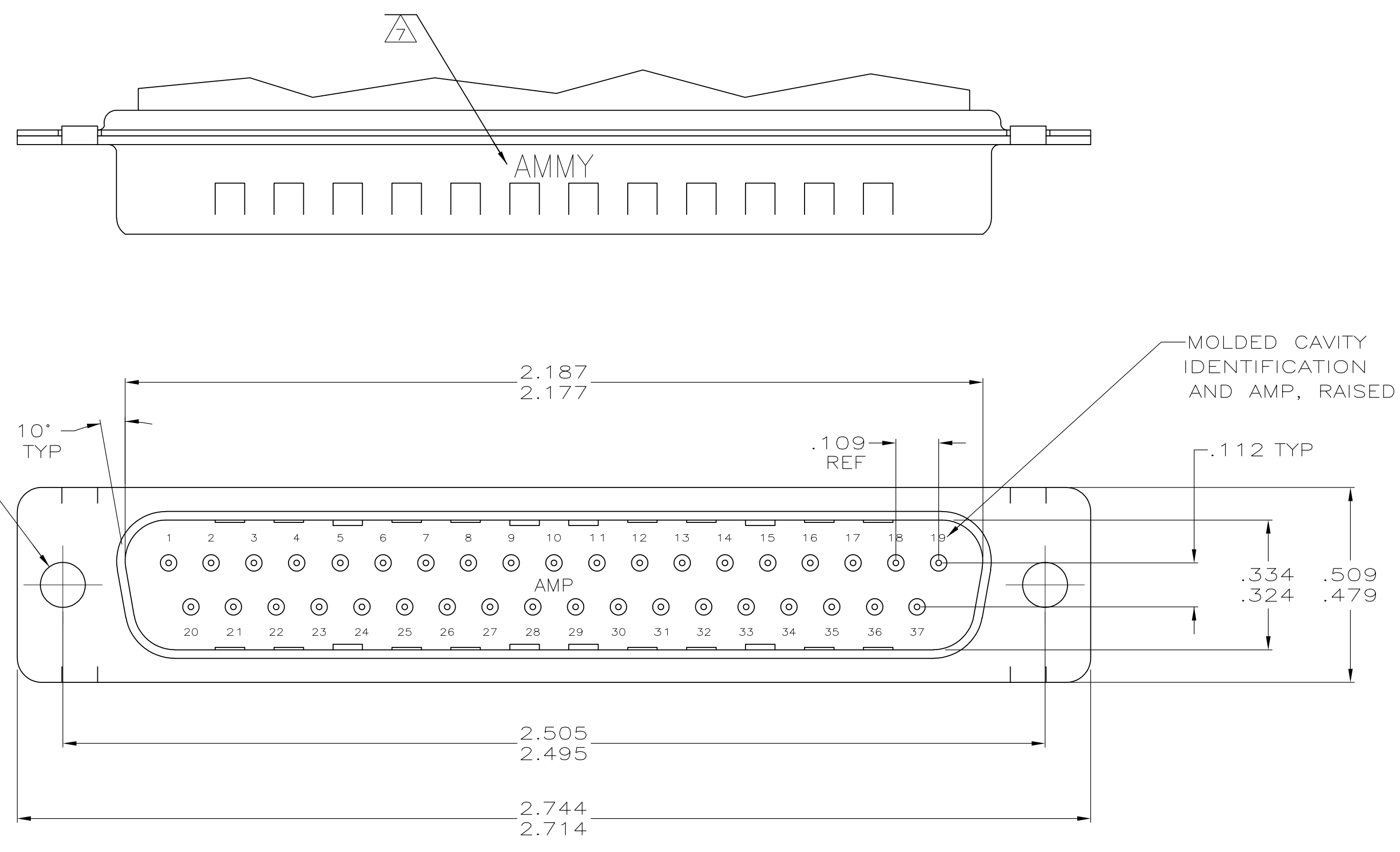
Contact us

Tel: +86-755-8981 8866 Fax: +86-755-8427 6832

Email & Skype: info@chipsmall.com Web: www.chipsmall.com

Address: A1208, Overseas Decoration Building, #122 Zhenhua RD., Futian, Shenzhen, China





THIS DRAWING IS A CONTROLLED DOCUMENT.		DWN L. VARELA - 11-16-04	TE Connectivity	
DIMENSIONS: INCHES		CHK J. GERACE	NAME PLUG ASSEMBLY, METAL SHELL, SIZE 4, 37 POSITION, SERIES HDE-20 FOR MASS TERMINATION	
TOLERANCES UNLESS OTHERWISE SPECIFIED:		APRD M. WALMSLEY	PRODUCT SPEC 108-40011	
0. PLC ± .005		NAME	APPLICATION SPEC 114-40002	
1. PLC ± .005		SIZE	CAGE CODE DRAWING NO	
2. PLC ± .005		WEIGHT	A1 00779 C=745498	
3. PLC ± .005		CUSTOMER DRAWING	SCALE 4:1 SHEET 1 OF 2 REV U1	
4. PLC ± .005				
ANGLES ± .2°				
FINISH SEE CALL OUT				
SEE TABLE				

LOC	DIST	REVISIONS				
		REV	DESCRIPTION	DATE	BY	APPROV
GP	00		SEE SHEET 1			

- 1 HOUSING FULLY LOADED WITH CONTACTS.
- 2 NUMBER ON CONTACT INDICATES WIRE RANGE.
- 3 CONTACT INSULATION RANGE: .060 MAXIMUM O.D.
- 4 CONTACTS GOLD PLATED FOR A LENGTH OF .150 MIN FROM MATING END, .000030 MIN GOLD IN MATED AREA, .000100-.000200 BRIGHT TIN OR BRIGHT TIN-LEAD IN AREA SHOWN, ALL OVER .000050 MIN NICKEL UNDERPLATE ON ENTIRE CONTACT.
OR
CONTACTS GOLD PLATED FOR A LENGTH OF .150 MIN FROM MATING END, GOLD FLASH OVER .000030 MIN PALLADIUM-NICKEL IN MATED AREA, .000100-.000200 BRIGHT TIN OR BRIGHT TIN-LEAD IN AREA SHOWN, ALL OVER .000050 MIN NICKEL UNDERPLATE ON ENTIRE CONTACT.
- 5 GOLD PLATED FOR LENGTH OF .150 MIN FROM MATING END, GOLD FLASH IN MATED AREA. .000100-.000200 BRIGHT TIN OR BRIGHT IN TIN-LEAD AREA SHOWN. .000030 NICKEL UNDERPLATE ON ENTIRE CONTACT.
- 6 GOLD PLATED FOR LENGTH OF .150 MIN FROM MATING END, .000050 MIN GOLD IN MATED AREA, .000100-.000200 BRIGHT TIN OR BRIGHT IN TIN-LEAD AREA SHOWN. .000050 NICKEL UNDERPLATE ON ENTIRE CONTACT.
- 7 SPECIAL DATE CODE IN THIS APPROXIMATE AREA.
A; MM = MONTH; Y = LAST DIGIT OF YEAR.
- 8 CONTACTS GOLD PLATED FOR A LENGTH OF .150 MIN FROM MATING END, .000030 MIN GOLD IN MATED AREA, .000100-.000200 MATTE TIN IN AREA SHOWN, ALL OVER .000050 MIN NICKEL UNDERPLATE ON ENTIRE CONTACT.
OR
CONTACTS GOLD PLATED FOR A LENGTH OF .150 MIN FROM MATING END, GOLD FLASH OVER PALLADIUM-NICKEL, .000030 MIN TOTAL IN MATED AREA, .000100-.000200 MATTE TIN IN AREA SHOWN, ALL OVER .000050 MIN NICKEL UNDERPLATE ON ENTIRE CONTACT.
- 9 CONTACTS PLATED GOLD FLASH FOR A LENGTH OF .150 MIN FROM MATING END, .000100-.000200 MATTE TIN IN AREA SHOWN, ALL OVER .000030 MIN NICKEL UNDERPLATE ON ENTIRE CONTACT.

AWG	WIRE RANGE	CONTACT FINISH	INSULATION RANGE	PART NUMBER	
OBSOLETE	.125 .115	9	3	#20-22 1-745498-8	
	.125 .115	9	2	#22-26 1-745498-7	
	.125 .115	8	1	#26-30 1-745498-6	
	.125 .115	8	2	#22-26 1-745498-5	
9	.125 .115	6	2	#22-26 1-745498-3	
OBSOLETE	.156	5	3	#20-22 1-745498-2	
OBSOLETE	.146	5	2	#22-26 1-745498-1	
OBSOLETE			1	#26-30 1-745498-0	
OBSOLETE	.156	4	3	#20-22 745498-9	
OBSOLETE	.146	4	2	#22-26 745498-8	
OBSOLETE			1	#26-30 745498-7	
OBSOLETE	.125	5	3	#20-22 745498-6	
OBSOLETE	.115	5	2	#22-26 745498-5	
SUPERSEDED BY 745498-1				1	#26-30 745498-4
OBSOLETE			3	#20-22 745498-3	
OBSOLETE	.125	4	2	#22-26 745498-2	
OBSOLETE	.115	4	1	#26-30 745498-1	
		H	CONTACT FINISH	AWG WIRE RANGE	
			2	PART NUMBER	

THIS DRAWING IS A CONTROLLED DOCUMENT.		DIN 11-16-04 L. VARELA - DOCKS		TE Connectivity	
DIMENSIONS: INCHES		TOLERANCES UNLESS OTHERWISE SPECIFIED:		APPROVED: M. WALMSLEY 11-16-04	
0 PLC ± -		1 PLC ± -		NAME: PLUG ASSEMBLY, METAL SHELL, SIZE 4, 37 POSITION, SERIES HDE-20 FOR MASS TERMINATION	
1 PLC ± -		2 PLC ± -		PRODUCT SPEC: 108-40011	
2 PLC ± -		3 PLC ± .005		APPLICATION SPEC: 114-40002	
3 PLC ± -		4 PLC ± -		SIZE: A1	
4 PLC ± -		ANGLES ± °		CAGE CODE: 00779	
MATERIAL: SEE CALL OUT		FINISH: SEE TABLE		DRAWING NO: 745498	
		WEIGHT: -		RESTRICTED TO: -	
		CUSTOMER DRAWING		SCALE: 4:1 SHEET 2 OF 2 REV U1	