



Chipsmall Limited consists of a professional team with an average of over 10 year of expertise in the distribution of electronic components. Based in Hongkong, we have already established firm and mutual-benefit business relationships with customers from,Europe,America and south Asia,supplying obsolete and hard-to-find components to meet their specific needs.

With the principle of “Quality Parts,Customers Priority,Honest Operation,and Considerate Service”,our business mainly focus on the distribution of electronic components. Line cards we deal with include Microchip,ALPS,ROHM,Xilinx,Pulse,ON,Everlight and Freescale. Main products comprise IC,Modules,Potentiometer,IC Socket,Relay,Connector.Our parts cover such applications as commercial,industrial, and automotives areas.

We are looking forward to setting up business relationship with you and hope to provide you with the best service and solution. Let us make a better world for our industry!



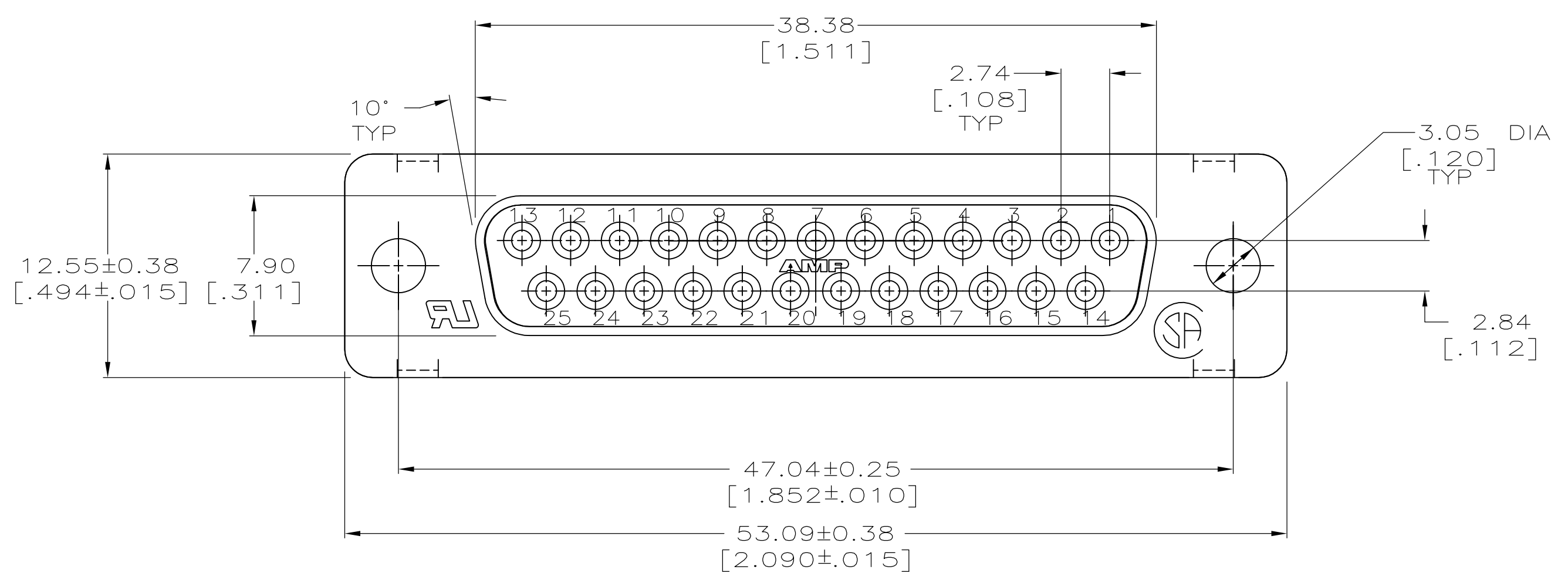
## Contact us

Tel: +86-755-8981 8866 Fax: +86-755-8427 6832

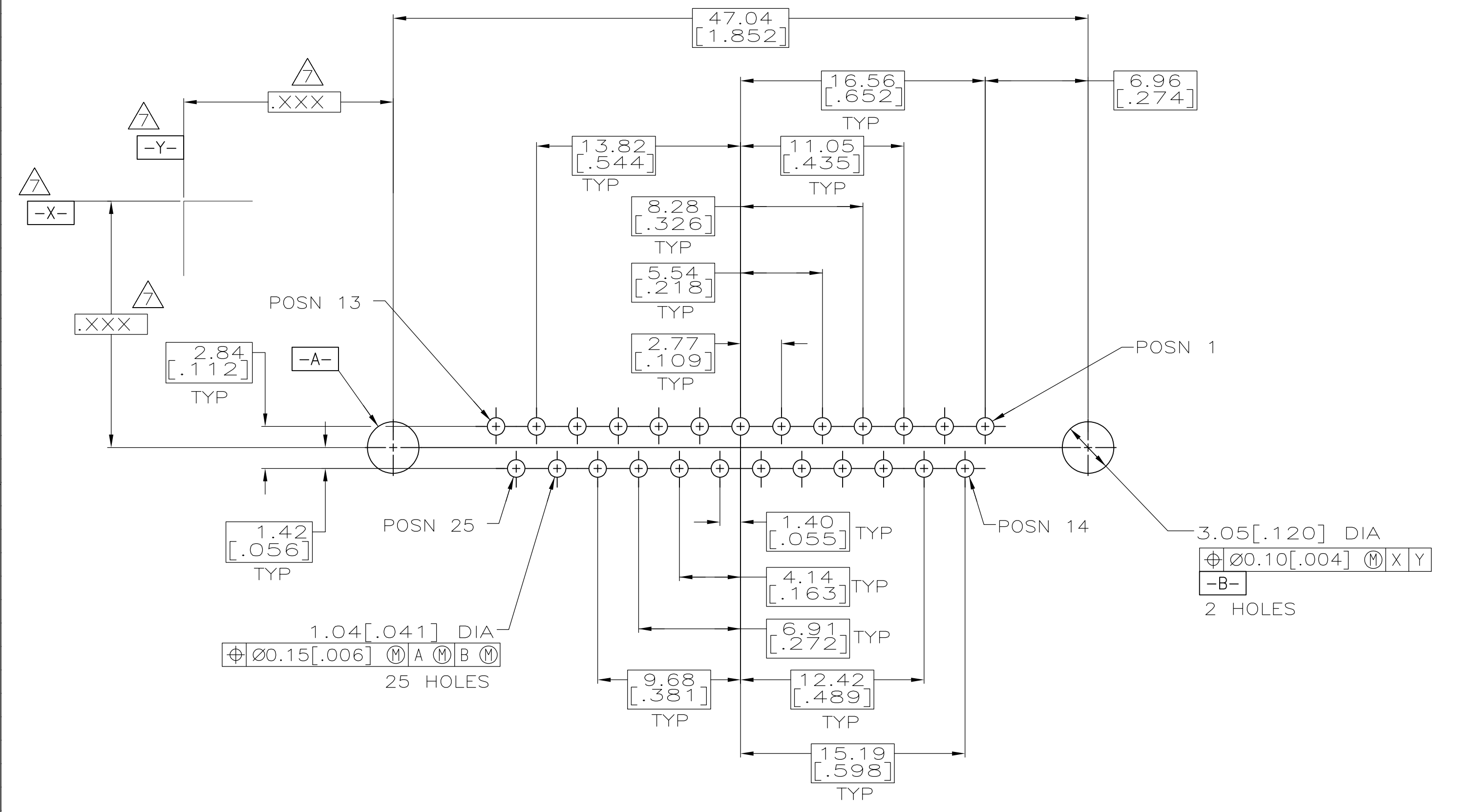
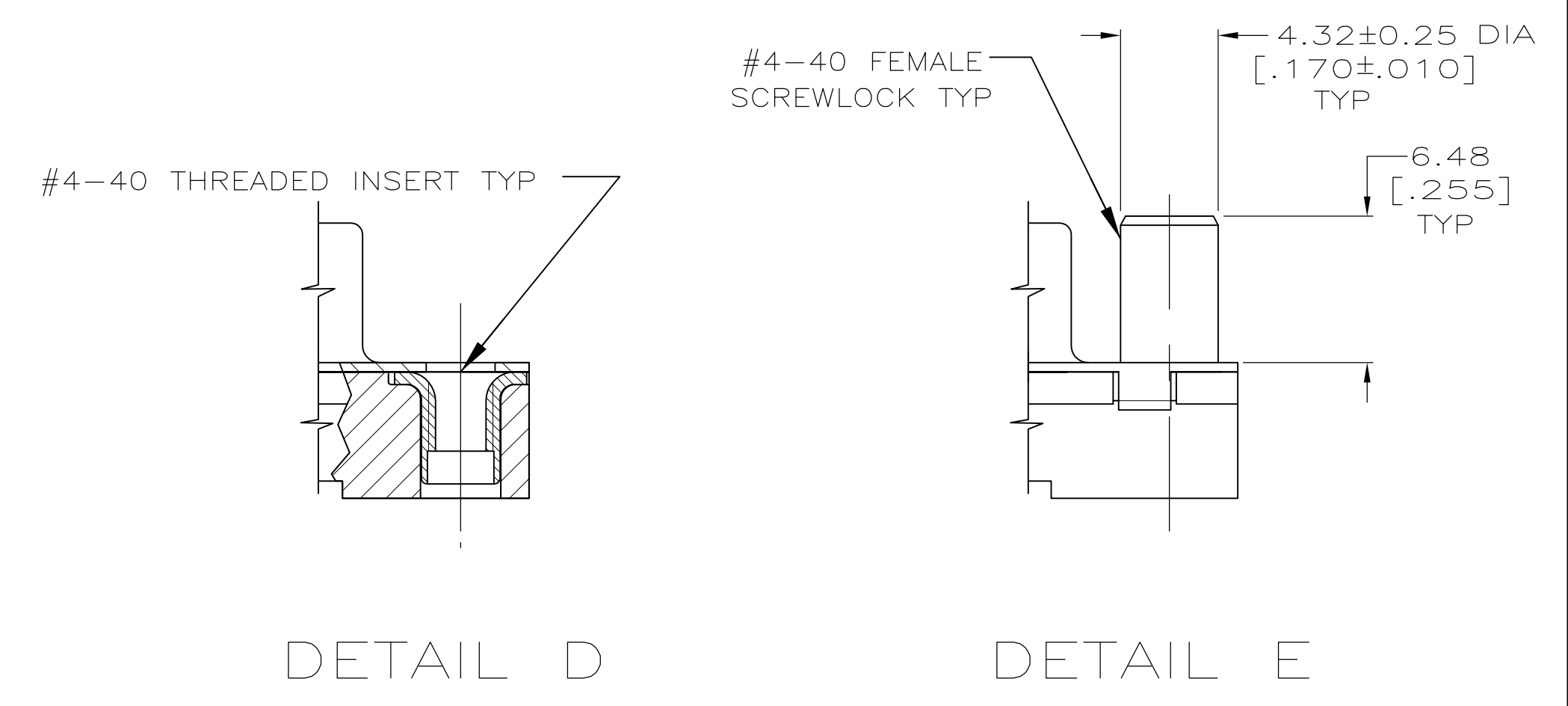
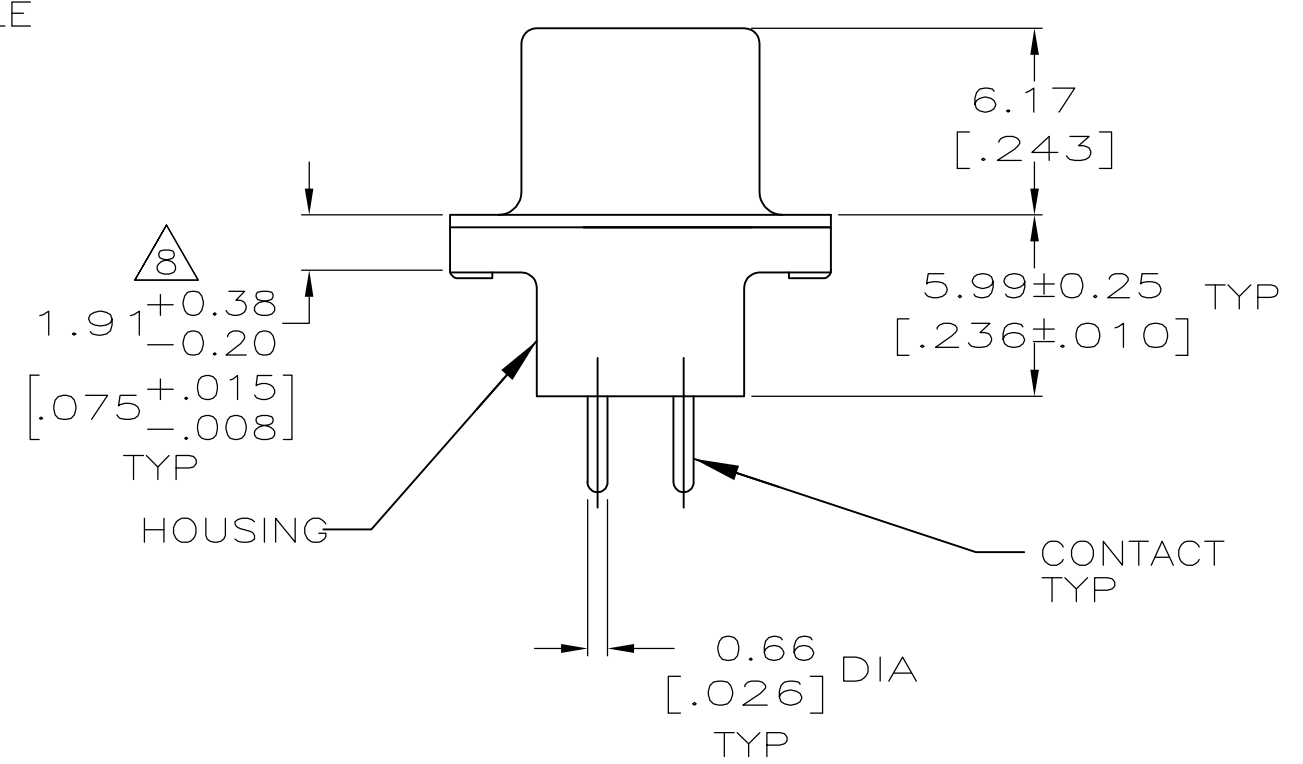
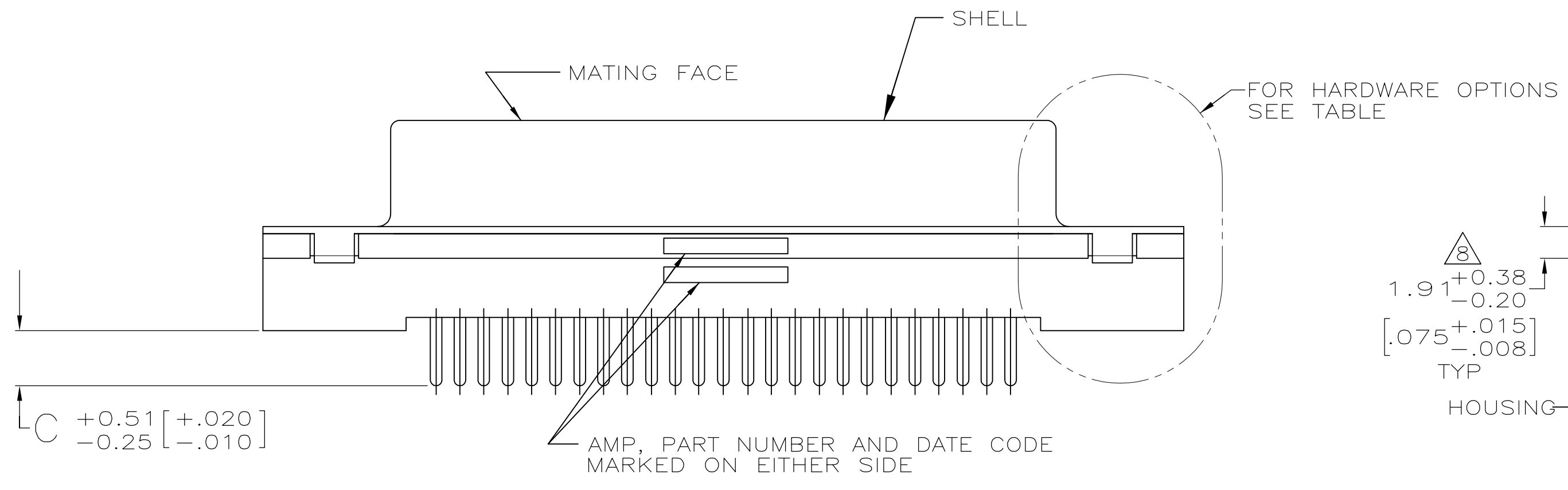
Email & Skype: info@chipsmall.com Web: www.chipsmall.com

Address: A1208, Overseas Decoration Building, #122 Zhenhua RD., Futian, Shenzhen, China





- △ HOUSING; POLYESTER, UL 94V-0 RATED, BLACK.
- △ SHELL; CARBON STEEL.
- △ SHELL; 5.08um [.000200] MIN TIN OVER 2.54um [.000100] MIN COPPER.
- △ GOLD FLASH FOR A LENGTH OF 2.54[.100] MIN FROM MATING END, 2.54um [.000100] MIN TIN OR TIN-LEAD ON OPPOSITE END, BOTH OVER 1.27um [.000050] MIN NICKEL.
- △ 0.76um [.000030] MIN GOLD FOR A LENGTH OF 2.54 [.100] MIN FROM MATING END, 2.54um [.000100] MIN TIN OR TIN-LEAD ON OPPOSITE END, BOTH OVER 1.27um [.000050] MIN NICKEL.
- 6. NOTE DELETED.
- △ DATUMS AND BASIC DIMENSIONS ESTABLISHED BY CUSTOMER.
- △ 2.79[.110] MAX IN SHELL TAB CLINCH AREAS.
- △ OBSOLETE PART NUMBER.
- △ 10 SUPERSEDED BY 745967-2.
- △ 11 SUPERSEDED BY 745967-4.
- △ 12 SUPERSEDED BY 1-745967-4.
- △ 13 SUPERSEDED BY 745967-7.
- △ 14 CONTACTS: POSPHOR BRONZE.
- △ 15 SCREWLOCKS: ZINC.
- △ 16 INSERTS: BRASS.



W/THREADED INSERTS PER DETAIL D	△ 5	1.27 [.050]	△ 9 1-745967-9
W/FEMALE SCREWLOCKS PER DETAIL E	△ 5	4.32 [.170]	△ 9 1-745967-6
	△ 4	4.32 [.170]	△ 9 1-745967-5
W/THREADED INSERTS PER DETAIL D	△ 5	3.18 [.125]	1-745967-4
	△ 4	3.18 [.125]	△ 12 1-745967-3
	△ 4	6.35 [.250]	△ 9 1-745967-1
	△ 5	4.32 [.170]	1-745967-0
W/O FEMALE SCREWLOCKS OR THREADED INSERTS AS SHOWN	△ 4	4.32 [.170]	745967-9
	△ 5	3.18 [.125]	745967-8
	△ 4	3.18 [.125]	745967-7
	△ 5	6.35 [.250]	△ 9 745967-6
HARDWARE OPTIONS	△ 5	4.32 [.170]	745967-4
	△ 4	4.32 [.170]	△ 11 745967-3
	△ 5	3.18 [.125]	745967-2
	△ 4	3.18 [.125]	△ 10 745967-1

HARDWARE OPTIONS		CONTACTS	C	PART NO
FINISH				

THIS DRAWING IS A CONTROLLED DOCUMENT.		DIN D BROCKWAY 3-22-93	TE Connectivity
DIMENSIONS: mm [INCHES]		5-10-93	
TOLERANCES UNLESS OTHERWISE SPECIFIED:		APVD R STONE	NAME
0 PLC ± -	1 PLC ± -	PRODUCT SPEC	RECEPTACLE ASSY, SIZE 3, 25 POSITION
2 PLC ± .013 [.005]	3 PLC ± -	APPLICATION SPEC	FRONT METAL SHELL, WITH OR WITHOUT
4 PLC ± -	ANGLES ± -	114-40023	SCREWLOCKS OR INSERTS.
MATERIAL	FINISH	WEIGHT	SIZE
CONTACTS: SEE TABLE			1008-40025
			114-40023
			00779
			745967
			SCALE 4:1
			SHEET 1 OF 1
			REV R1