



Chipsmall Limited consists of a professional team with an average of over 10 year of expertise in the distribution of electronic components. Based in Hongkong, we have already established firm and mutual-benefit business relationships with customers from,Europe,America and south Asia,supplying obsolete and hard-to-find components to meet their specific needs.

With the principle of “Quality Parts,Customers Priority,Honest Operation,and Considerate Service”,our business mainly focus on the distribution of electronic components. Line cards we deal with include Microchip,ALPS,ROHM,Xilinx,Pulse,ON,Everlight and Freescale. Main products comprise IC,Modules,Potentiometer,IC Socket,Relay,Connector.Our parts cover such applications as commercial,industrial, and automotives areas.

We are looking forward to setting up business relationship with you and hope to provide you with the best service and solution. Let us make a better world for our industry!



Contact us

Tel: +86-755-8981 8866 Fax: +86-755-8427 6832

Email & Skype: info@chipsmall.com Web: www.chipsmall.com

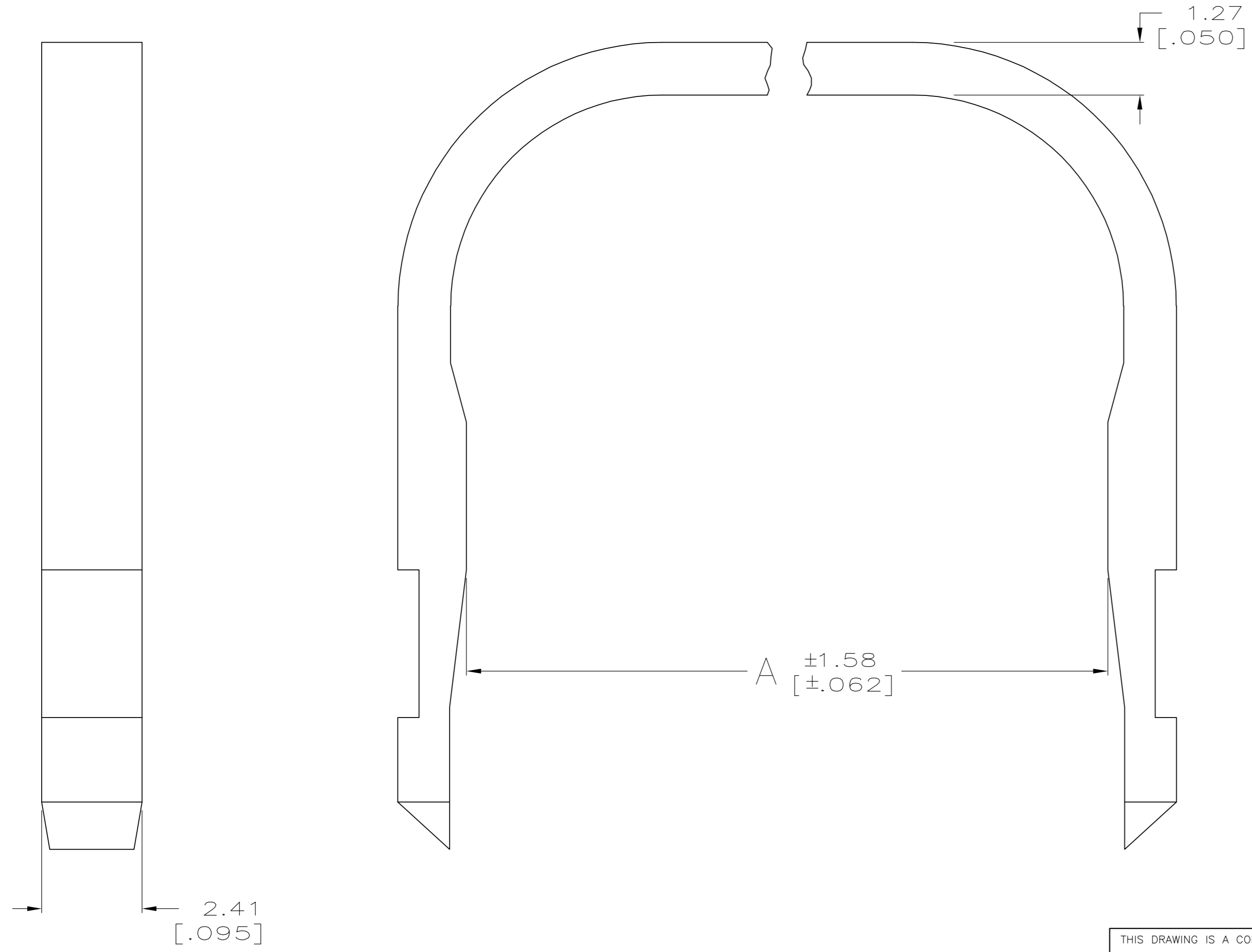
Address: A1208, Overseas Decoration Building, #122 Zhenhua RD., Futian, Shenzhen, China



THIS DRAWING IS UNPUBLISHED. RELEASED FOR PUBLICATION
 © COPYRIGHT BY TYCO ELECTRONICS CORPORATION. ALL RIGHTS RESERVED.

LOC	DIST	REVISIONS			
P	LTR	DESCRIPTION	DATE	DWN	APVD
GP	00				
C		REV PER EC 0513-0331-05	27SEP06	JDP	CWR

FOR USE ON AMP-LATCH RECEPTACLES AND NOVA RECEPTACLES WITHOUT STRAIN RELIEFS.



OBSOLETE	82.55 [3.250]	64	1-746601-3
OBSOLETE	77.47 [3.050]	60	1-746601-2
	64.77 [2.550]	50	1-746601-1
OBSOLETE	57.15 [2.250]	44	1-746601-0
OBSOLETE	52.07 [2.050]	40	746601-9
OBSOLETE	44.45 [1.750]	34	746601-8
OBSOLETE	39.37 [1.550]	30	746601-7
OBSOLETE	34.29 [1.350]	26	746601-6
OBSOLETE	31.75 [1.250]	24	746601-5
OBSOLETE	26.67 [1.050]	20	746601-4
OBSOLETE	21.59 [.850]	16	746601-3
OBSOLETE	19.05 [.750]	14	746601-2
OBSOLETE	13.97 [.550]	10	746601-1
	A	NO OF POS	PART NUMBER

THIS DRAWING IS A CONTROLLED DOCUMENT.		DWN	J.GALUCCI	20 OCT 89	Tyco Electronics Corporation Harrisburg, PA 17105-3608
DIMENSIONS: mm [INCHES]		CHK	H.MOLL	28 OCT 89	
TOLERANCES UNLESS OTHERWISE SPECIFIED:		APVD	-	-	AMP-LATCH, RECEPTACLE, SNAP-ON PULL HANDLE
0 PLC ± - 1 PLC ± - 2 PLC ± - 3 PLC ± 0.13[.005] 4 PLC ± - ANGLES ± -		PRODUCT SPEC	-	-	
MATERIAL: NYLON 94V-0 RATED		FINISH	-	-	SIZE: A2
		WEIGHT	-	-	CAGE CODE: 00779
		CUSTOMER DRAWING	-	-	DRAWING NO: C=746601
		SCALE	10:1	SHEET	1 OF 1
		REV	C		RESTRICTED TO: -