



Chipsmall Limited consists of a professional team with an average of over 10 year of expertise in the distribution of electronic components. Based in Hongkong, we have already established firm and mutual-benefit business relationships with customers from,Europe,America and south Asia,supplying obsolete and hard-to-find components to meet their specific needs.

With the principle of “Quality Parts,Customers Priority,Honest Operation,and Considerate Service”,our business mainly focus on the distribution of electronic components. Line cards we deal with include Microchip,ALPS,ROHM,Xilinx,Pulse,ON,Everlight and Freescale. Main products comprise IC,Modules,Potentiometer,IC Socket,Relay,Connector.Our parts cover such applications as commercial,industrial, and automotives areas.

We are looking forward to setting up business relationship with you and hope to provide you with the best service and solution. Let us make a better world for our industry!



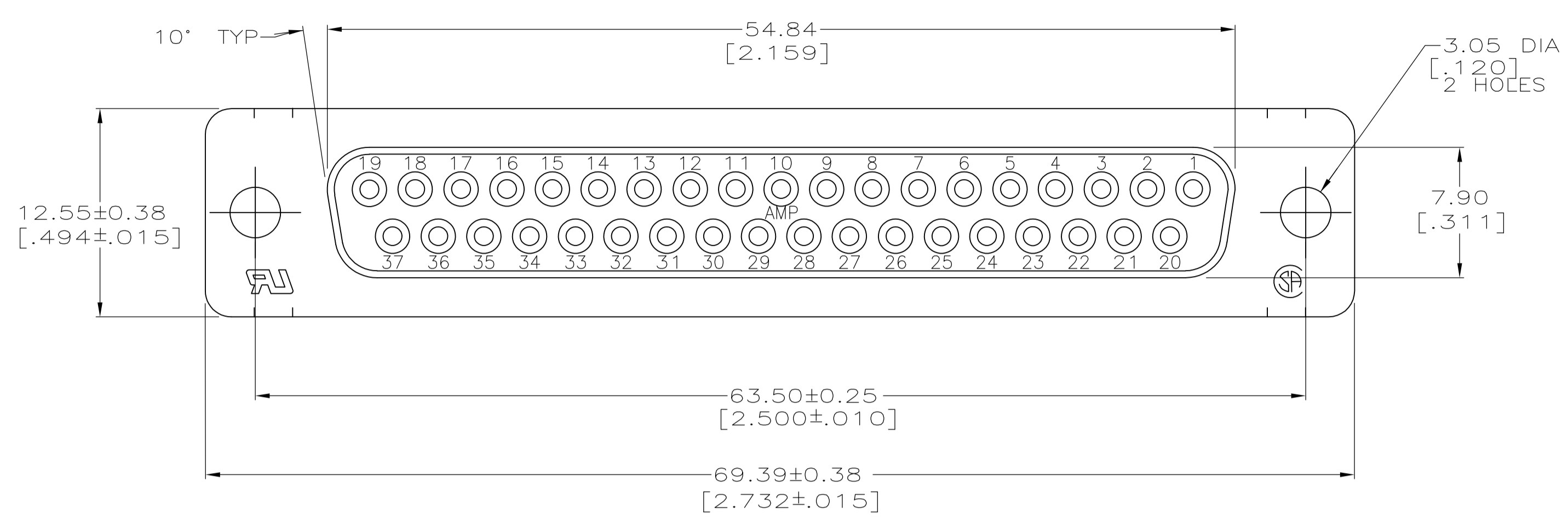
Contact us

Tel: +86-755-8981 8866 Fax: +86-755-8427 6832

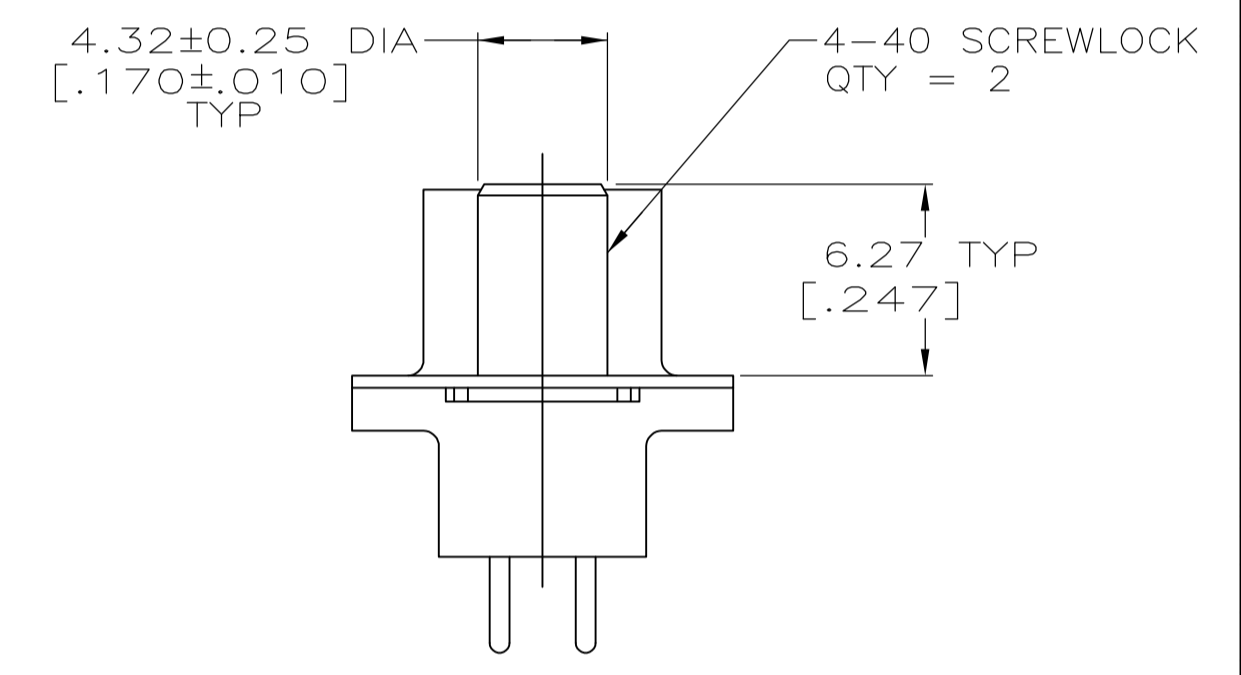
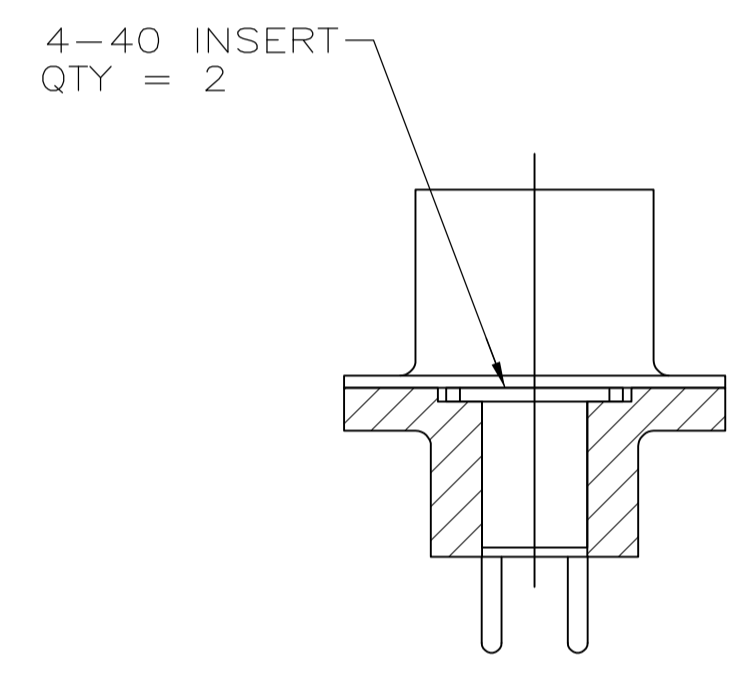
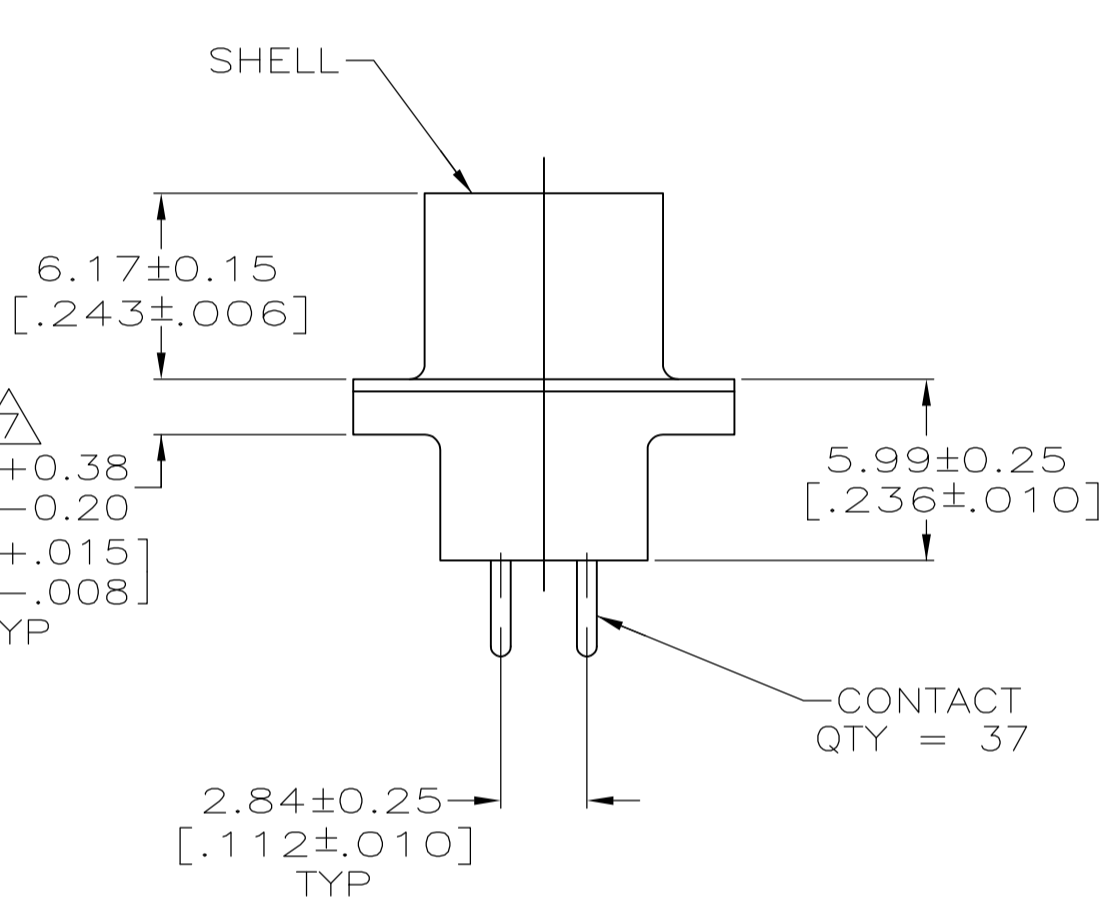
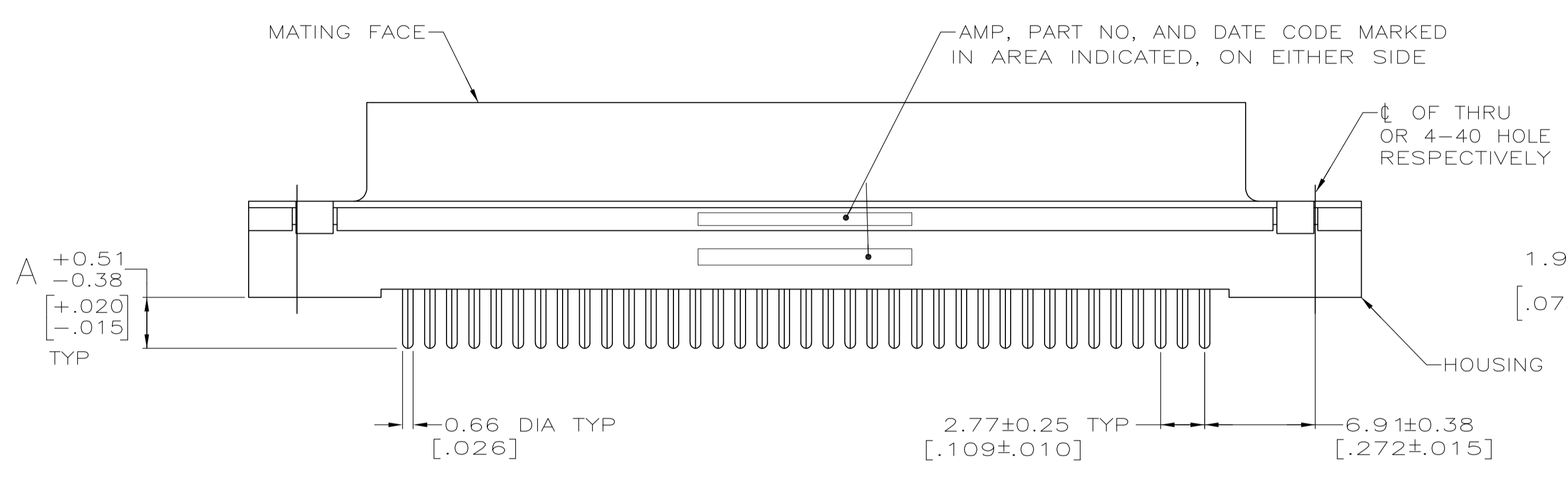
Email & Skype: info@chipsmall.com Web: www.chipsmall.com

Address: A1208, Overseas Decoration Building, #122 Zhenhua RD., Futian, Shenzhen, China



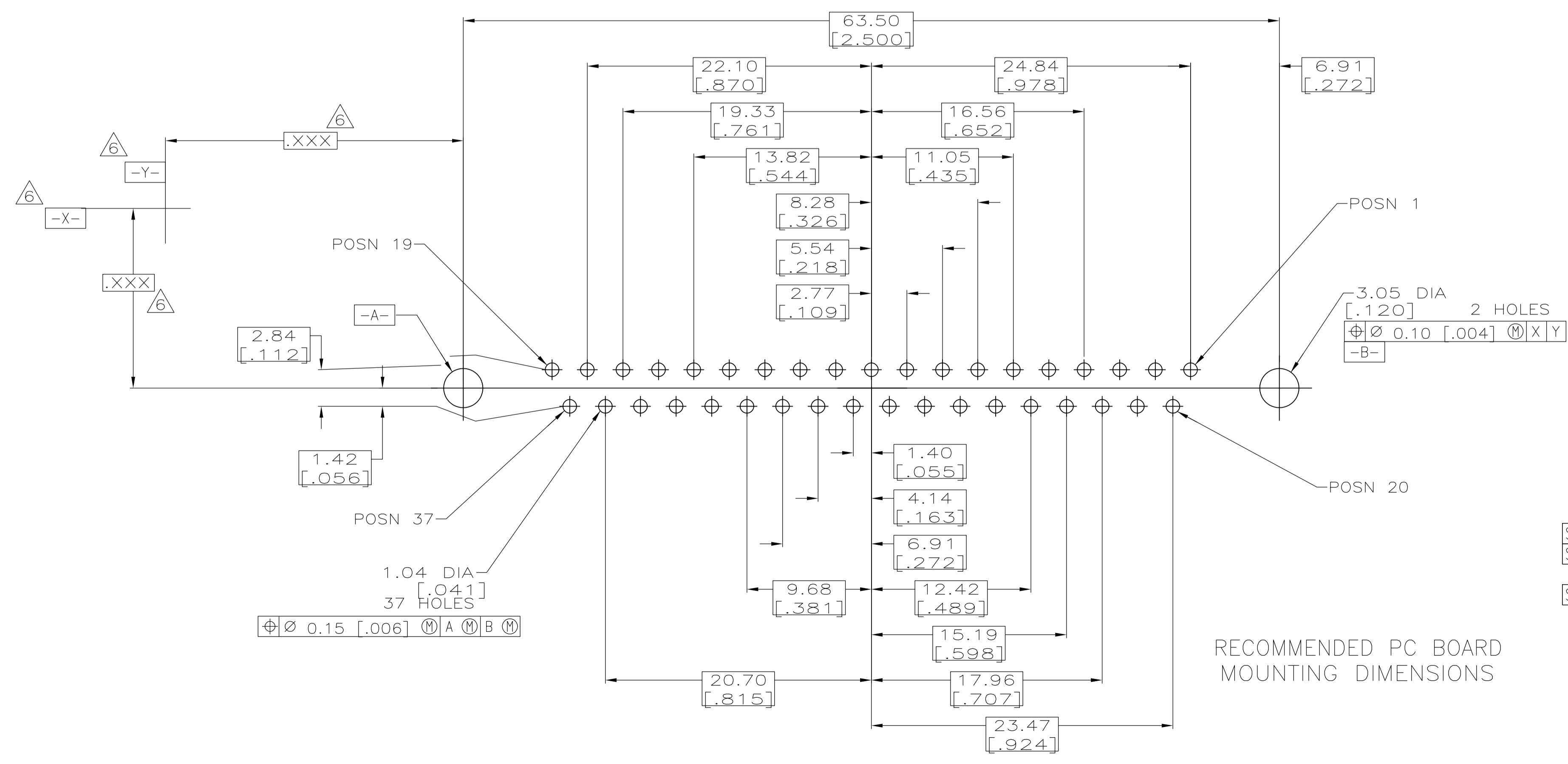


- 1 HOUSING: BLACK POLYESTER, UL 94V-0 RATED; CONTACT: PHOSPHOR BRONZE
SHELL: CARBON STEEL; SCREWLOCK: ZINC; INSERT: BRASS.
- 2 NOTE DELETED.
- 3 GOLD FLASH FOR A LENGTH OF 2.54[.100] MIN FROM MATING END,
2.54μm[.000100] MIN TIN OR TIN-LEAD FOR A LENGTH OF DIMENSION A FROM
OPPOSITE END, BOTH OVER 1.27μm[.000050] MIN NICKEL.
- 4 0.76μm[.000030] MIN GOLD FOR A LENGTH OF 2.54[.100] MIN FROM MATING END,
2.54μm[.000100] MIN TIN OR TIN-LEAD FOR A LENGTH OF DIMENSION A FROM
OPPOSITE END, BOTH OVER 1.27μm[.000050] MIN NICKEL.
- 5 5.08μm[.000200] MIN TIN OVER 2.54μm[.000100] MIN COPPER.
- 6 DATUMS AND BASIC DIMENSIONS ESTABLISHED BY CUSTOMERS.
- 7 2.79[.110] MAX IN SHELL TAB CLINCH AREAS.



DETAIL D

DETAIL E



RECOMMENDED PC BOARD MOUNTING DIMENSIONS

	A	MOUNTING HARDWARE	CONTACT FINISH	PART NUMBER
OBSOLETE	6.35 [.250]	4-40 SCREWLOCK (DETAIL E)	4	1-747301-8
OBSOLETE	6.35 [.250]	4-40 SCREWLOCK (DETAIL E)	3	1-747301-7
	4.32 [.170]	4-40 SCREWLOCK (DETAIL E)	4	1-747301-6
OBSOLETE	4.32 [.170]	4-40 SCREWLOCK (DETAIL E)	3	1-747301-5
	3.18 [.125]	4-40 SCREWLOCK (DETAIL E)	4	1-747301-4
OBSOLETE	3.18 [.125]	4-40 SCREWLOCK (DETAIL E)	3	1-747301-3
OBSOLETE	6.35 [.250]	4-40 INSERT (DETAIL D)	4	1-747301-2
OBSOLETE	6.35 [.250]	4-40 INSERT (DETAIL D)	3	1-747301-1
OBSOLETE	4.32 [.170]	4-40 INSERT (DETAIL D)	4	1-747301-0
OBSOLETE	4.32 [.170]	4-40 INSERT (DETAIL D)	3	747301-9
	3.18 [.125]	4-40 INSERT (DETAIL D)	4	747301-8
	3.18 [.125]	4-40 INSERT (DETAIL D)	3	747301-7
OBSOLETE	6.35 [.250]	-	4	747301-6
OBSOLETE	6.35 [.250]	-	3	747301-5
SUPERSEDED BY 747301-2	4.32 [.170]	-	4	747301-4
SUPERSEDED BY 747301-4	4.32 [.170]	-	3	747301-3
	3.18 [.125]	-	4	747301-2
SUPERSEDED BY 747301-2	3.18 [.125]	-	3	747301-1

THIS DRAWING IS A CONTROLLED DOCUMENT.

DIMENSIONS: INCHES	TOLERANCES UNLESS OTHERWISE SPECIFIED:	REVISED BY	DATE	APPROVED BY
0 PLC ± -	1 PLC ± -	J. McCLINTON	12-4-89	R. STONE
2 PLC ± -	3 PLC ± 0.13 [.005]		2-1-90	
4 PLC ± -	ANGLES ± -	G. ROHDE	2-2-90	

MATERIAL: SEE TABLE

SIZE: 114-40023

WEIGHT: -

CUSTOMER DRAWING

SCALE: 4:1

SHEET 1 OF 1

REV -

TYCO ELECTRONICS CORPORATION
 HARRISBURG, PA 17105-3608

RECEPTACLE ASSEMBLY, SIZE 4, 37 POSN, VERTICAL, FRONT METAL SHELL, AMPLIMITE HD-20