



Chipsmall Limited consists of a professional team with an average of over 10 year of expertise in the distribution of electronic components. Based in Hongkong, we have already established firm and mutual-benefit business relationships with customers from,Europe,America and south Asia,supplying obsolete and hard-to-find components to meet their specific needs.

With the principle of “Quality Parts,Customers Priority,Honest Operation,and Considerate Service”,our business mainly focus on the distribution of electronic components. Line cards we deal with include Microchip,ALPS,ROHM,Xilinx,Pulse,ON,Everlight and Freescale. Main products comprise IC,Modules,Potentiometer,IC Socket,Relay,Connector.Our parts cover such applications as commercial,industrial, and automotives areas.

We are looking forward to setting up business relationship with you and hope to provide you with the best service and solution. Let us make a better world for our industry!



Contact us

Tel: +86-755-8981 8866 Fax: +86-755-8427 6832

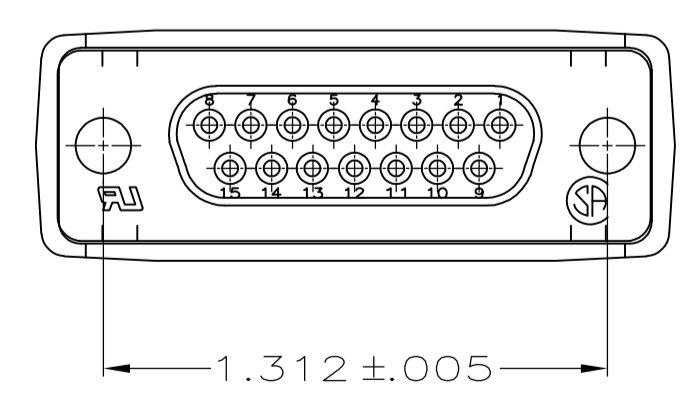
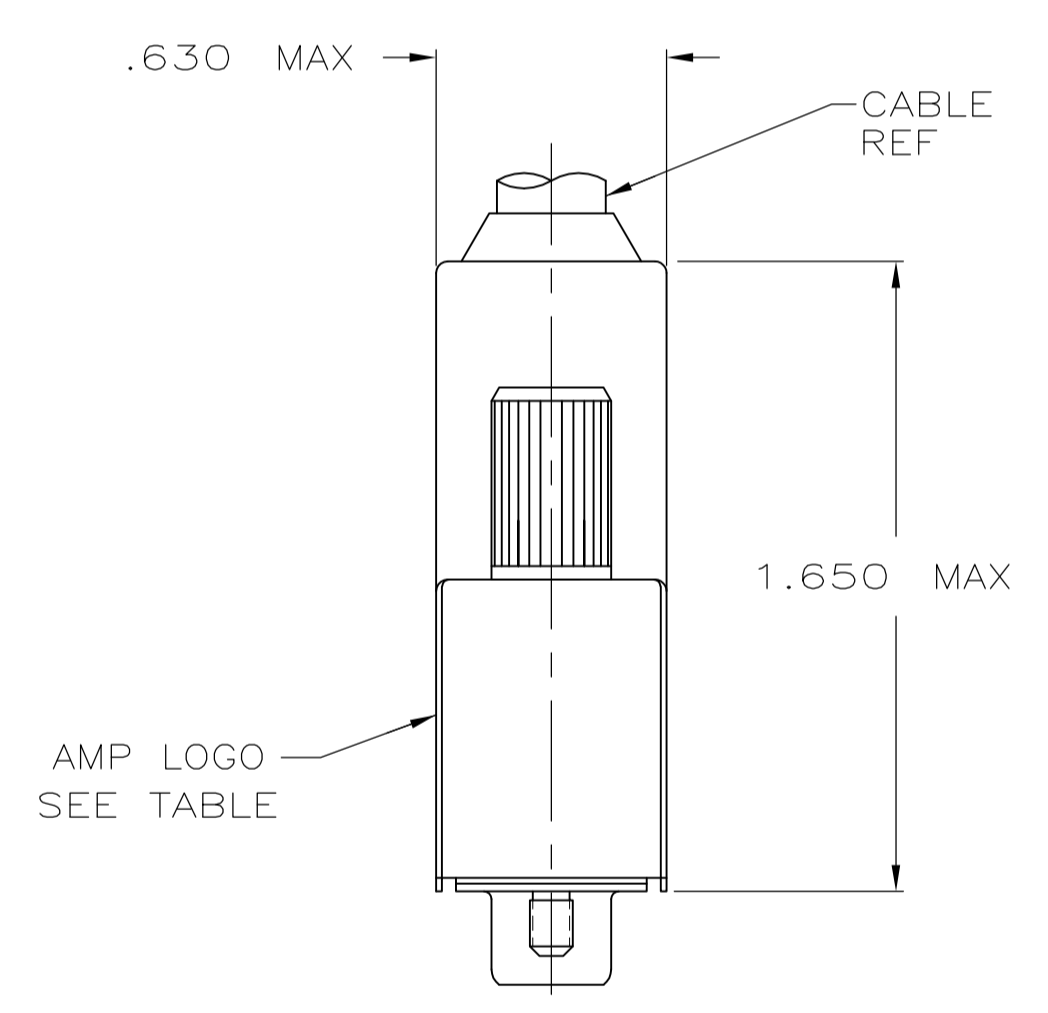
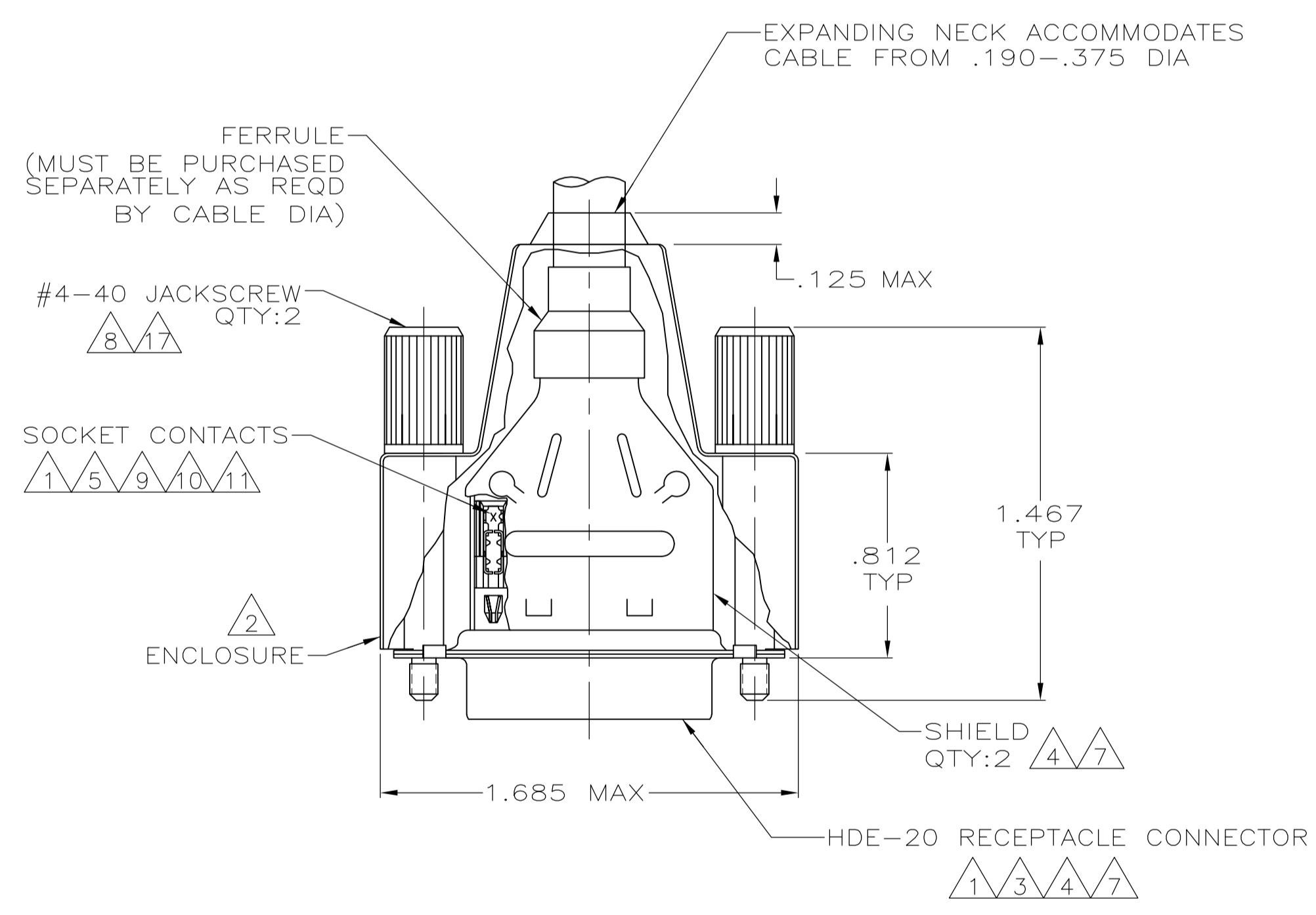
Email & Skype: info@chipsmall.com Web: www.chipsmall.com

Address: A1208, Overseas Decoration Building, #122 Zhenhua RD., Futian, Shenzhen, China



REVISIONS				
REV	DESCRIPTION	DATE	BY	APP'D
AA	REVISED PER ECO-17-002903	20MAR2017	AP	DG

- 1 RECEPTACLE CONNECTOR FULLY LOADED WITH CONTACTS. ALL OTHER PARTS ARE SHIPPED UNASSEMBLED. EACH PART INDIVIDUALLY BULK PACKED.
- 2 FLAME RETARDANT 94V-0 RATED, POLYOLEFIN OR PVC, BLACK.
- 3 FLAME RETARDANT 94V-0 RATED, GLASS-FILLED, NYLON OR POLYESTER, BLACK.
- 4 STEEL PER ASTM A109.
- 5 PHOSPHOR BRONZE PER QQ-B-750.
- 6 GOLD PLATING PER MIL-G-45204, NICKEL PLATING PER QQ-N-290, TIN PLATING PER MIL-T-10727, ZINC PLATING PER B633, TYPE II, CLASS SCI, BLACK CHROMATE.
- 7 TIN PLATED.
- 8 BLACK ZINC FLAKE COATING.
- 9 PLATED WITH GOLD FLASH ON MATING END FOR LENGTH OF .100 MIN, .000100-.000200 TIN OR TIN LEAD ON TERMINATION END, ALL OVER .000030 MIN NICKEL ON ENTIRE CONTACT.
- 10 PLATED WITH .000030 GOLD FOR LENGTH OF .100 MIN FROM MATING END, WITH POINT OF MEASUREMENT .050 FROM MATING END OF CONTACT, .000100-.000200 TIN OR TIN LEAD ON TERMINATION END, ALL OVER .000030 MIN NICKEL ON ENTIRE CONTACT.
- 11 NUMBER ON CONTACT INDICATES WIRE RANGE.
- 12 OBSOLETE PART NUMBER.
- 13 SEE RESTRICTED CUSTOMER DRAWING 1-747945-3.
- 14 CONTACTS SELECTIVELY LOADED IN POSITIONS 2,3,5,6,9,10,12, & 13.
- 15 PLATED WITH .000030 GOLD FOR LENGTH OF .100 MIN FROM MATING END, .000100-.000200 TIN ON TERMINATION END, ALL OVER .000050 MIN NICKEL UNDERPLATE ON ENTIRE CONTACT.
- 16 PLATED WITH GOLD FLASH FOR A LENGTH OF .100 MIN FROM MATING END, .000100-.000200 TIN ON TERMINATION END, ALL OVER .000030 MIN NICKEL UNDERPLATE ON ENTIRE CONTACT.
- 17 CARBON STEEL, C1022.



REV	DESCRIPTION	DATE	BY	APP'D
16	YES	2	22-26	1-747945-6
15	YES	1	26-30	1-747945-5
9	YES	2	22-26	1-747945-4
				1-747945-3
9	NO	3	20-22	1-747945-2
	NO	2	22-26	1-747945-1
	NO	1	26-30	1-747945-0
10	NO	3	20-22	747945-9
	NO	2	22-26	747945-8
	NO	1	26-30	747945-7
9	YES	3	20-22	747945-6
	YES	2	22-26	747945-5
	YES	1	26-30	747945-4
10	YES	3	20-22	747945-3
	YES	2	22-26	747945-2
	YES	1	26-30	747945-1
CONTACT FINISH	LOGO	WIRE RANGE	PART NUMBER	

THIS DRAWING IS A CONTROLLED DOCUMENT.

DIMENSIONS: INCHES	TOLERANCES UNLESS OTHERWISE SPECIFIED:	DIN L VARELA - DOCKS 11-17-04	TE Connectivity
0 PLC ± -	1 PLC ± -	J. GERACE 11-17-04	NAME
2 PLC ± -	3 PLC ± .020	M. WALMSLEY 11-17-04	PRODUCT SPEC
4 PLC ± -	ANGLES ± -		APPLICATION SPEC
MATERIAL	FINISH	114-40002	SIZE
2,3,4,5,17	6,7,8	0.000000	100779
CUSTOMER DRAWING		SCALE 2:1	SHEET 1 OF 1

SHIELDING ENCLOSURE KIT, RCPT, SIZE 2, 15 POSN, AMPLIMITE HDE-20

SCALE 2:1 SHEET 1 OF 1 REV AA