



Chipsmall Limited consists of a professional team with an average of over 10 year of expertise in the distribution of electronic components. Based in Hongkong, we have already established firm and mutual-benefit business relationships with customers from,Europe,America and south Asia,supplying obsolete and hard-to-find components to meet their specific needs.

With the principle of “Quality Parts,Customers Priority,Honest Operation,and Considerate Service”,our business mainly focus on the distribution of electronic components. Line cards we deal with include Microchip,ALPS,ROHM,Xilinx,Pulse,ON,Everlight and Freescale. Main products comprise IC,Modules,Potentiometer,IC Socket,Relay,Connector.Our parts cover such applications as commercial,industrial, and automotives areas.

We are looking forward to setting up business relationship with you and hope to provide you with the best service and solution. Let us make a better world for our industry!



Contact us

Tel: +86-755-8981 8866 Fax: +86-755-8427 6832

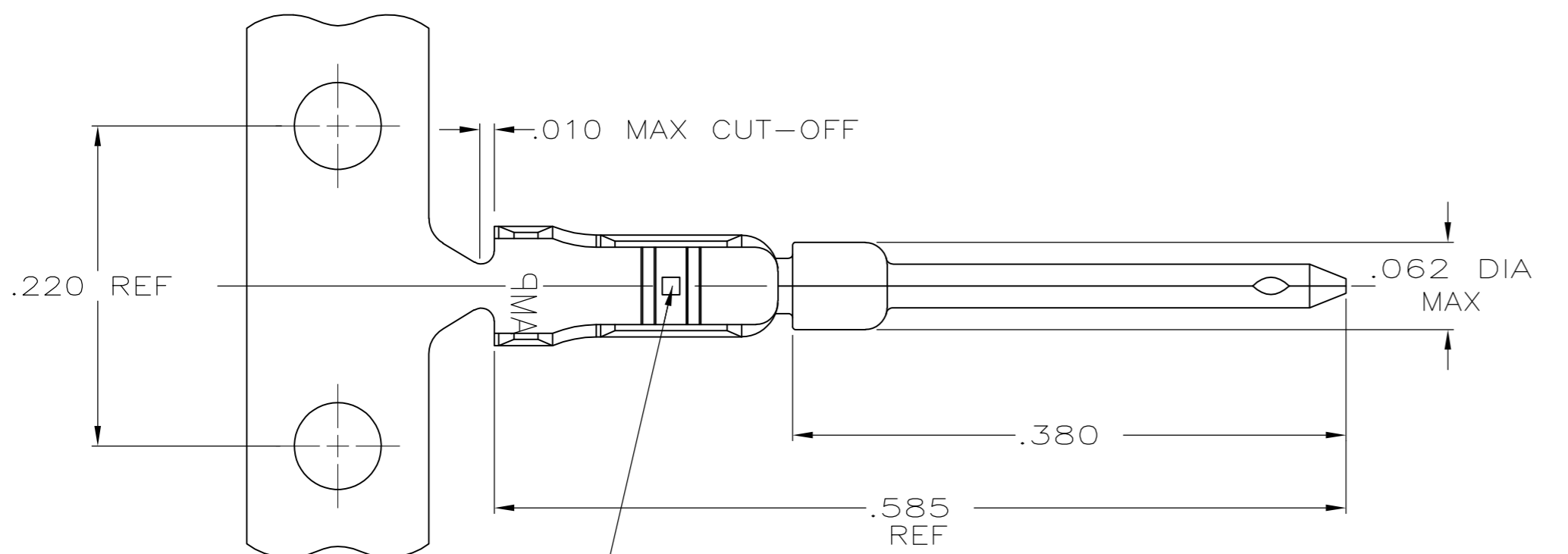
Email & Skype: info@chipsmall.com Web: www.chipsmall.com

Address: A1208, Overseas Decoration Building, #122 Zhenhua RD., Futian, Shenzhen, China

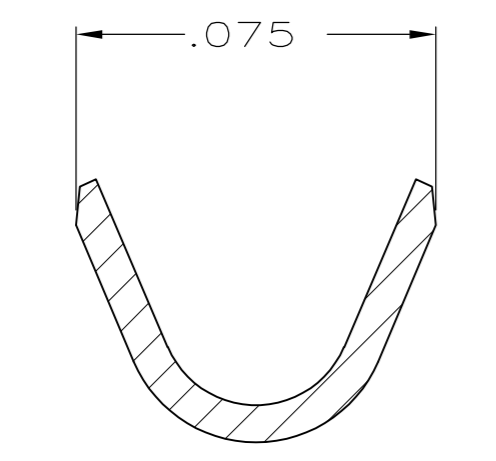
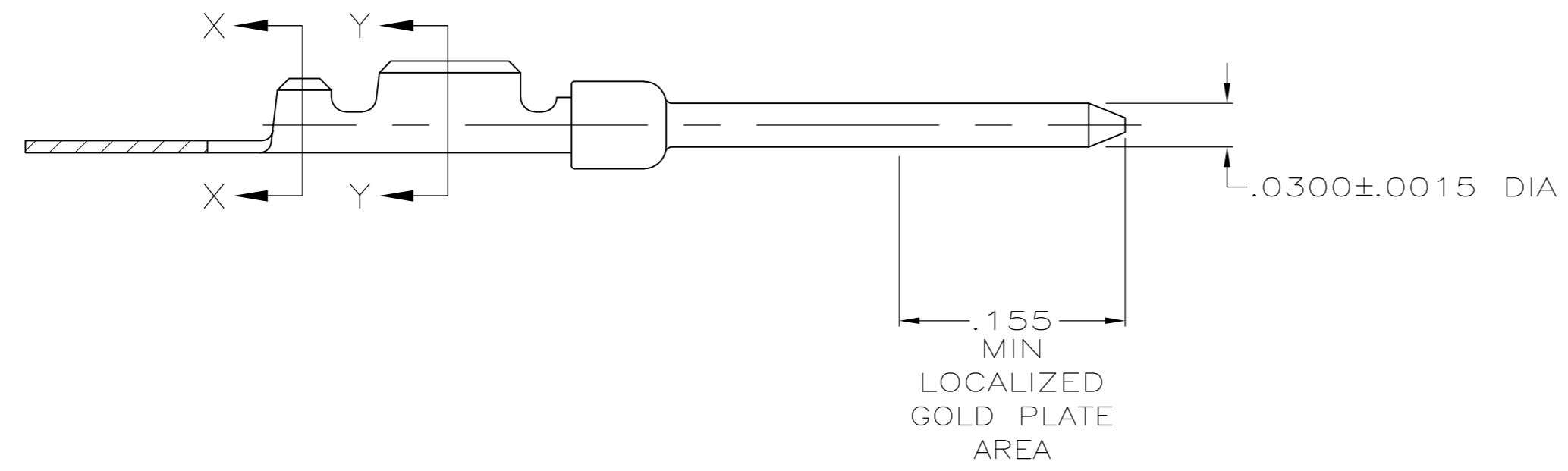


THIS DRAWING IS UNPUBLISHED. RELEASED FOR PUBLICATION
 © COPYRIGHT - By - ALL RIGHTS RESERVED.

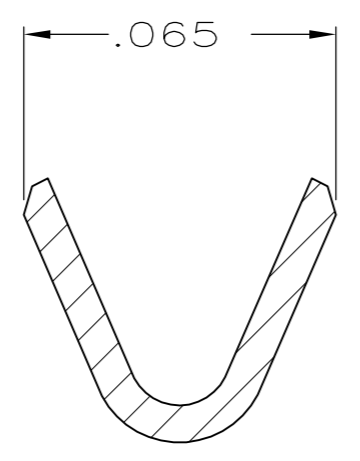
LOC		DIST		REVISIONS			
P	LTR	DESCRIPTION		DATE	DWN	APVD	
GP	00	K	REVISED PER ECO-11-012231	12SEP2011	CJV	CWR	



COLOR CODED GREEN, ON FAR SIDE INDICATES 22-28 AWG WIRE RANGE LOOSE PIECE ONLY



SECTION X-X
INSULATION BARREL
SCALE 25:1



SECTION Y-Y
WIRE BARREL
SCALE 25:1

- ① FOR MINI APPLICATOR.
- ② FOR HAND TOOL USE ONLY.
- 3. WIRE RANGE OF 22-28, INSULATION RANGE OF .030-.040.
- ④ GOLD PLATING PER MIL-G-45204, NICKEL PLATING PER QQ-N-290, TIN PLATING PER MIL-T-10727.
- ⑤ GOLD PLATED IN LOCALIZED GOLD PLATED AREA, 000030 MIN GOLD IN MATED AREA, .000100 MIN TIN IN WIRE & INSULATION BARRELS, BOTH OVER .000050 MIN NICKEL.
- ⑥ GOLD FLASH IN LOCALIZED GOLD PLATE AREA, .000100 MIN TIN IN WIRE & INSULATION BARRELS, BOTH OVER .000030 MIN NICKEL.
- ⑦ .000050 MIN GOLD OVER .000050 MIN NICKEL ON ENTIRE CONTACT.
- ⑧ GOLD PLATED IN LOCALIZED GOLD PLATED AREA, 000015 MIN GOLD IN MATED AREA, .000100 MIN TIN IN WIRE & INSULATION BARRELS, BOTH OVER .000050 MIN NICKEL.
- ⑨ GOLD PLATING ON THE CARRIER STRIP IS NOT REQUIRED.

PACKAGING TYPE	FINISH	USE	TYPE	PART NUMBER
SUPERSEDED BY 748333-2	STANDARD	⑧ ⑨	①	STRIP 1-748333-5
OBSOLETE	SMALL PACK	⑤	②	LOOSE PIECE 1-748333-4
	STANDARD	⑦ ⑨	①	STRIP 748333-9
OBSOLETE AMP BRAZIL USE ONLY	STANDARD	-	①	STRIP 748333-8
OBSOLETE	STANDARD	⑥	②	LOOSE PIECE 748333-7
OBSOLETE	STANDARD	⑥	①	STRIP 748333-5
OBSOLETE	STANDARD	⑤	②	LOOSE PIECE 748333-4
OBSOLETE	STANDARD	⑤	①	STRIP 748333-2

THIS DRAWING IS A CONTROLLED DOCUMENT.

DWN C.RICHARD 09/25/86		TE Connectivity	
CHK S.WELDON 09/26/86		NAME	
APVD -		PRODUCT SPEC	
APPLICATION SPEC		APPLICATION SPEC	
MATERIAL BRASS PER MIL-C-50	FINISH SEE TABLE, NOTE 4	WEIGHT -	SIZE A2
CUSTOMER DRAWING		SCALE 10:1	SHEET 1 of 1

PIN CONTACT, SIZE 22 DF, 22-28 AWG, W/.030-.040 DIA INSULATION SUPPORT

SIZE A2 CAGE CODE 00779 C=748333

RESTRICTED TO -

REV K