



Chipsmall Limited consists of a professional team with an average of over 10 year of expertise in the distribution of electronic components. Based in Hongkong, we have already established firm and mutual-benefit business relationships with customers from,Europe,America and south Asia,supplying obsolete and hard-to-find components to meet their specific needs.

With the principle of “Quality Parts,Customers Priority,Honest Operation,and Considerate Service”,our business mainly focus on the distribution of electronic components. Line cards we deal with include Microchip,ALPS,ROHM,Xilinx,Pulse,ON,Everlight and Freescale. Main products comprise IC,Modules,Potentiometer,IC Socket,Relay,Connector.Our parts cover such applications as commercial,industrial, and automotives areas.

We are looking forward to setting up business relationship with you and hope to provide you with the best service and solution. Let us make a better world for our industry!



Contact us

Tel: +86-755-8981 8866 Fax: +86-755-8427 6832

Email & Skype: info@chipsmall.com Web: www.chipsmall.com

Address: A1208, Overseas Decoration Building, #122 Zhenhua RD., Futian, Shenzhen, China

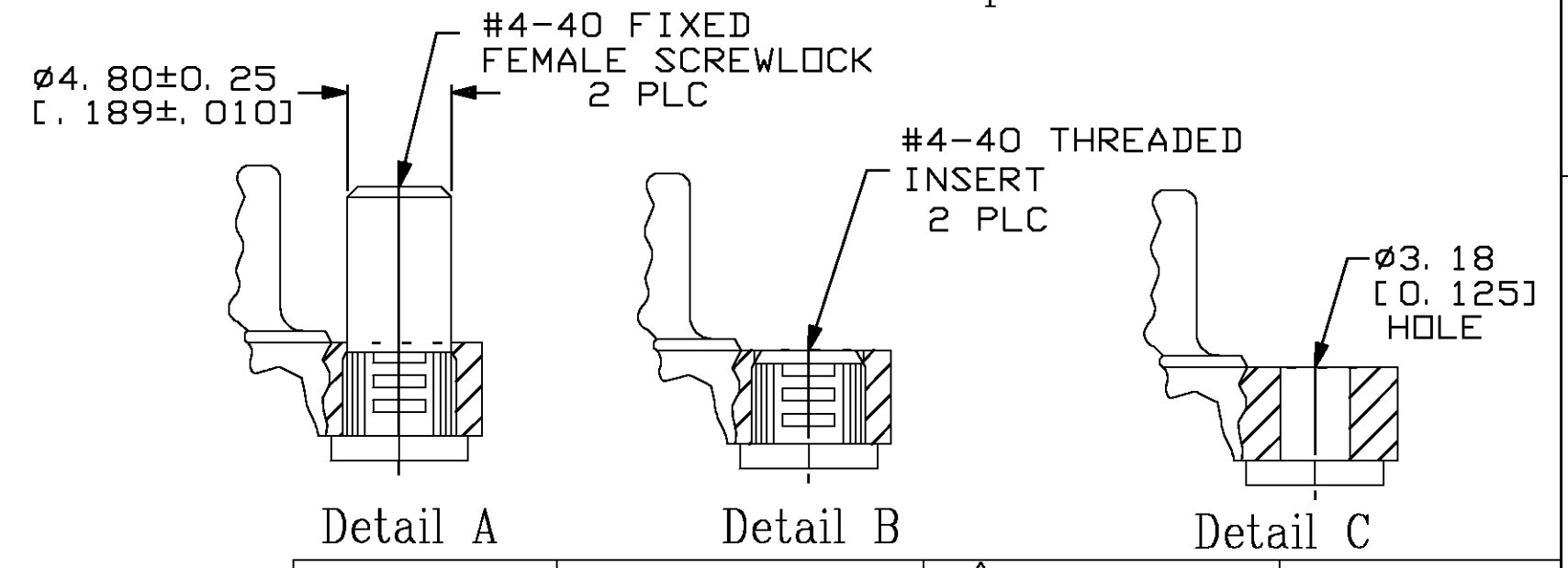
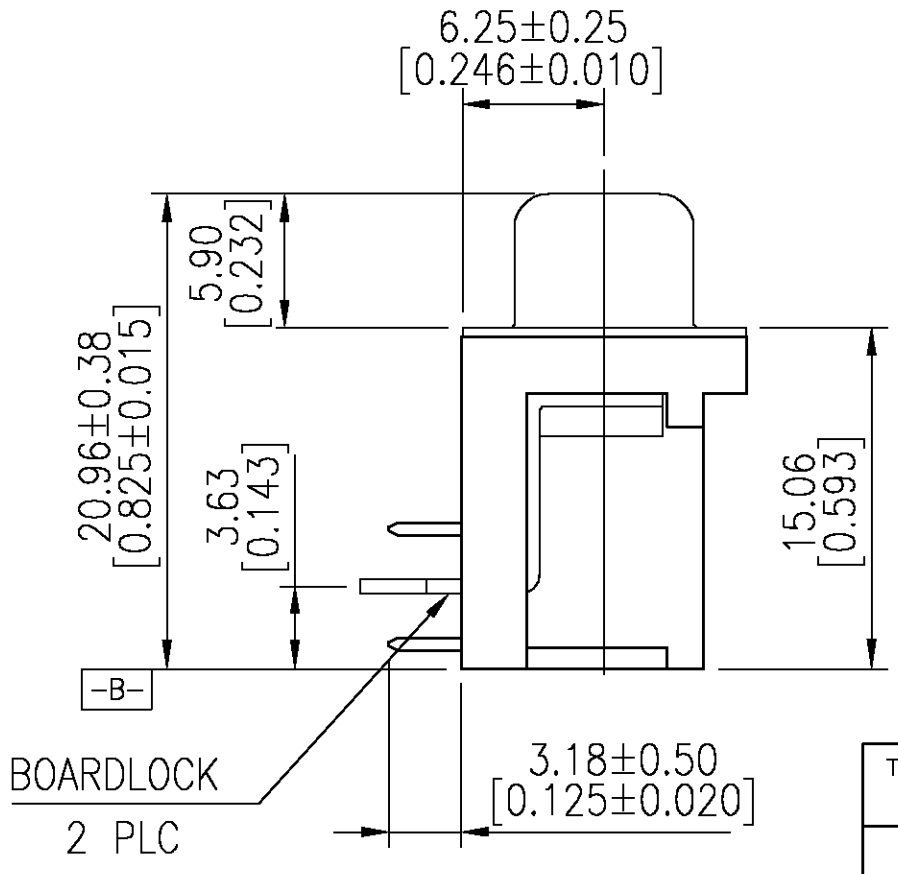
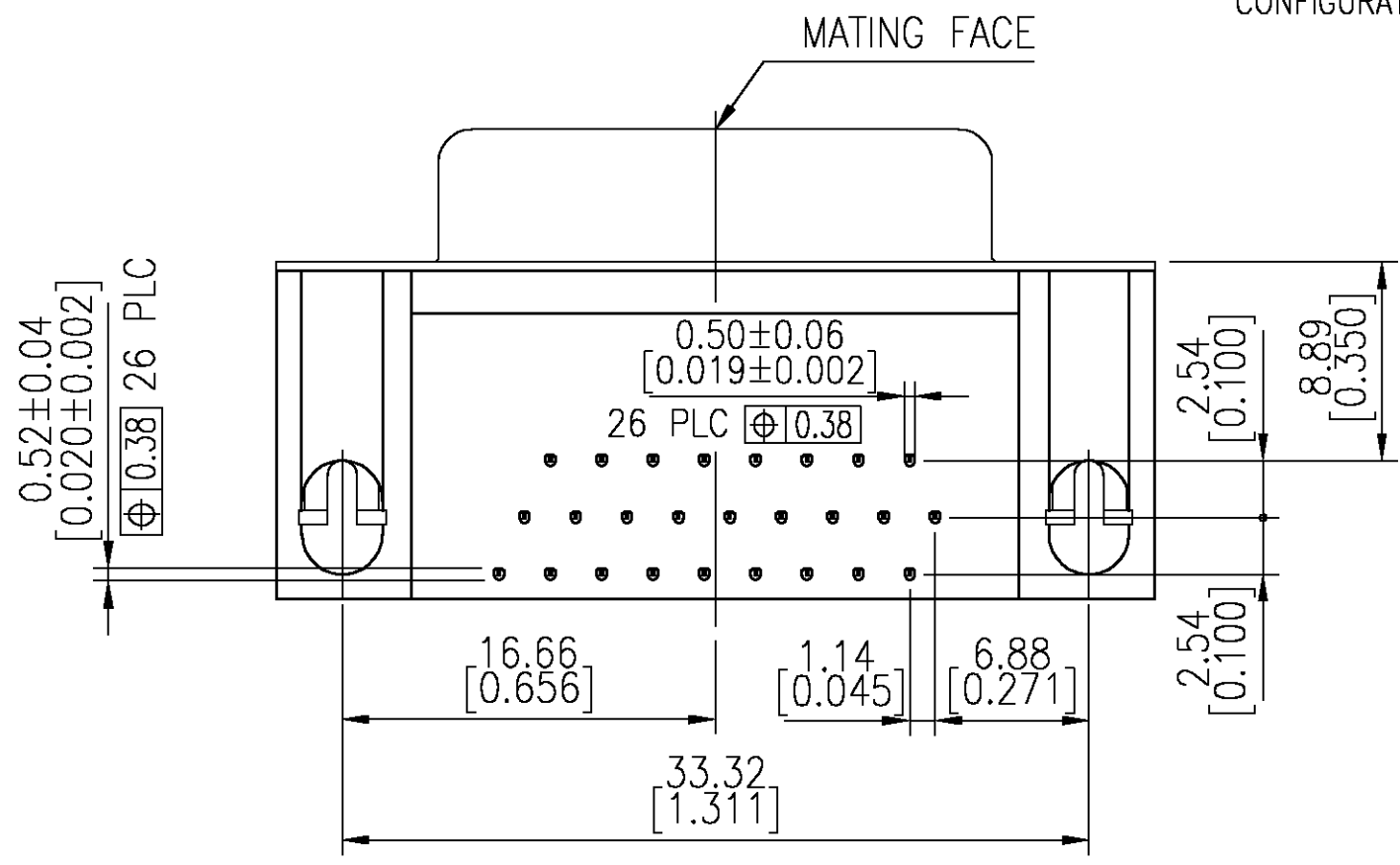
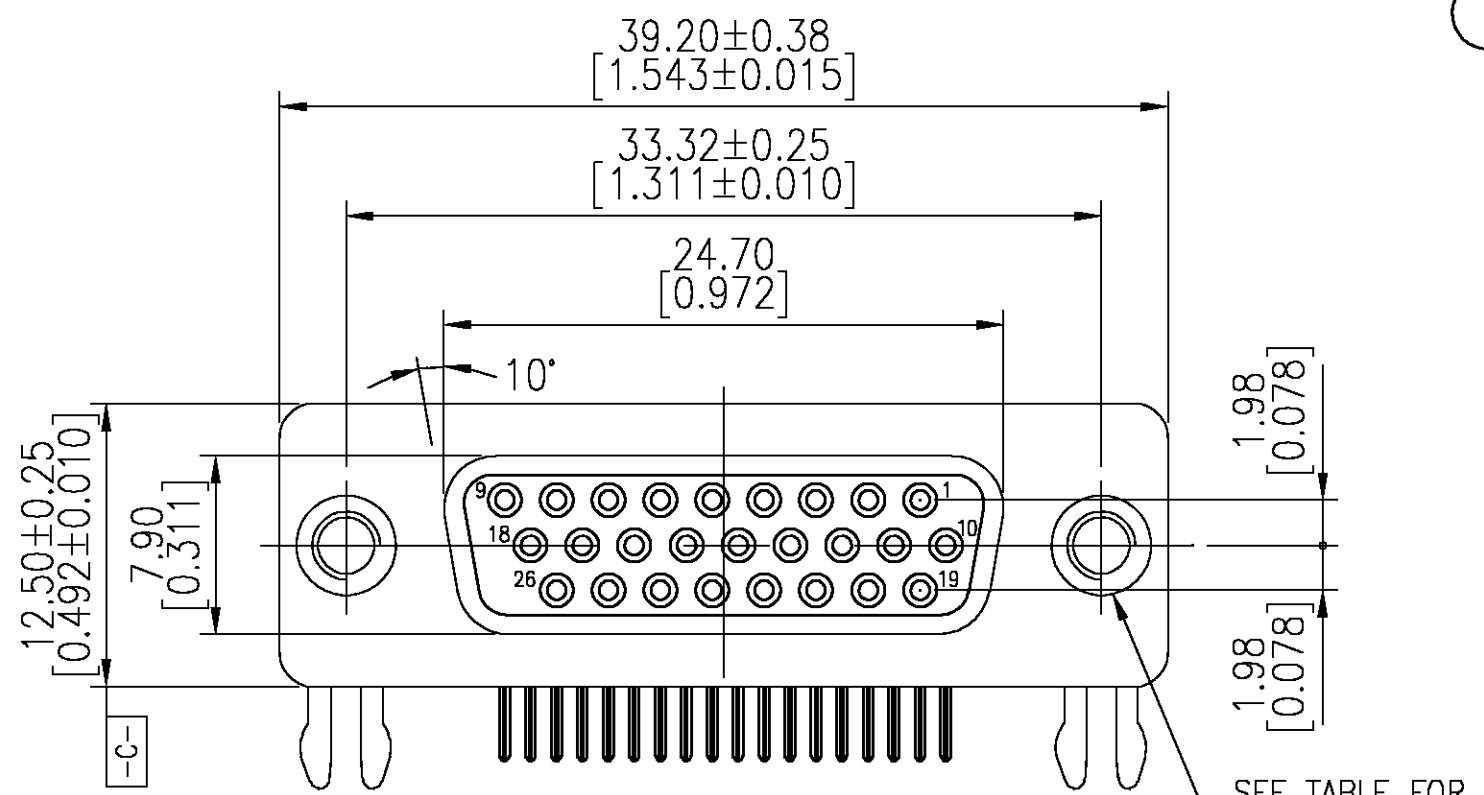
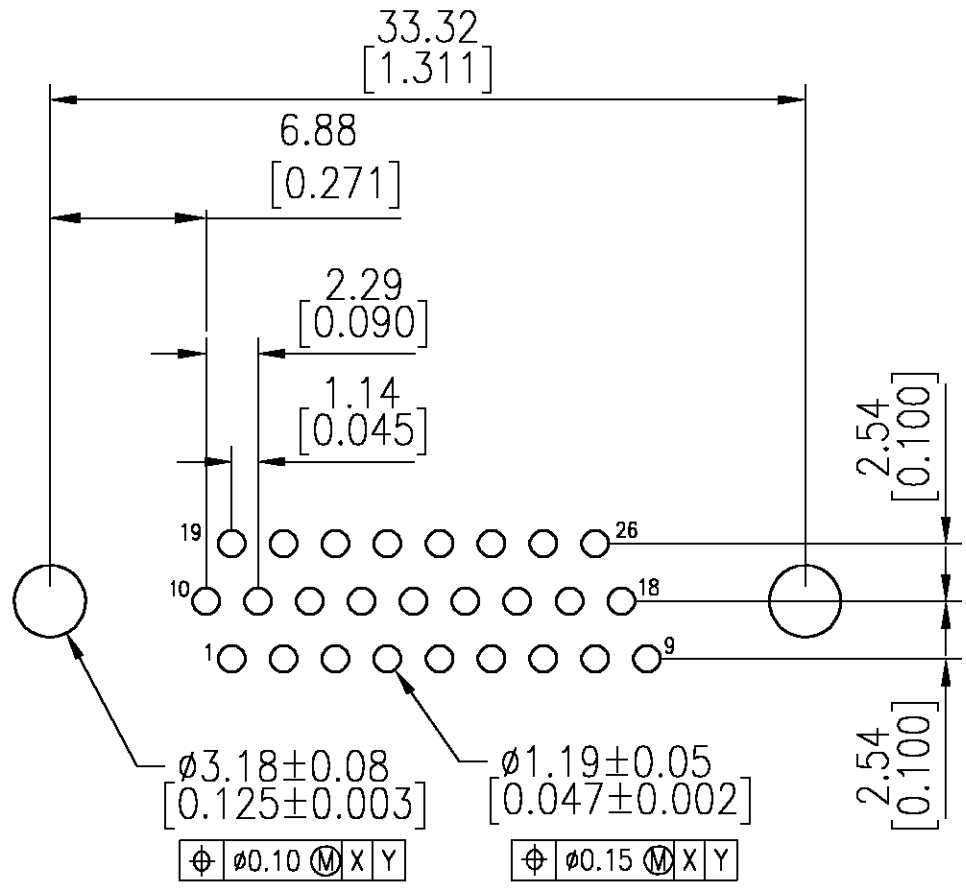
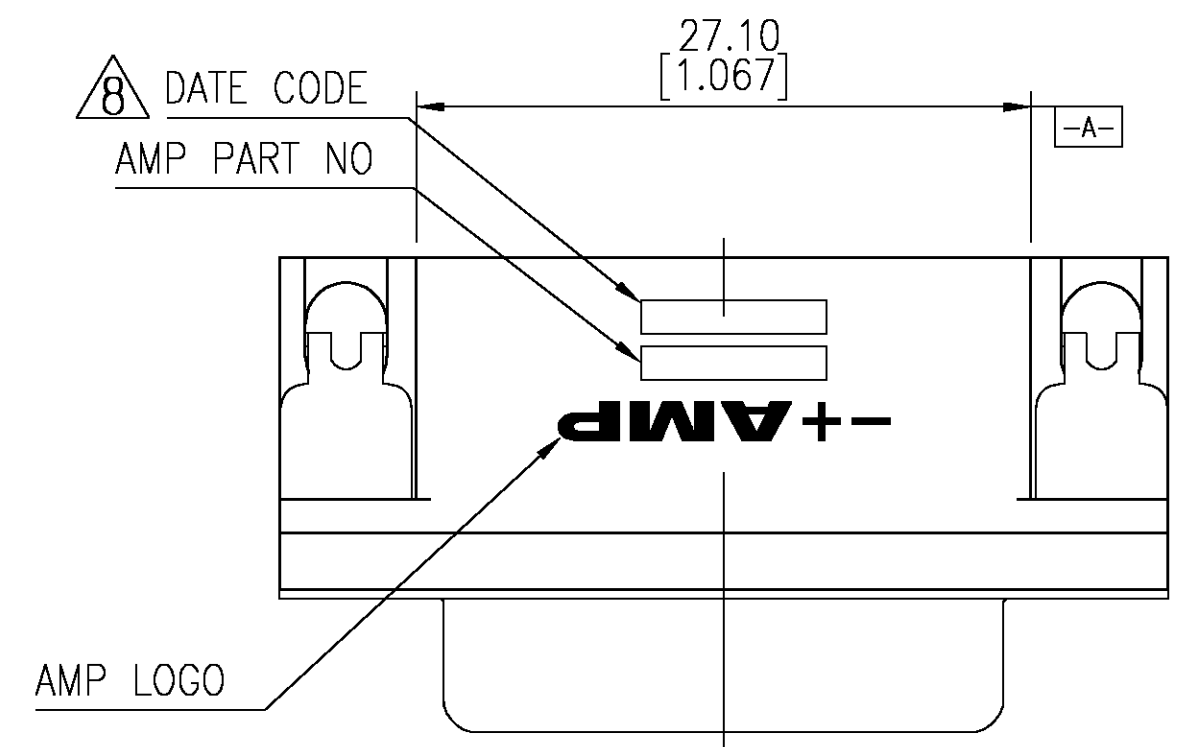


THIS DRAWING IS UNPUBLISHED. RELEASED FOR PUBLICATION
 © COPYRIGHT BY TYCO ELECTRONICS CORPORATION. ALL RIGHTS RESERVED.

LOC		DIST		REVISIONS			
GP	00	P	LTR	DESCRIPTION	DATE	DWN	APVD
		AB		REVISED PER EC OS13-0175-03	05JUN03	JG	CC

MATERIAL:

- Housing: PBT , 30 % G.F polyester, Black.
(UL 94V-0 Rated)
- Contact: Phos. Bronze.
- Contact Plated: Gold Plated over 50u"
Nickel underplated.
- Solder Tail: Tin/Lead Plated 120u" over 50u"
Nickel underplated.
- Shell: Steel, Nickel Plated.
- Boardlock: Brass, Tin Plated 100u"
- Female Screwlock: Brass, Nickel plated 30u" Min.
- Four digit date code in this format.
Year 01 45 Manufacturing Week
- Solder Tail: Tin Plated 120u" over 50u"
Nickel underplated.



Tray	Detail	Finish	Part No
Tray	Detail B	30 μ"	6-748481-7
Tray	Detail C	Gold flash	2-748481-7
Tray	Detail C	15 μ"	2-748481-6
Tray	Detail A	Gold flash	2-748481-5
Tray	Detail A	15 μ"	2-748481-4
Tray	Detail B	Gold flash	2-748481-3
Tray	Detail B	15 μ"	2-748481-2
Tray	Detail C	30 μ"	1-748481-9
Tray	Detail A	30 μ"	748481-6
Tray	Detail B	30 μ"	748481-5
Packaging	Mounting Flange	Contact Finish	AMP Part NO

THIS DRAWING IS A CONTROLLED DOCUMENT.

DWN	J.BURWELL	20JUNE02		Tyco Electronics Corporation
CHK	C.CASH	20JUNE02		City, State, Zip
APVD	-	-	NAME	AMPLIMITE HD-22
PRODUCT SPEC	-	-	APPLICATION SPEC	26 POS RECEPTACLE, RIGHT ANGLE
WEIGHT	-	-	SIZE	A2
CUSTOMER DRAWING	-	-	CAGE CODE	00779
			DRAWING NO	C=748481
			RESTRICTED TO	-
			SCALE	1:1
			SHEET	1 OF 1
			REV	AB